



TM

# Zep Solar

## Zep System II Code Compliance Letter

U.S. California

R. Jeremy Rogelstad, PE  
128 Chelsea Hills Dr.  
Benicia, CA 94510

January 6, 2012

Zep Solar, Inc.  
161 Mitchell Blvd. Ste. 104  
San Rafael, CA 94903

Re: Zep System II Code Compliance Review

To whom it may concern:

The Zep System II photovoltaic mounting system has been reviewed and it was determined that, for the configurations and criteria below, it is in compliance with the structural requirements of the 2009 International Building Code and ASCE 7-05. The system has also been evaluated for conformance with the 2010 California Building Code where more stringent requirements may apply.

Zep System II consists of Leveling Feet, Interlocks, and Hybrid Interlocks that connect the edge frames of photovoltaic modules designed to mate with Zep System II. The system has been analyzed for Zep Compatible PV modules with maximum dimensions of 992 millimeters by 1650 millimeters. The leveling feet may be mounted to the following roof types with the methods listed:

--Composition Shingles

- Leveling Foot mounted directly to the roof and screwed to the roof framing with stainless steel lag screws.
- Leveling Foot bolted with a stainless steel machine bolt to a Comp Mount flashing assembly with a 4" diameter base, manufactured by Quick Mount PV.

--Tile Roof

- Leveling Foot bolted with a stainless steel machine bolt to a Quick Mount PV Universal Tile Mount.

--Metal Roof

- Leveling Foot mounted directly to the pan of a standing seam metal roof and screwed to the framing with stainless steel lag screws.

- Leveling Foot bolted with a stainless steel machine bolt to a standing seam roof via an S-5-S or S-5-E clamp by S-5!<sup>®</sup>.
- Leveling Foot mounted to a Schletter Inc. Fix2000 attached to a trapezoidal metal roof with screws provided by Schletter Inc.

The attached tables define maximum Leveling Foot spacing requirements for a range of wind exposure categories, wind speeds, roof zones, roof slopes, and ground snow loads. The Leveling Foot spacing in the tables are calculated based on an allowable upward, downward, and lateral load values. These load values are determined from manufacturer provided test data for independently manufactured products, first principle calculations, and from tests conducted at an independent testing laboratory under ICC AC-13 guidelines. The tables are based on the conditions illustrated in the attached sketches and listed below:

1. Wind exposure categories B, C, and D are as defined by ASCE 7-05.
2. Roof wind area zones 1 (interior), 2 (edge), and 3 (corner) are as defined by ASCE 7-05.
3. Roof Height is 30 feet and roof slope is between 0 degrees (flat) and 45 degrees (12:12). See tables for specific slope subsets [0-14° (flat to 3:12), >14-27° (>3:12 to 6:12), >27-37° (>6:12 to 9:12), >37-45° (>9:12 to 12:12)]. For average roof heights greater than 30 feet contact Zep Solar for reduced spans.
4. Tables 1, 3, 5, and 7 apply to modules installed in “landscape” orientation, with the long sides of the modules perpendicular to roof rafters that run with the roof slope (see sketch 1). Tables 2, 4, 6, and 8 apply to modules installed in “portrait” orientation, with long sides running with the rafters and roof slope. In both module orientations, the Leveling Feet and Interlocks are positioned on the module edges that run cross-slope, perpendicular to the roof rafters.
5. Building is not a special occupancy structure such as a public school, public safety building or assembly building (i.e. Snow and Wind Importance factors = 1.0 per ASCE 7-05). For Occupancy Category III buildings, such as public schools (Snow and Wind Importance Factors =1.10 and 1.15 respectively), reduce foot spacing to 87% of that shown in the attached span tables.
6. Building is not located on a bluff or near the top of a hill (i.e. Topographic Factor = 1.0 per ASCE 7-05).
7. The bottom of the “Rockit” is a maximum of 1 ¼” above the top of the leveling foot as shown on sheet 3.
8. The tables apply to wood framed roofs with composition shingles, Wood sawn shingles, built up roofing, membrane roofs, curved tile roofs, and metal standing seam roofs with a minimum thickness of 26 gage underlain by plywood, oriented

- strand board, or 1x continuous sheathing. Wood shingles may require longer lag screws to achieve minimum required embedment. The tables also apply to metal trapezoidal roofs. Trapezoidal roofs are to be a minimum of 22 gage. The tables assume that the attachment of the metal roof to the framing is sufficient to resist the applied loads for the Schletter Fix2000 and S-5! clamps.
9. Direct Mount span tables may be applied to third party flashings provided that the flashing is attached using a 5/16" diameter lag screw with a 2 1/2" embedment.
  10. The Direct Mount span tables may also be applied to the flat pans of metal roofs between seams or raised flutes underlain by sheathing or wood rafters, provided the lag screw into the rafter is installed at the uphill end of the slot in the foot. To resist cross slope ("east-west") seismic and wind loads for direct mounting, one pair of feet shall be rotated 30 to 45 degrees off the slope line in opposing directions in each row between thermal joints.
  11. Lag screws are installed per the requirements of the 2005 National Design Specification for Wood Construction (NDS). Pre-drill with 3/16" or 7/32" diameter pilot holes.
  12. Lag screws are fastened into wood roof rafters of competent material with a specific gravity of 0.42 or greater (e.g. Douglas Fir, Hem-Fir, Close Grain Redwood, Southern Pine, and Spruce-Pine-Fir graded by NLGA of British Columbia). Caveat: some roof framing softwoods commonly used in some areas of the central and eastern United States may have a lower specific gravity, such as Spruce-Pine-Fir (South), with a specific gravity of 0.36. In such a case, the tables still apply if a 5/16" diameter x 5" long stainless steel lag screw with a 3" thread is used.
  13. Seismic code load requirements for Zep System II are met for all configurations in the attached tables for the range of seismic design parameters typically encountered in the United States, including seismically active areas ( $S_{DS}$  parameter up to 2.0 in areas with ground snow loads less than 40 psf;  $S_{DS}$  parameter up to 1.5 in areas with ground snow loads between 40 and 100 psf).
  14. Installer is responsible for verifying that all assumptions and limitations are met when applying the attached foot spacing tables.
  15. Conditions outside the assumptions and limitations listed and illustrated for the attached tables may be feasible, but shall be designed in consultation with Zep Solar, and, where appropriate, reviewed by a licensed professional engineer.
  16. Adequacy of the supporting wood framing is to be determined by others. However, because the photovoltaic modules used with the Zep System II weigh only approximately 2.5 psf and displace roof live loads of 12 to 20 psf, structural re-analysis of the roof framing system should prove unnecessary in most cases. In areas

January 6, 2012

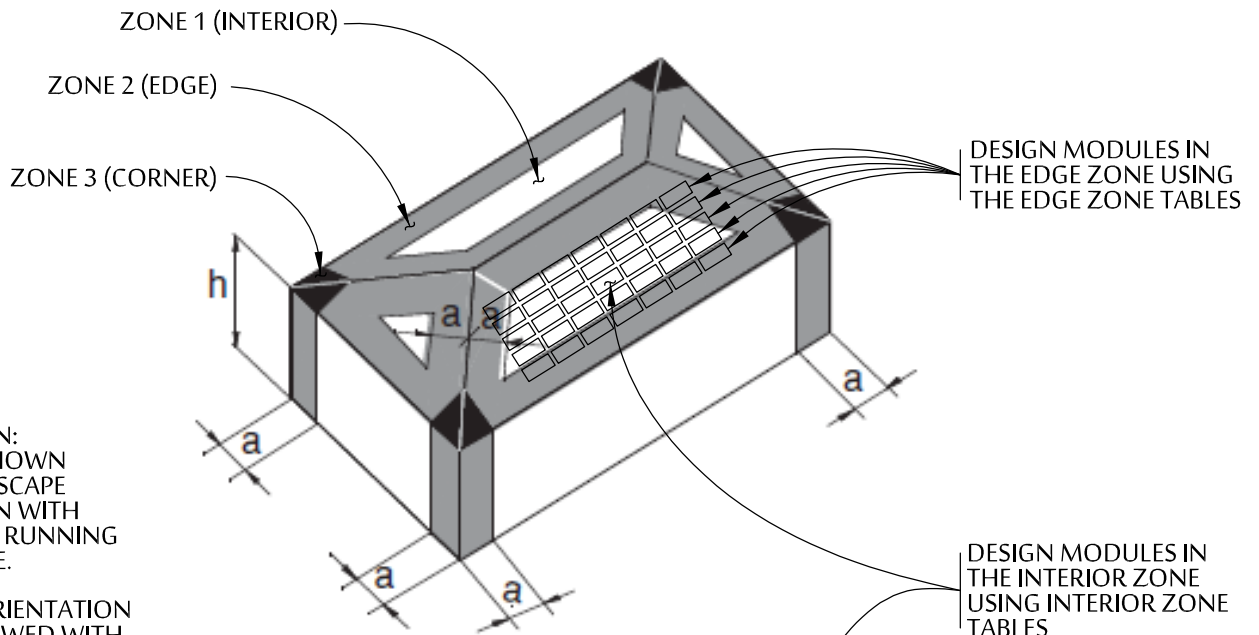
of heavy snow load, leveling feet at adjacent rows should be staggered to distribute snow loads more evenly over all rafters.

Sincerely,



Jeremy Rogelstad



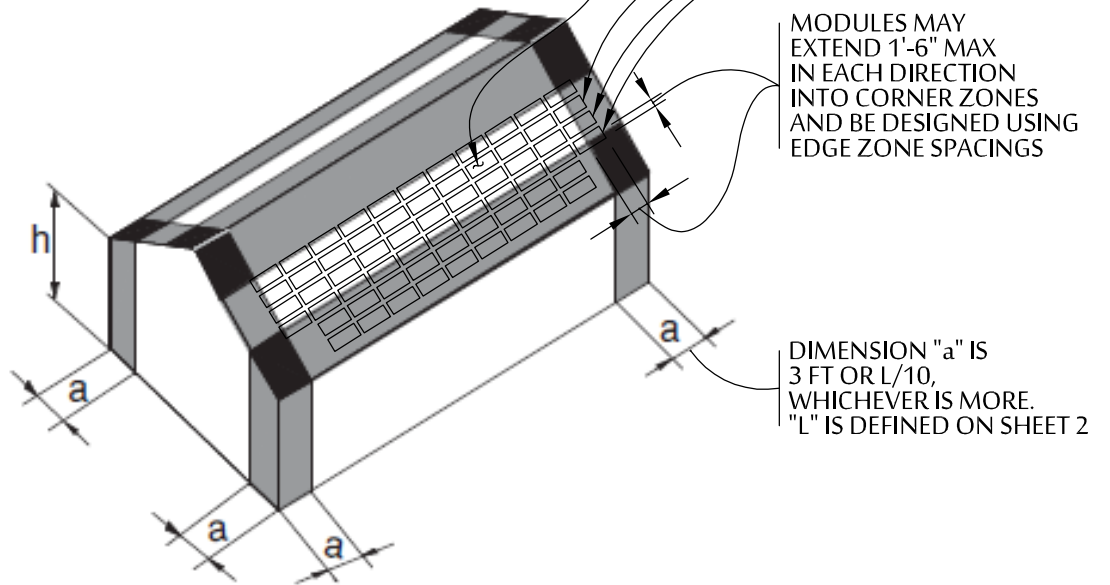


MODULE ORIENTATION: MODULES SHOWN ARE IN LANDSCAPE ORIENTATION WITH LONG EDGES RUNNING CROSS-SLOPE.

PORTRAIT ORIENTATION IS ALSO ALLOWED WITH SHORT EDGES RUNNING CROSS-SLOPE.

NOTE: SEPARATE SPAN TABLES ARE PROVIDED FOR LANDSCAPE AND PORTRAIT ORIENTATIONS

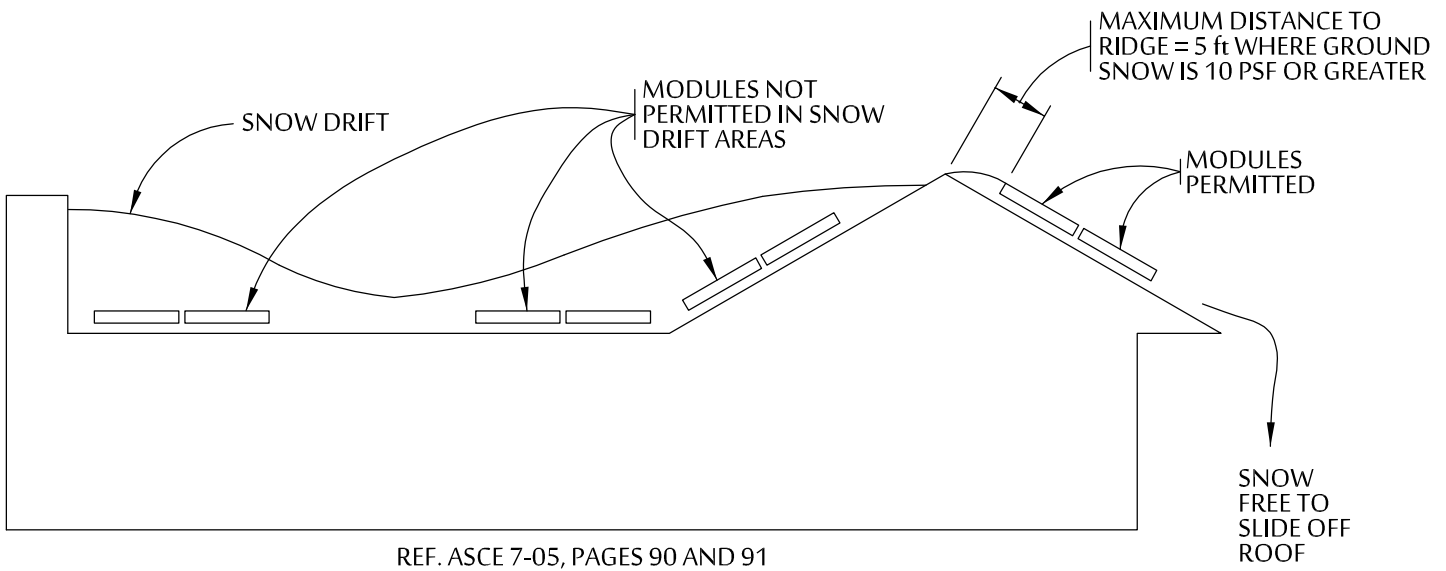
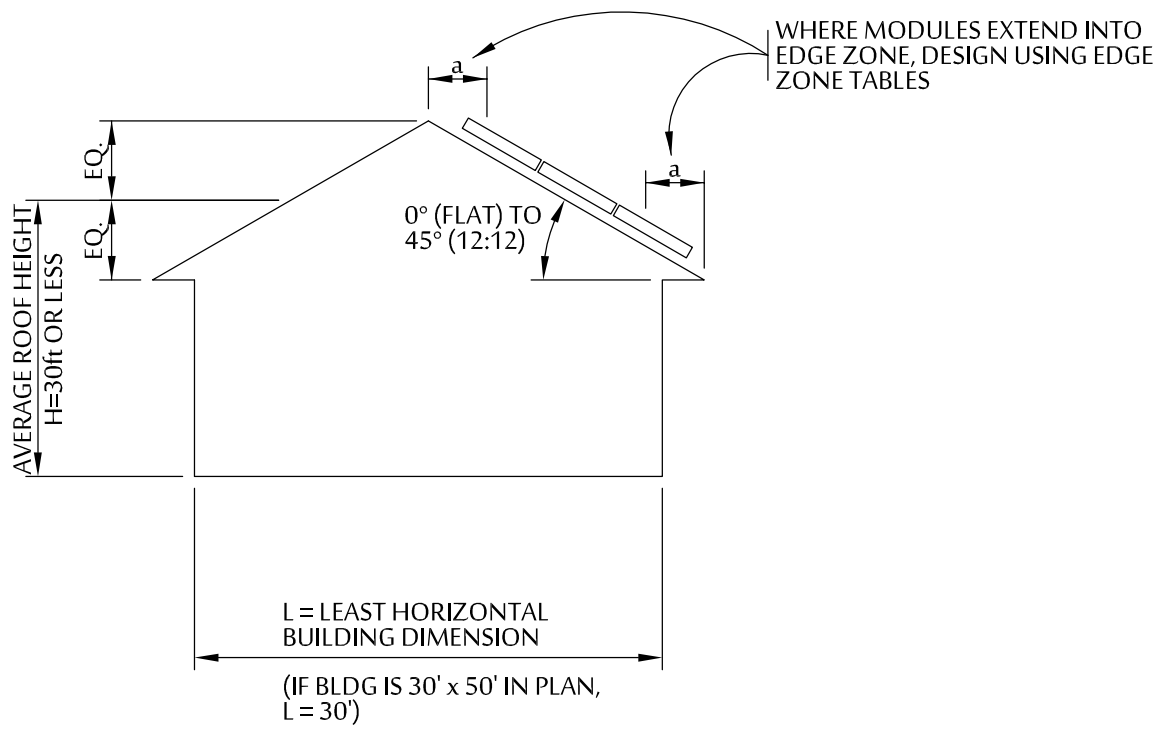
**Hip Roof ( $7^\circ < \theta \leq 27^\circ$ )**



**Gable Roof ( $7^\circ < \theta \leq 45^\circ$ )**

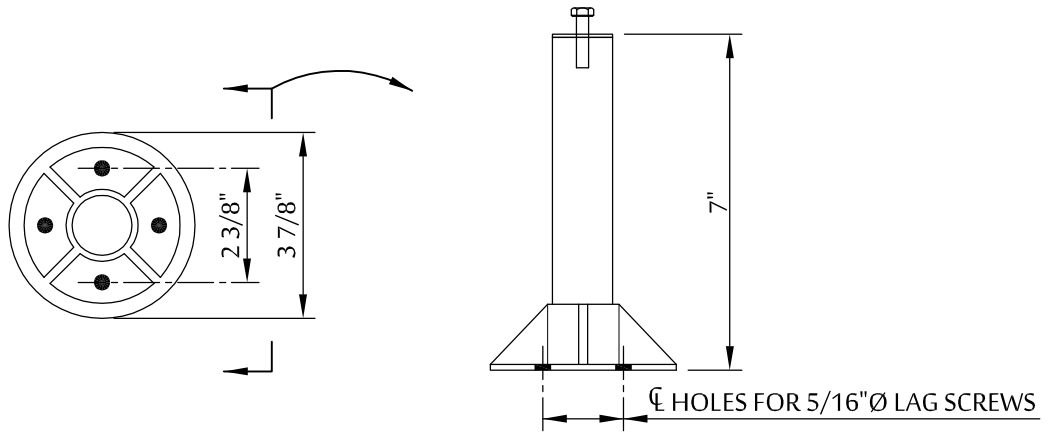
REF. ASCE 7-05, PAGE 41

**ROOF ZONE DEFINITIONS**

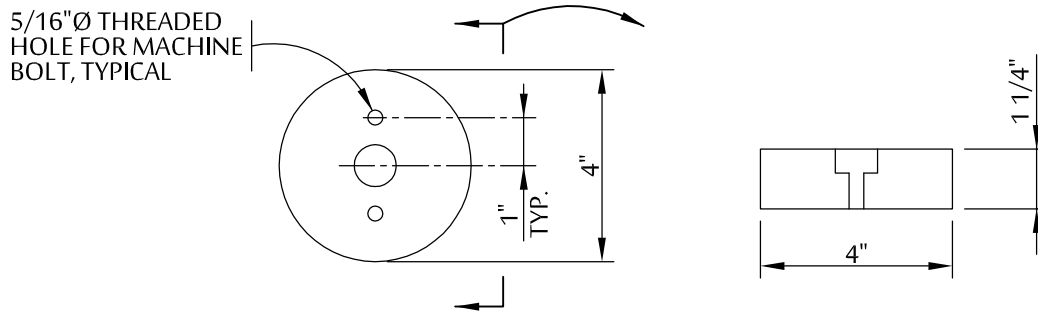


REF. ASCE 7-05, PAGES 90 AND 91

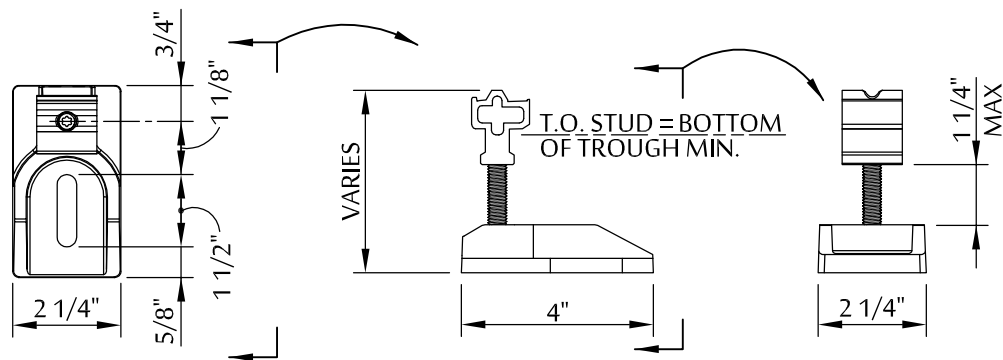
# PERMITTED MODULE LOCATIONS ON ROOF



## UNIVERSAL TILE MOUNT BY QUICK MOUNT

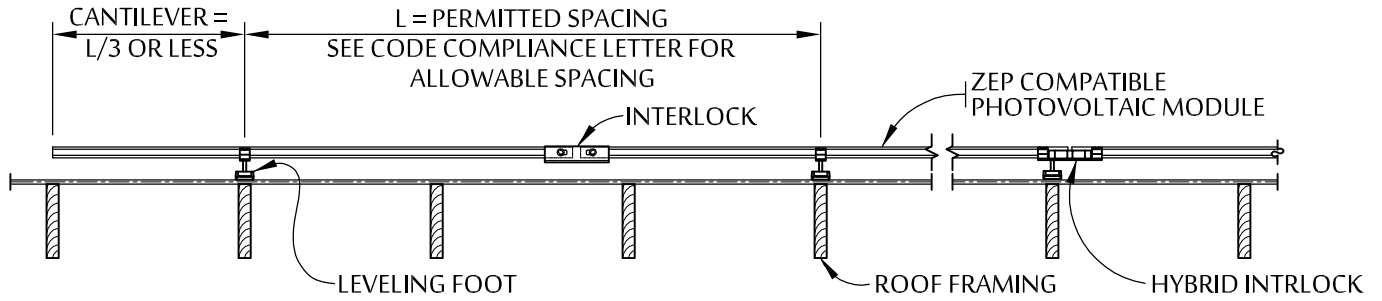


## COMP. MOUNT BY QUICK MOUNT

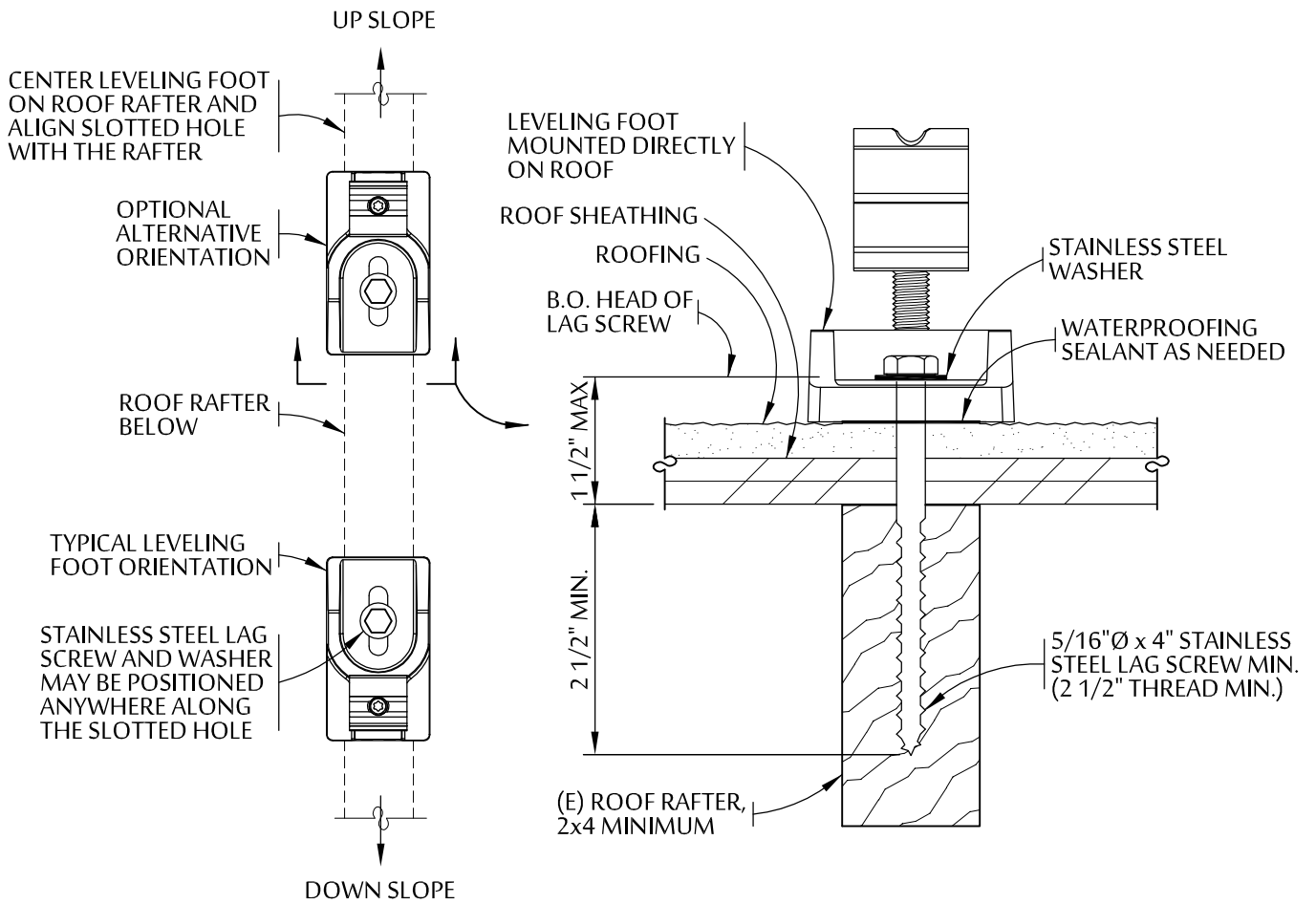


## LEVELING FOOT

## KEY DIMENSIONS OF REFERENCED PRODUCTS

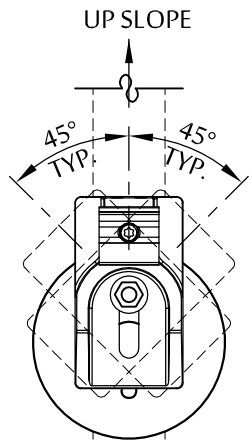


## LIMITS ON CANTILEVER

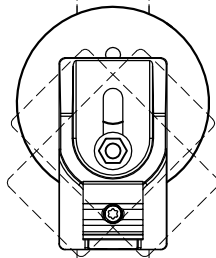


### PERMITTED ORIENTATIONS

## LEVELING FOOT MOUNTED DIRECTLY ON ROOF



OPTIONAL  
ALTERNATE  
ORIENTATION

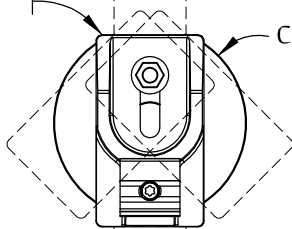


OPTIONAL  
ALTERNATE  
ORIENTATION

ROOF RAFTER

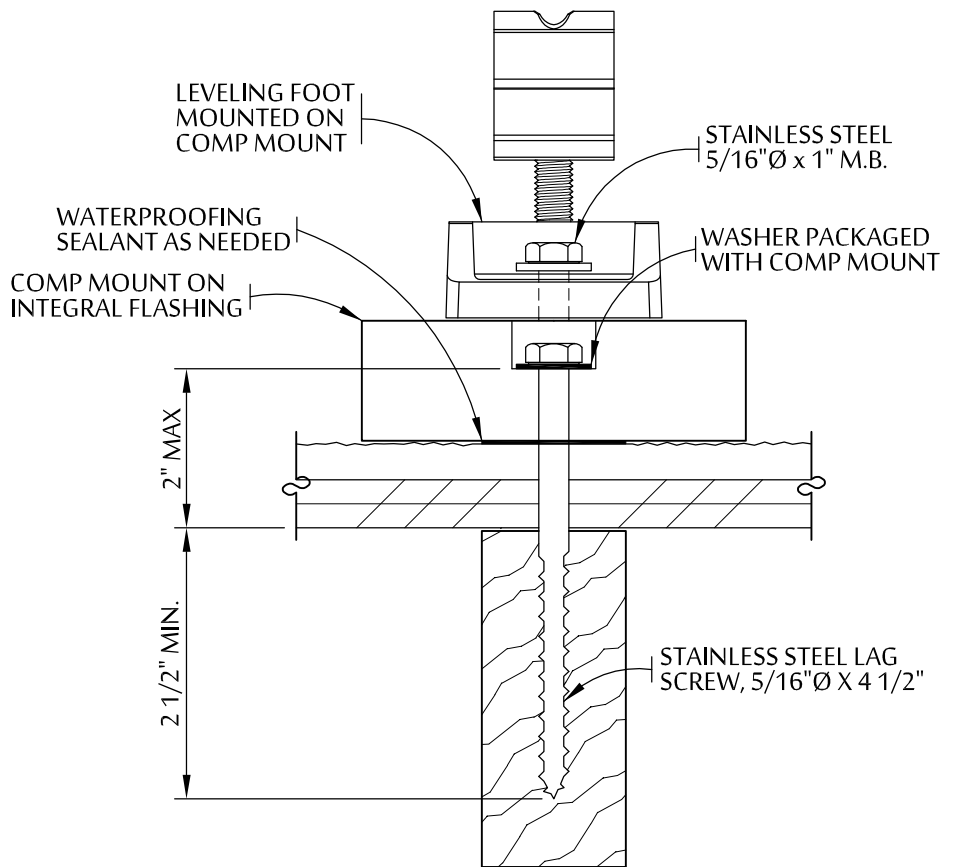
LEVELING FOOT ON  
COMP MOUNT

COMP MOUNT

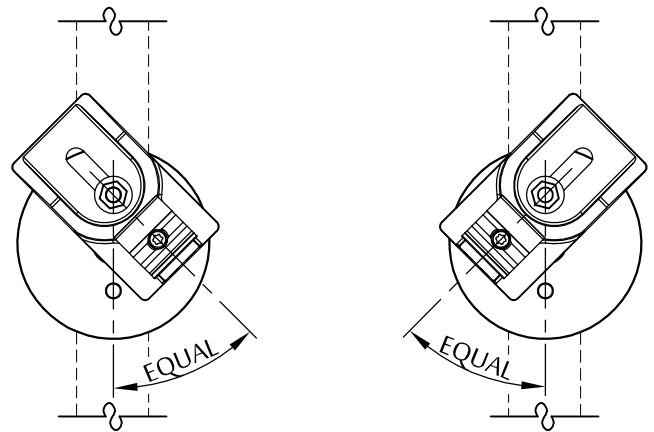


TYPICAL ORIENTATION

DOWN SLOPE



LEVELING FOOT ON COMP MOUNT

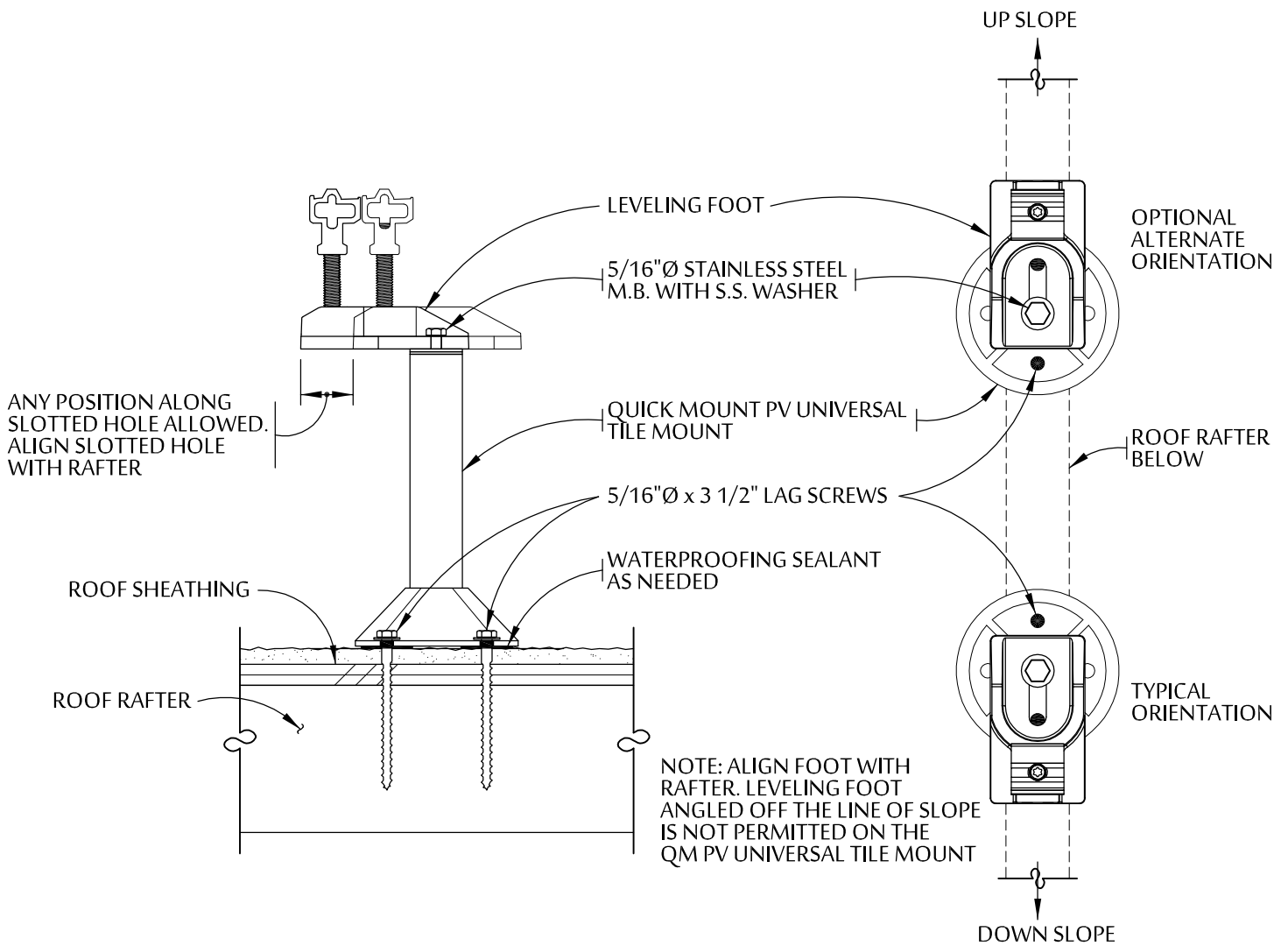


NOTE: IF LEVELING FOOT IS ANGLED OFF SLOPE LINE, IT SHALL BE PAIRED WITH ANOTHER LEVELING FOOT ANGLED THE OPPOSITE DIRECTION IN THE SAME ROW.

LEVELING FOOT ON COMP MOUNT AT ANGLE

LEVELING FOOT ON COMP MOUNT PERMITTED ORIENTATIONS

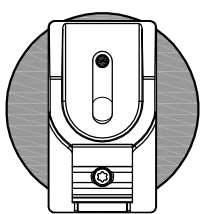
LEVELING FOOT ON COMP MOUNT  
PERMITTED ORIENTATIONS



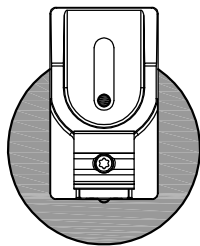
**LEVELING FOOT ON QUICK MOUNT PV UNIVERSAL TILE MOUNT PERMITTED ORIENTATIONS**

PERMITTED POSITIONS = A, B, AND C

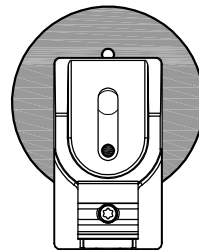
POSITION D NOT PERMITTED



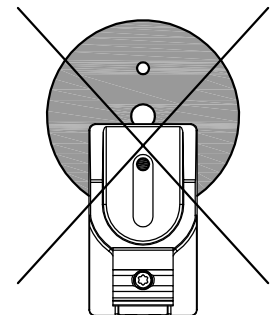
A



B

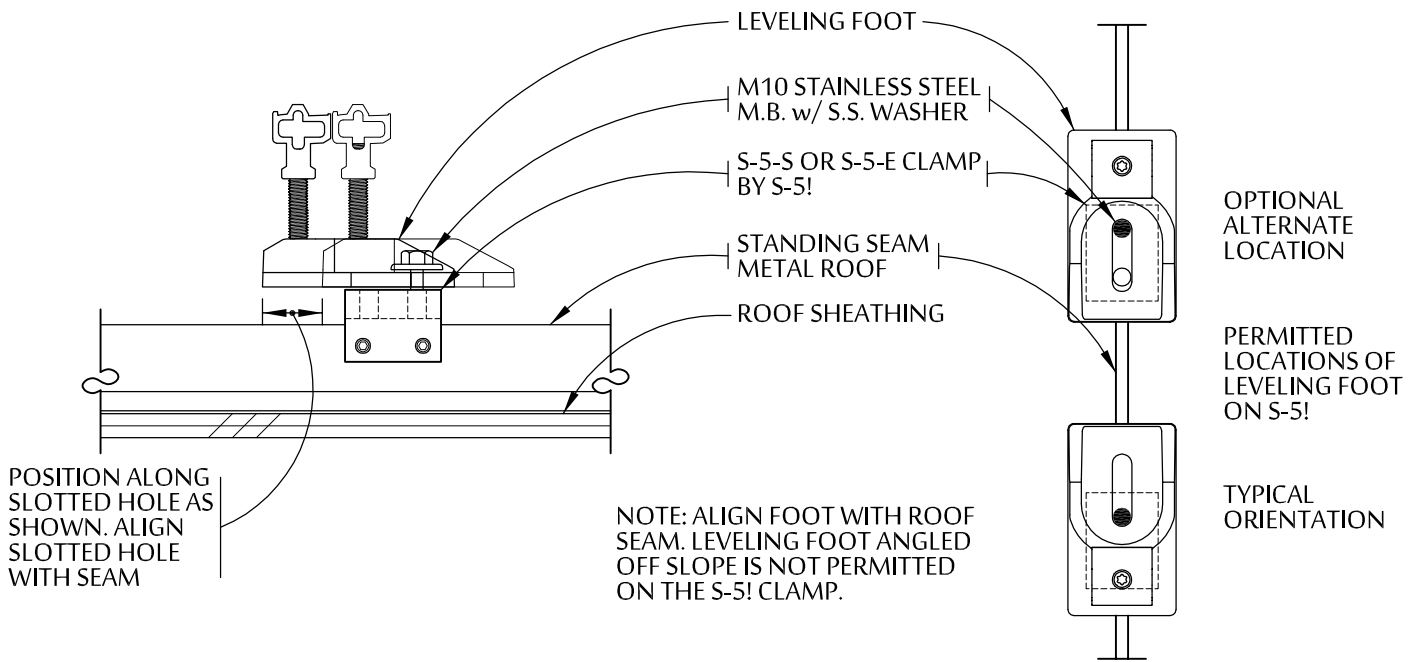


C

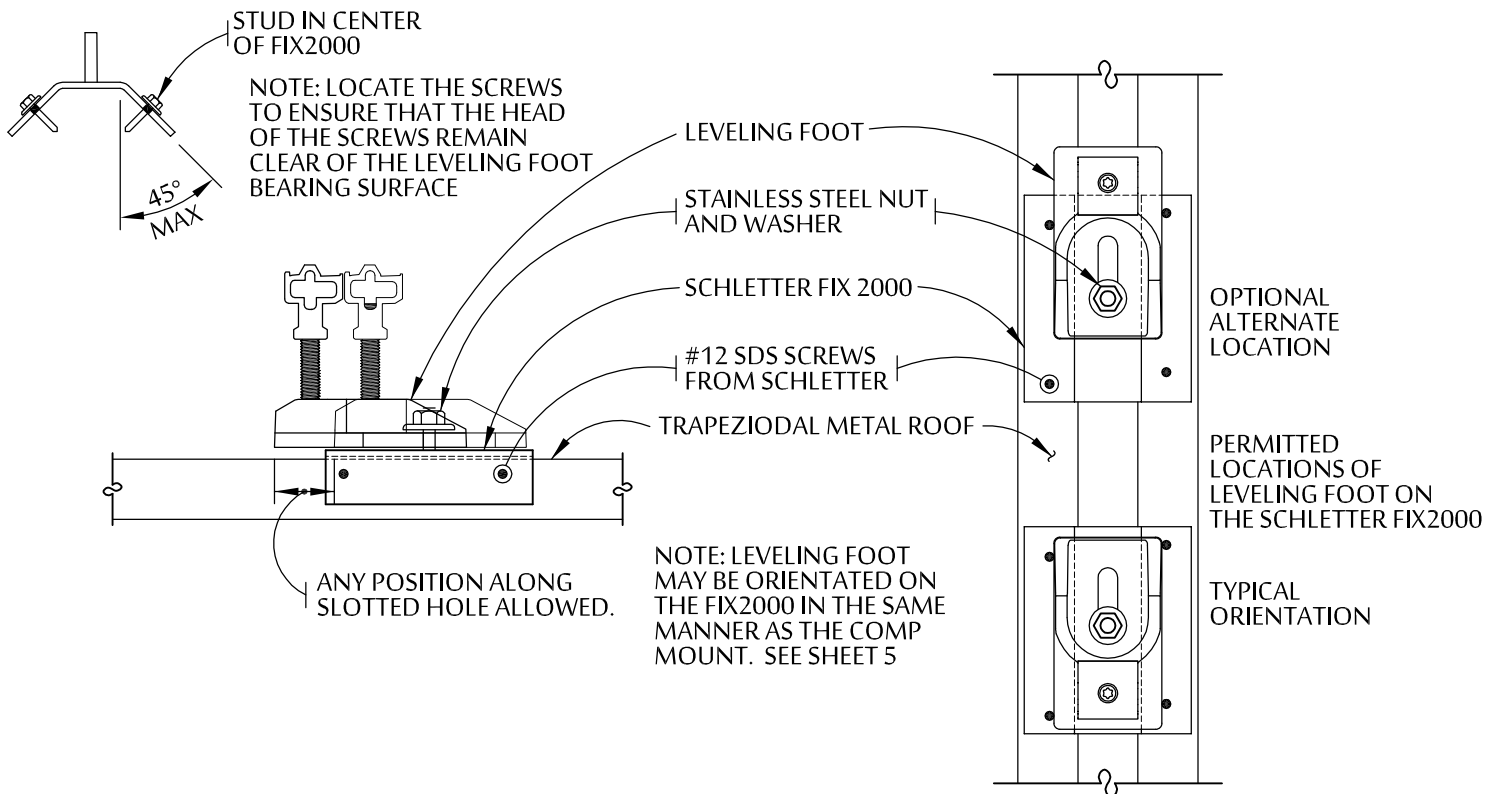


D

**LEVELING FOOT ON COMP MOUNT PERMITTED ORIENTATIONS**



## LEVELING FOOT ON S-5! CLAMP PERMITTED ORIENTATIONS



## LEVELING FOOT ON SCHLETTER FIX2000 PERMITTED ORIENTATIONS





Table 1.D Leveling Foot Max. Spacing, Landscape Orientation, Exposure D, Leveling Foot on Comp Mount or QM PV Universal Tile Mount

Exposure	Roof Zone	Slope	Ground Snow Load, p <sub>g</sub> (psf)	Basic Wind Speed (mph)							
				85	90	100	110	120	130	140	150
Exposure Category D	Roof Zone 1 - Interior	0 to 14 degrees (Flat to 3:12)	0	72"	72"	72"	68"	64"	56"	48"	44"
			10	72"	72"	72"	68"	64"	56"	48"	44"
			20	72"	72"	72"	68"	64"	56"	48"	44"
			30	72"	72"	72"	68"	64"	56"	48"	44"
			40	72"	72"	68"	68"	64"	56"	48"	44"
			50	68"	68"	64"	64"	60"	56"	48"	44"
			60	60"	60"	60"	60"	56"	52"	48"	44"
		70	56"	56"	56"	56"	52"	48"	48"	44"	
		>14 to 27 degrees (>3:12 to 6:12)	0	72"	72"	72"	72"	68"	60"	52"	48"
			10	72"	72"	72"	72"	68"	60"	52"	48"
			20	72"	72"	72"	72"	68"	60"	52"	48"
			30	72"	72"	72"	72"	68"	60"	52"	48"
			40	72"	72"	72"	72"	68"	60"	52"	48"
			50	64"	64"	64"	64"	64"	60"	52"	48"
			60	56"	56"	56"	56"	56"	56"	52"	48"
		70	48"	48"	48"	48"	48"	48"	48"	48"	
		>27 to 37 degrees (>6:12 to 9:12)	0	72"	72"	72"	68"	64"	56"	48"	44"
			10	72"	72"	72"	68"	64"	56"	48"	44"
			20	72"	72"	72"	68"	64"	56"	48"	44"
			30	72"	72"	72"	68"	64"	56"	48"	44"
			40	72"	72"	72"	68"	64"	56"	48"	44"
	50		68"	68"	68"	68"	64"	56"	48"	44"	
	60		56"	56"	56"	56"	56"	56"	48"	44"	
	70	48"	48"	48"	48"	48"	48"	48"	44"		
	>37 to 45 degrees (>9:12 to 12:12)	0	72"	72"	72"	68"	64"	56"	48"	44"	
		10	72"	72"	72"	68"	64"	56"	48"	44"	
		20	72"	72"	72"	68"	64"	56"	48"	44"	
		30	72"	72"	72"	68"	64"	56"	48"	44"	
		40	72"	72"	72"	68"	64"	56"	48"	44"	
		50	72"	72"	72"	68"	64"	56"	48"	44"	
		60	68"	68"	68"	68"	64"	56"	48"	44"	
	70	60"	60"	60"	60"	60"	56"	48"	44"		
	Roof Zone 2 - Edge	0 to 14 degrees (Flat to 3:12)	0	68"	64"	56"	48"	40"	28"	16"	N/A
			10	68"	64"	56"	48"	40"	28"	16"	N/A
			20	68"	64"	56"	48"	40"	28"	16"	N/A
			30	68"	64"	56"	48"	40"	28"	16"	N/A
			40	68"	64"	56"	48"	40"	28"	16"	N/A
			50	68"	64"	56"	48"	40"	28"	16"	N/A
			60	60"	60"	56"	48"	40"	28"	16"	N/A
		70	56"	56"	56"	48"	40"	28"	16"	N/A	
		>14 to 27 degrees (>3:12 to 6:12)	0	72"	68"	60"	52"	40"	32"	20"	N/A
			10	72"	68"	60"	52"	40"	32"	20"	N/A
20			72"	68"	60"	52"	40"	32"	20"	N/A	
30			72"	68"	60"	52"	40"	32"	20"	N/A	
40			72"	68"	60"	52"	40"	32"	20"	N/A	
50			64"	64"	60"	52"	40"	32"	20"	N/A	
60			56"	56"	56"	52"	40"	32"	20"	N/A	
70		48"	48"	48"	48"	40"	32"	20"	N/A		
>27 to 37 degrees (>6:12 to 9:12)		0	72"	72"	68"	64"	56"	48"	40"	32"	
		10	72"	72"	68"	64"	56"	48"	40"	32"	
		20	72"	72"	68"	64"	56"	48"	40"	32"	
		30	72"	72"	68"	64"	56"	48"	40"	32"	
		40	72"	72"	68"	64"	56"	48"	40"	32"	
	50	68"	68"	68"	64"	56"	48"	40"	32"		
	60	56"	56"	56"	56"	56"	48"	40"	32"		
70	48"	48"	48"	48"	48"	48"	40"	32"			
>37 to 45 degrees (>9:12 to 12:12)	0	72"	72"	68"	64"	56"	48"	40"	32"		
	10	72"	72"	68"	64"	56"	48"	40"	32"		
	20	72"	72"	68"	64"	56"	48"	40"	32"		
	30	72"	72"	68"	64"	56"	48"	40"	32"		
	40	72"	72"	68"	64"	56"	48"	40"	32"		
	50	72"	72"	68"	64"	56"	48"	40"	32"		
	60	68"	68"	68"	64"	56"	48"	40"	32"		
70	60"	60"	60"	60"	56"	48"	40"	32"			



Table 2.C Leveling Foot Max. Spacing, Portrait Orientation, Exposure C, Leveling Foot on Comp Mount or QM PV Universal Tile Mount

Exposure	Roof Zone	Slope	Ground Snow Load, p <sub>g</sub> (psf)	Basic Wind Speed (mph)							
				85	90	100	110	120	130	140	150
Exposure Category C	Roof Zone 1 - Interior	0 to 14 degrees (Flat to 3:12)	0	72"	72"	72"	64"	56"	48"	36"	24"
			10	72"	72"	72"	64"	56"	48"	36"	24"
			20	72"	72"	68"	64"	56"	48"	36"	24"
			30	68"	68"	64"	60"	56"	48"	36"	24"
			40	60"	60"	56"	52"	48"	44"	36"	24"
			50	48"	48"	48"	44"	40"	36"	32"	24"
			60	36"	36"	36"	36"	32"	28"	24"	16"
		70	24"	24"	24"	24"	24"	20"	12"	N/A	
		>14 to 27 degrees (>3:12 to 6:12)	0	72"	72"	72"	68"	60"	52"	40"	32"
			10	72"	72"	72"	68"	60"	52"	40"	32"
			20	72"	72"	72"	68"	60"	52"	40"	32"
			30	56"	56"	56"	56"	56"	52"	40"	32"
			40	40"	40"	40"	40"	40"	40"	40"	32"
			50	32"	32"	32"	32"	32"	32"	32"	32"
			60	28"	28"	28"	28"	28"	28"	28"	28"
		70	24"	24"	24"	24"	24"	24"	24"	24"	
		>27 to 37 degrees (>6:12 to 9:12)	0	72"	72"	72"	64"	56"	44"	36"	24"
			10	72"	72"	72"	64"	56"	44"	36"	24"
			20	72"	72"	72"	64"	56"	44"	36"	24"
			30	56"	56"	56"	56"	56"	44"	36"	24"
			40	44"	44"	44"	44"	44"	44"	36"	24"
	50		36"	36"	36"	36"	36"	36"	36"	24"	
	60		32"	32"	32"	32"	32"	32"	32"	24"	
	70	24"	24"	24"	24"	24"	24"	24"	20"		
	>37 to 45 degrees (>9:12 to 12:12)	0	72"	72"	72"	64"	56"	44"	36"	24"	
		10	72"	72"	72"	64"	56"	44"	36"	24"	
		20	72"	72"	72"	64"	56"	44"	36"	24"	
		30	64"	64"	64"	64"	56"	44"	36"	24"	
		40	52"	52"	52"	52"	52"	44"	36"	24"	
		50	44"	44"	44"	44"	44"	44"	36"	24"	
		60	36"	36"	36"	36"	36"	36"	36"	24"	
	70	32"	32"	32"	32"	32"	32"	32"	24"		
	Roof Zone 2 - Edge	0 to 14 degrees (Flat to 3:12)	0	64"	60"	48"	32"	16"	N/A	N/A	N/A
			10	64"	60"	48"	32"	16"	N/A	N/A	N/A
			20	64"	60"	48"	32"	16"	N/A	N/A	N/A
			30	64"	60"	48"	32"	16"	N/A	N/A	N/A
			40	60"	60"	48"	32"	16"	N/A	N/A	N/A
			50	48"	48"	48"	32"	16"	N/A	N/A	N/A
			60	36"	36"	36"	32"	16"	N/A	N/A	N/A
		70	24"	24"	24"	24"	16"	N/A	N/A	N/A	
		>14 to 27 degrees (>3:12 to 6:12)	0	68"	60"	48"	36"	20"	N/A	N/A	N/A
			10	68"	60"	48"	36"	20"	N/A	N/A	N/A
20			68"	60"	48"	36"	20"	N/A	N/A	N/A	
30			56"	56"	48"	36"	20"	N/A	N/A	N/A	
40			40"	40"	40"	36"	20"	N/A	N/A	N/A	
50			32"	32"	32"	32"	20"	N/A	N/A	N/A	
60			28"	28"	28"	28"	20"	N/A	N/A	N/A	
70		24"	24"	24"	24"	20"	N/A	N/A	N/A		
>27 to 37 degrees (>6:12 to 9:12)		0	72"	72"	68"	56"	44"	32"	20"	N/A	
		10	72"	72"	68"	56"	44"	32"	20"	N/A	
		20	72"	72"	68"	56"	44"	32"	20"	N/A	
		30	56"	56"	56"	56"	44"	32"	20"	N/A	
		40	44"	44"	44"	44"	44"	32"	20"	N/A	
		50	36"	36"	36"	36"	36"	32"	20"	N/A	
		60	32"	32"	32"	32"	32"	32"	20"	N/A	
70		24"	24"	24"	24"	24"	24"	20"	N/A		
>37 to 45 degrees (>9:12 to 12:12)		0	72"	72"	68"	56"	44"	32"	20"	N/A	
		10	72"	72"	68"	56"	44"	32"	20"	N/A	
		20	72"	72"	68"	56"	44"	32"	20"	N/A	
		30	64"	64"	64"	56"	44"	32"	20"	N/A	
	40	52"	52"	52"	52"	44"	32"	20"	N/A		
	50	44"	44"	44"	44"	44"	32"	20"	N/A		
	60	36"	36"	36"	36"	36"	32"	20"	N/A		
70	32"	32"	32"	32"	32"	32"	20"	N/A			

Table 2.D Leveling Foot Max. Spacing, Portrait Orientation, Exposure D, Leveling Foot on Comp Mount or QM PV Universal Tile Mount

Exposure	Roof Zone	Slope	Ground Snow Load, p <sub>g</sub> (psf)	Basic Wind Speed (mph)							
				85	90	100	110	120	130	140	150
Exposure Category D	Roof Zone 1 - Interior	0 to 14 degrees (Flat to 3:12)	0	72"	72"	68"	56"	44"	32"	20"	N/A
			10	72"	72"	68"	56"	44"	32"	20"	N/A
			20	68"	68"	64"	56"	44"	32"	20"	N/A
			30	68"	68"	64"	56"	44"	32"	20"	N/A
			40	64"	60"	56"	52"	44"	32"	20"	N/A
			50	52"	52"	48"	44"	40"	32"	20"	N/A
			60	44"	44"	40"	36"	32"	28"	20"	N/A
			70	32"	32"	32"	28"	24"	20"	12"	N/A
		>14 to 27 degrees (>3:12 to 6:12)	0	72"	72"	72"	60"	52"	40"	28"	16"
			10	72"	72"	72"	60"	52"	40"	28"	16"
			20	72"	72"	72"	60"	52"	40"	28"	16"
			30	60"	60"	60"	60"	52"	40"	28"	16"
			40	48"	48"	48"	48"	48"	40"	28"	16"
			50	36"	36"	36"	36"	36"	36"	28"	16"
			60	32"	32"	32"	32"	32"	32"	28"	16"
			70	28"	28"	28"	28"	28"	28"	28"	16"
		>27 to 37 degrees (>6:12 to 9:12)	0	72"	72"	64"	56"	44"	32"	20"	N/A
			10	72"	72"	64"	56"	44"	32"	20"	N/A
			20	72"	72"	64"	56"	44"	32"	20"	N/A
			30	60"	60"	60"	56"	44"	32"	20"	N/A
			40	48"	48"	48"	48"	44"	32"	20"	N/A
			50	40"	40"	40"	40"	40"	32"	20"	N/A
			60	32"	32"	32"	32"	32"	32"	20"	N/A
			70	28"	28"	28"	28"	28"	28"	20"	N/A
	>37 to 45 degrees (>9:12 to 12:12)	0	72"	72"	64"	56"	44"	32"	20"	N/A	
		10	72"	72"	64"	56"	44"	32"	20"	N/A	
		20	72"	72"	64"	56"	44"	32"	20"	N/A	
		30	72"	72"	64"	56"	44"	32"	20"	N/A	
		40	56"	56"	56"	56"	44"	32"	20"	N/A	
		50	48"	48"	48"	48"	44"	32"	20"	N/A	
		60	40"	40"	40"	40"	40"	32"	20"	N/A	
		70	36"	36"	36"	36"	36"	32"	20"	N/A	
	Roof Zone 2 - Edge	0 to 14 degrees (Flat to 3:12)	0	56"	48"	32"	16"	N/A	N/A	N/A	N/A
			10	56"	48"	32"	16"	N/A	N/A	N/A	N/A
			20	56"	48"	32"	16"	N/A	N/A	N/A	N/A
			30	56"	48"	32"	16"	N/A	N/A	N/A	N/A
			40	56"	48"	32"	16"	N/A	N/A	N/A	N/A
			50	52"	48"	32"	16"	N/A	N/A	N/A	N/A
			60	44"	44"	32"	16"	N/A	N/A	N/A	N/A
			70	32"	32"	32"	16"	N/A	N/A	N/A	N/A
		>14 to 27 degrees (>3:12 to 6:12)	0	60"	52"	36"	20"	N/A	N/A	N/A	N/A
			10	60"	52"	36"	20"	N/A	N/A	N/A	N/A
			20	60"	52"	36"	20"	N/A	N/A	N/A	N/A
			30	60"	52"	36"	20"	N/A	N/A	N/A	N/A
			40	48"	48"	36"	20"	N/A	N/A	N/A	N/A
			50	36"	36"	36"	20"	N/A	N/A	N/A	N/A
			60	32"	32"	32"	20"	N/A	N/A	N/A	N/A
			70	28"	28"	28"	20"	N/A	N/A	N/A	N/A
>27 to 37 degrees (>6:12 to 9:12)		0	72"	68"	56"	44"	32"	20"	N/A	N/A	
		10	72"	68"	56"	44"	32"	20"	N/A	N/A	
		20	72"	68"	56"	44"	32"	20"	N/A	N/A	
		30	60"	60"	56"	44"	32"	20"	N/A	N/A	
		40	48"	48"	48"	44"	32"	20"	N/A	N/A	
		50	40"	40"	40"	40"	32"	20"	N/A	N/A	
		60	32"	32"	32"	32"	32"	20"	N/A	N/A	
		70	28"	28"	28"	28"	28"	20"	N/A	N/A	
>37 to 45 degrees (>9:12 to 12:12)	0	72"	68"	56"	44"	32"	20"	N/A	N/A		
	10	72"	68"	56"	44"	32"	20"	N/A	N/A		
	20	72"	68"	56"	44"	32"	20"	N/A	N/A		
	30	72"	68"	56"	44"	32"	20"	N/A	N/A		
	40	56"	56"	56"	44"	32"	20"	N/A	N/A		
	50	48"	48"	48"	44"	32"	20"	N/A	N/A		
	60	40"	40"	40"	40"	32"	20"	N/A	N/A		
	70	36"	36"	36"	36"	32"	20"	N/A	N/A		



Table 3.C Leveling Foot Max. Spacing, Landscape Orientation, Exposure C, Direct Mount

Exposure	Roof Zone	Slope	Ground Snow Load, p <sub>g</sub> (psf)	Basic Wind Speed (mph)							
				85	90	100	110	120	130	140	150
Exposure Category C	Roof Zone 1 - Interior	0 to 14 degrees (Flat to 3:12)	0	72"	72"	72"	72"	64"	56"	48"	40"
			10	72"	72"	72"	72"	64"	56"	48"	40"
			20	72"	72"	72"	72"	64"	56"	48"	40"
			30	72"	72"	72"	72"	64"	56"	48"	40"
			40	72"	72"	68"	68"	64"	56"	48"	40"
			50	64"	64"	64"	64"	60"	56"	48"	40"
			60	56"	56"	56"	56"	56"	52"	48"	40"
			70	52"	52"	52"	52"	52"	48"	48"	40"
		>14 to 27 degrees (>3:12 to 6:12)	0	72"	72"	72"	72"	72"	60"	52"	44"
			10	72"	72"	72"	72"	72"	60"	52"	44"
			20	72"	72"	72"	72"	72"	60"	52"	44"
			30	72"	72"	72"	72"	72"	60"	52"	44"
			40	72"	72"	72"	72"	72"	60"	52"	44"
			50	56"	56"	56"	56"	56"	56"	52"	44"
			60	48"	48"	48"	48"	48"	48"	48"	44"
			70	40"	40"	40"	40"	40"	40"	40"	40"
		>27 to 37 degrees (>6:12 to 9:12)	0	72"	72"	72"	72"	64"	56"	48"	40"
			10	72"	72"	72"	72"	64"	56"	48"	40"
			20	72"	72"	72"	72"	64"	56"	48"	40"
			30	72"	72"	72"	72"	64"	56"	48"	40"
			40	72"	72"	72"	72"	64"	56"	48"	40"
			50	60"	60"	60"	60"	60"	56"	48"	40"
			60	52"	52"	52"	52"	52"	52"	48"	40"
			70	44"	44"	44"	44"	44"	44"	44"	40"
	>37 to 45 degrees (>9:12 to 12:12)	0	72"	72"	72"	72"	64"	56"	48"	40"	
		10	72"	72"	72"	72"	64"	56"	48"	40"	
		20	72"	72"	72"	72"	64"	56"	48"	40"	
		30	72"	72"	72"	72"	64"	56"	48"	40"	
		40	72"	72"	72"	72"	64"	56"	48"	40"	
		50	72"	72"	72"	72"	64"	56"	48"	40"	
		60	64"	64"	64"	64"	64"	56"	48"	40"	
		70	56"	56"	56"	56"	56"	56"	48"	40"	
	Roof Zone 2 - Edge	0 to 14 degrees (Flat to 3:12)	0	72"	72"	56"	44"	36"	32"	28"	20"
			10	72"	72"	56"	44"	36"	32"	28"	20"
			20	72"	72"	56"	44"	36"	32"	28"	20"
			30	72"	72"	56"	44"	36"	32"	28"	20"
			40	72"	72"	56"	44"	36"	32"	28"	20"
			50	64"	64"	56"	44"	36"	32"	28"	20"
			60	56"	56"	56"	44"	36"	32"	28"	20"
			70	52"	52"	52"	44"	36"	32"	28"	20"
		>14 to 27 degrees (>3:12 to 6:12)	0	72"	72"	60"	48"	40"	32"	28"	24"
			10	72"	72"	60"	48"	40"	32"	28"	24"
			20	72"	72"	60"	48"	40"	32"	28"	24"
			30	72"	72"	60"	48"	40"	32"	28"	24"
			40	72"	72"	60"	48"	40"	32"	28"	24"
			50	56"	56"	56"	48"	40"	32"	28"	24"
			60	48"	48"	48"	48"	40"	32"	28"	24"
			70	40"	40"	40"	40"	40"	32"	28"	24"
>27 to 37 degrees (>6:12 to 9:12)		0	72"	72"	72"	68"	56"	48"	40"	36"	
		10	72"	72"	72"	68"	56"	48"	40"	36"	
		20	72"	72"	72"	68"	56"	48"	40"	36"	
		30	72"	72"	72"	68"	56"	48"	40"	36"	
		40	72"	72"	72"	68"	56"	48"	40"	36"	
		50	60"	60"	60"	60"	56"	48"	40"	36"	
		60	52"	52"	52"	52"	52"	48"	40"	36"	
		70	44"	44"	44"	44"	44"	44"	40"	36"	
>37 to 45 degrees (>9:12 to 12:12)	0	72"	72"	72"	68"	56"	48"	40"	36"		
	10	72"	72"	72"	68"	56"	48"	40"	36"		
	20	72"	72"	72"	68"	56"	48"	40"	36"		
	30	72"	72"	72"	68"	56"	48"	40"	36"		
	40	72"	72"	72"	68"	56"	48"	40"	36"		
	50	72"	72"	72"	68"	56"	48"	40"	36"		
	60	64"	64"	64"	64"	56"	48"	40"	36"		
	70	56"	56"	56"	56"	56"	48"	40"	36"		

Table 3.D Leveling Foot Max. Spacing, Landscape Orientation, Exposure D, Direct Mount

Exposure	Roof Zone	Slope	Ground Snow Load, p <sub>g</sub> (psf)	Basic Wind Speed (mph)							
				85	90	100	110	120	130	140	150
Exposure Category D	Roof Zone 1 - Interior	0 to 14 degrees (Flat to 3:12)	0	72"	72"	72"	64"	56"	48"	40"	32"
			10	72"	72"	72"	64"	56"	48"	40"	32"
			20	72"	72"	72"	64"	56"	48"	40"	32"
			30	72"	72"	72"	64"	56"	48"	40"	32"
			40	72"	72"	68"	64"	56"	48"	40"	32"
			50	68"	68"	64"	64"	56"	48"	40"	32"
			60	60"	60"	60"	60"	56"	48"	40"	32"
			70	56"	56"	56"	56"	52"	48"	40"	32"
		>14 to 27 degrees (>3:12 to 6:12)	0	72"	72"	72"	72"	60"	52"	44"	36"
			10	72"	72"	72"	72"	60"	52"	44"	36"
			20	72"	72"	72"	72"	60"	52"	44"	36"
			30	72"	72"	72"	72"	60"	52"	44"	36"
			40	72"	72"	72"	72"	60"	52"	44"	36"
			50	64"	64"	64"	64"	60"	52"	44"	36"
			60	56"	56"	56"	56"	56"	52"	44"	36"
			70	48"	48"	48"	48"	48"	48"	44"	36"
		>27 to 37 degrees (>6:12 to 9:12)	0	72"	72"	72"	64"	56"	44"	40"	32"
			10	72"	72"	72"	64"	56"	44"	40"	32"
			20	72"	72"	72"	64"	56"	44"	40"	32"
			30	72"	72"	72"	64"	56"	44"	40"	32"
			40	72"	72"	72"	64"	56"	44"	40"	32"
			50	68"	68"	68"	64"	56"	44"	40"	32"
			60	56"	56"	56"	56"	56"	44"	40"	32"
			70	48"	48"	48"	48"	48"	44"	40"	32"
	>37 to 45 degrees (>9:12 to 12:12)	0	72"	72"	72"	64"	56"	44"	40"	32"	
		10	72"	72"	72"	64"	56"	44"	40"	32"	
		20	72"	72"	72"	64"	56"	44"	40"	32"	
		30	72"	72"	72"	64"	56"	44"	40"	32"	
		40	72"	72"	72"	64"	56"	44"	40"	32"	
		50	72"	72"	72"	64"	56"	44"	40"	32"	
		60	68"	68"	68"	64"	56"	44"	40"	32"	
		70	60"	60"	60"	60"	56"	44"	40"	32"	
	Roof Zone 2 - Edge	0 to 14 degrees (Flat to 3:12)	0	64"	60"	48"	36"	32"	28"	16"	N/A
			10	64"	60"	48"	36"	32"	28"	16"	N/A
			20	64"	60"	48"	36"	32"	28"	16"	N/A
			30	64"	60"	48"	36"	32"	28"	16"	N/A
			40	64"	60"	48"	36"	32"	28"	16"	N/A
			50	64"	60"	48"	36"	32"	28"	16"	N/A
			60	60"	60"	48"	36"	32"	28"	16"	N/A
			70	56"	56"	48"	36"	32"	28"	16"	N/A
		>14 to 27 degrees (>3:12 to 6:12)	0	68"	60"	48"	40"	32"	28"	20"	N/A
			10	68"	60"	48"	40"	32"	28"	20"	N/A
			20	68"	60"	48"	40"	32"	28"	20"	N/A
			30	68"	60"	48"	40"	32"	28"	20"	N/A
			40	68"	60"	48"	40"	32"	28"	20"	N/A
			50	64"	60"	48"	40"	32"	28"	20"	N/A
			60	56"	56"	48"	40"	32"	28"	20"	N/A
			70	48"	48"	48"	40"	32"	28"	20"	N/A
>27 to 37 degrees (>6:12 to 9:12)		0	72"	72"	68"	56"	44"	40"	32"	28"	
		10	72"	72"	68"	56"	44"	40"	32"	28"	
		20	72"	72"	68"	56"	44"	40"	32"	28"	
		30	72"	72"	68"	56"	44"	40"	32"	28"	
		40	72"	72"	68"	56"	44"	40"	32"	28"	
		50	68"	68"	68"	56"	44"	40"	32"	28"	
		60	56"	56"	56"	56"	44"	40"	32"	28"	
		70	48"	48"	48"	48"	44"	40"	32"	28"	
>37 to 45 degrees (>9:12 to 12:12)	0	72"	72"	68"	56"	44"	40"	32"	28"		
	10	72"	72"	68"	56"	44"	40"	32"	28"		
	20	72"	72"	68"	56"	44"	40"	32"	28"		
	30	72"	72"	68"	56"	44"	40"	32"	28"		
	40	72"	72"	68"	56"	44"	40"	32"	28"		
	50	72"	72"	68"	56"	44"	40"	32"	28"		
	60	68"	68"	68"	56"	44"	40"	32"	28"		
	70	60"	60"	60"	56"	44"	40"	32"	28"		



Table 4.C Leveling Foot Max. Spacing, Portrait Orientation, Exposure C, Direct Mount

Exposure	Roof Zone	Slope	Ground Snow Load, p <sub>g</sub> (psf)	Basic Wind Speed (mph)							
				85	90	100	110	120	130	140	150
Exposure Category C	Roof Zone 1 - Interior	0 to 14 degrees (Flat to 3:12)	0	72"	72"	56"	48"	40"	32"	28"	24"
			10	72"	72"	56"	48"	40"	32"	28"	24"
			20	72"	72"	56"	48"	40"	32"	28"	24"
			30	68"	68"	56"	48"	40"	32"	28"	24"
			40	60"	60"	56"	48"	40"	32"	28"	24"
			50	48"	48"	48"	44"	40"	32"	28"	24"
			60	36"	36"	36"	36"	32"	28"	24"	16"
		70	24"	24"	24"	24"	24"	20"	12"	N/A	
		>14 to 27 degrees (>3:12 to 6:12)	0	72"	72"	64"	52"	44"	36"	32"	28"
			10	72"	72"	64"	52"	44"	36"	32"	28"
			20	72"	72"	64"	52"	44"	36"	32"	28"
			30	56"	56"	56"	52"	44"	36"	32"	28"
			40	40"	40"	40"	40"	40"	36"	32"	28"
			50	32"	32"	32"	32"	32"	32"	32"	28"
			60	28"	28"	28"	28"	28"	28"	28"	28"
		70	24"	24"	24"	24"	24"	24"	24"	24"	
		>27 to 37 degrees (>6:12 to 9:12)	0	72"	72"	56"	48"	40"	32"	28"	24"
			10	72"	72"	56"	48"	40"	32"	28"	24"
			20	72"	72"	56"	48"	40"	32"	28"	24"
			30	56"	56"	56"	48"	40"	32"	28"	24"
			40	44"	44"	44"	44"	40"	32"	28"	24"
	50		36"	36"	36"	36"	36"	32"	28"	24"	
	60		32"	32"	32"	32"	32"	32"	28"	24"	
	70	24"	24"	24"	24"	24"	24"	24"	20"		
	>37 to 45 degrees (>9:12 to 12:12)	0	72"	72"	56"	48"	40"	32"	28"	24"	
		10	72"	72"	56"	48"	40"	32"	28"	24"	
		20	72"	72"	56"	48"	40"	32"	28"	24"	
		30	64"	64"	56"	48"	40"	32"	28"	24"	
		40	52"	52"	52"	48"	40"	32"	28"	24"	
		50	44"	44"	44"	44"	40"	32"	28"	24"	
		60	36"	36"	36"	36"	36"	32"	28"	24"	
	70	32"	32"	32"	32"	32"	32"	28"	24"		
	Roof Zone 2 - Edge	0 to 14 degrees (Flat to 3:12)	0	48"	40"	32"	28"	16"	N/A	N/A	N/A
			10	48"	40"	32"	28"	16"	N/A	N/A	N/A
			20	48"	40"	32"	28"	16"	N/A	N/A	N/A
			30	48"	40"	32"	28"	16"	N/A	N/A	N/A
			40	48"	40"	32"	28"	16"	N/A	N/A	N/A
			50	48"	40"	32"	28"	16"	N/A	N/A	N/A
			60	36"	36"	32"	28"	16"	N/A	N/A	N/A
		70	24"	24"	24"	24"	16"	N/A	N/A	N/A	
		>14 to 27 degrees (>3:12 to 6:12)	0	48"	44"	36"	28"	20"	N/A	N/A	N/A
			10	48"	44"	36"	28"	20"	N/A	N/A	N/A
20			48"	44"	36"	28"	20"	N/A	N/A	N/A	
30			48"	44"	36"	28"	20"	N/A	N/A	N/A	
40			40"	40"	36"	28"	20"	N/A	N/A	N/A	
50			32"	32"	32"	28"	20"	N/A	N/A	N/A	
60			28"	28"	28"	28"	20"	N/A	N/A	N/A	
70		24"	24"	24"	24"	20"	N/A	N/A	N/A		
>27 to 37 degrees (>6:12 to 9:12)		0	68"	60"	48"	40"	32"	28"	20"	N/A	
		10	68"	60"	48"	40"	32"	28"	20"	N/A	
		20	68"	60"	48"	40"	32"	28"	20"	N/A	
		30	56"	56"	48"	40"	32"	28"	20"	N/A	
		40	44"	44"	44"	40"	32"	28"	20"	N/A	
	50	36"	36"	36"	36"	32"	28"	20"	N/A		
	60	32"	32"	32"	32"	32"	28"	20"	N/A		
70	24"	24"	24"	24"	24"	24"	20"	N/A			
>37 to 45 degrees (>9:12 to 12:12)	0	68"	60"	48"	40"	32"	28"	20"	N/A		
	10	68"	60"	48"	40"	32"	28"	20"	N/A		
	20	68"	60"	48"	40"	32"	28"	20"	N/A		
	30	64"	60"	48"	40"	32"	28"	20"	N/A		
	40	52"	52"	48"	40"	32"	28"	20"	N/A		
	50	44"	44"	44"	40"	32"	28"	20"	N/A		
	60	36"	36"	36"	36"	32"	28"	20"	N/A		
70	32"	32"	32"	32"	32"	28"	20"	N/A			

Table 4.D Leveling Foot Max. Spacing, Portrait Orientation, Exposure D, Direct Mount

Exposure	Roof Zone	Slope	Ground Snow Load, p <sub>g</sub> (psf)	Basic Wind Speed (mph)							
				85	90	100	110	120	130	140	150
Exposure Category D	Roof Zone 1 - Interior	0 to 14 degrees (Flat to 3:12)	0	68"	60"	48"	40"	32"	28"	20"	N/A
			10	68"	60"	48"	40"	32"	28"	20"	N/A
			20	68"	60"	48"	40"	32"	28"	20"	N/A
			30	68"	60"	48"	40"	32"	28"	20"	N/A
			40	64"	60"	48"	40"	32"	28"	20"	N/A
			50	52"	52"	48"	40"	32"	28"	20"	N/A
			60	44"	44"	40"	36"	32"	28"	20"	N/A
			70	32"	32"	32"	28"	24"	20"	12"	N/A
		>14 to 27 degrees (>3:12 to 6:12)	0	72"	68"	52"	44"	36"	28"	24"	16"
			10	72"	68"	52"	44"	36"	28"	24"	16"
			20	72"	68"	52"	44"	36"	28"	24"	16"
			30	60"	60"	52"	44"	36"	28"	24"	16"
			40	48"	48"	48"	44"	36"	28"	24"	16"
			50	36"	36"	36"	36"	36"	28"	24"	16"
			60	32"	32"	32"	32"	32"	28"	24"	16"
			70	28"	28"	28"	28"	28"	28"	24"	16"
		>27 to 37 degrees (>6:12 to 9:12)	0	68"	60"	48"	40"	32"	28"	20"	N/A
			10	68"	60"	48"	40"	32"	28"	20"	N/A
			20	68"	60"	48"	40"	32"	28"	20"	N/A
			30	60"	60"	48"	40"	32"	28"	20"	N/A
			40	48"	48"	48"	40"	32"	28"	20"	N/A
			50	40"	40"	40"	40"	32"	28"	20"	N/A
			60	32"	32"	32"	32"	32"	28"	20"	N/A
			70	28"	28"	28"	28"	28"	28"	20"	N/A
		>37 to 45 degrees (>9:12 to 12:12)	0	68"	60"	48"	40"	32"	28"	20"	N/A
			10	68"	60"	48"	40"	32"	28"	20"	N/A
			20	68"	60"	48"	40"	32"	28"	20"	N/A
			30	68"	60"	48"	40"	32"	28"	20"	N/A
	40		56"	56"	48"	40"	32"	28"	20"	N/A	
	50		48"	48"	48"	40"	32"	28"	20"	N/A	
	60		40"	40"	40"	40"	32"	28"	20"	N/A	
	70		36"	36"	36"	36"	32"	28"	20"	N/A	
	Roof Zone 2 - Edge	0 to 14 degrees (Flat to 3:12)	0	40"	36"	28"	16"	N/A	N/A	N/A	N/A
			10	40"	36"	28"	16"	N/A	N/A	N/A	N/A
			20	40"	36"	28"	16"	N/A	N/A	N/A	N/A
			30	40"	36"	28"	16"	N/A	N/A	N/A	N/A
			40	40"	36"	28"	16"	N/A	N/A	N/A	N/A
			50	40"	36"	28"	16"	N/A	N/A	N/A	N/A
			60	40"	36"	28"	16"	N/A	N/A	N/A	N/A
			70	32"	32"	28"	16"	N/A	N/A	N/A	N/A
		>14 to 27 degrees (>3:12 to 6:12)	0	40"	36"	28"	20"	N/A	N/A	N/A	N/A
			10	40"	36"	28"	20"	N/A	N/A	N/A	N/A
20			40"	36"	28"	20"	N/A	N/A	N/A	N/A	
30			40"	36"	28"	20"	N/A	N/A	N/A	N/A	
40			40"	36"	28"	20"	N/A	N/A	N/A	N/A	
50			36"	36"	28"	20"	N/A	N/A	N/A	N/A	
60			32"	32"	28"	20"	N/A	N/A	N/A	N/A	
70			28"	28"	28"	20"	N/A	N/A	N/A	N/A	
>27 to 37 degrees (>6:12 to 9:12)		0	56"	52"	40"	32"	28"	20"	N/A	N/A	
		10	56"	52"	40"	32"	28"	20"	N/A	N/A	
		20	56"	52"	40"	32"	28"	20"	N/A	N/A	
		30	56"	52"	40"	32"	28"	20"	N/A	N/A	
	40	48"	48"	40"	32"	28"	20"	N/A	N/A		
	50	40"	40"	40"	32"	28"	20"	N/A	N/A		
	60	32"	32"	32"	32"	28"	20"	N/A	N/A		
	70	28"	28"	28"	28"	28"	20"	N/A	N/A		
>37 to 45 degrees (>9:12 to 12:12)	0	56"	52"	40"	32"	28"	20"	N/A	N/A		
	10	56"	52"	40"	32"	28"	20"	N/A	N/A		
	20	56"	52"	40"	32"	28"	20"	N/A	N/A		
	30	56"	52"	40"	32"	28"	20"	N/A	N/A		
	40	56"	52"	40"	32"	28"	20"	N/A	N/A		
	50	48"	48"	40"	32"	28"	20"	N/A	N/A		
	60	40"	40"	40"	32"	28"	20"	N/A	N/A		
	70	36"	36"	36"	32"	28"	20"	N/A	N/A		

Table 5.B Leveling Foot Max. Spacing, Landscape Orientation, Exposure B, Leveling Foot on S-5-S or S-5-E on 26 Gage Standing Seam Roof

Exposure	Roof Zone	Slope	Ground Snow Load, p <sub>g</sub> (psf)	Basic Wind Speed (mph)							
				85	90	100	110	120	130	140	150
				<b>Exposure Category B</b>							
<b>Roof Zone 1 - Interior</b>	0 to 14 degrees (Flat to 3:12)	0	72"	72"	72"	60"	48"	40"	36"	32"	
		10	72"	72"	72"	60"	48"	40"	36"	32"	
		20	72"	72"	72"	60"	48"	40"	36"	32"	
		30	72"	72"	72"	60"	48"	40"	36"	32"	
		40	72"	72"	72"	60"	48"	40"	36"	32"	
		50	64"	64"	64"	60"	48"	40"	36"	32"	
		60	56"	56"	56"	56"	48"	40"	36"	32"	
	70	52"	52"	52"	52"	48"	40"	36"	32"		
	>14 to 27 degrees (>3:12 to 6:12)	0	72"	72"	72"	64"	56"	44"	40"	32"	
		10	72"	72"	72"	64"	56"	44"	40"	32"	
		20	72"	72"	72"	64"	56"	44"	40"	32"	
		30	72"	72"	72"	64"	56"	44"	40"	32"	
		40	72"	72"	72"	64"	56"	44"	40"	32"	
		50	56"	56"	56"	56"	56"	44"	40"	32"	
		60	48"	48"	48"	48"	48"	44"	40"	32"	
	70	40"	40"	40"	40"	40"	40"	40"	32"		
	>27 to 37 degrees (>6:12 to 9:12)	0	72"	72"	72"	60"	48"	40"	36"	28"	
		10	72"	72"	72"	60"	48"	40"	36"	28"	
		20	72"	72"	72"	60"	48"	40"	36"	28"	
		30	72"	72"	72"	60"	48"	40"	36"	28"	
		40	72"	72"	72"	60"	48"	40"	36"	28"	
		50	60"	60"	60"	60"	48"	40"	36"	28"	
		60	52"	52"	52"	52"	48"	40"	36"	28"	
	70	44"	44"	44"	44"	44"	40"	36"	28"		
	>37 to 45 degrees (>9:12 to 12:12)	0	72"	72"	72"	60"	48"	40"	36"	28"	
		10	72"	72"	72"	60"	48"	40"	36"	28"	
		20	72"	72"	72"	60"	48"	40"	36"	28"	
		30	72"	72"	72"	60"	48"	40"	36"	28"	
40		72"	72"	72"	60"	48"	40"	36"	28"		
50		72"	72"	72"	60"	48"	40"	36"	28"		
60		64"	64"	64"	60"	48"	40"	36"	28"		
70	56"	56"	56"	56"	48"	40"	36"	28"			
<b>Roof Zone 2 - Edge</b>	0 to 14 degrees (Flat to 3:12)	0	60"	52"	40"	32"	28"	24"	20"	16"	
		10	60"	52"	40"	32"	28"	24"	20"	16"	
		20	60"	52"	40"	32"	28"	24"	20"	16"	
		30	60"	52"	40"	32"	28"	24"	20"	16"	
		40	60"	52"	40"	32"	28"	24"	20"	16"	
		50	60"	52"	40"	32"	28"	24"	20"	16"	
		60	56"	52"	40"	32"	28"	24"	20"	16"	
	70	52"	52"	40"	32"	28"	24"	20"	16"		
	>14 to 27 degrees (>3:12 to 6:12)	0	64"	56"	44"	36"	28"	24"	20"	16"	
		10	64"	56"	44"	36"	28"	24"	20"	16"	
		20	64"	56"	44"	36"	28"	24"	20"	16"	
		30	64"	56"	44"	36"	28"	24"	20"	16"	
		40	64"	56"	44"	36"	28"	24"	20"	16"	
		50	56"	56"	44"	36"	28"	24"	20"	16"	
		60	48"	48"	44"	36"	28"	24"	20"	16"	
	70	40"	40"	40"	36"	28"	24"	20"	16"		
	>27 to 37 degrees (>6:12 to 9:12)	0	72"	72"	60"	48"	40"	36"	28"	24"	
		10	72"	72"	60"	48"	40"	36"	28"	24"	
		20	72"	72"	60"	48"	40"	36"	28"	24"	
		30	72"	72"	60"	48"	40"	36"	28"	24"	
		40	72"	72"	60"	48"	40"	36"	28"	24"	
		50	60"	60"	60"	48"	40"	36"	28"	24"	
		60	52"	52"	52"	48"	40"	36"	28"	24"	
	70	44"	44"	44"	44"	40"	36"	28"	24"		
	>37 to 45 degrees (>9:12 to 12:12)	0	72"	72"	60"	48"	40"	36"	28"	24"	
		10	72"	72"	60"	48"	40"	36"	28"	24"	
		20	72"	72"	60"	48"	40"	36"	28"	24"	
		30	72"	72"	60"	48"	40"	36"	28"	24"	
40		72"	72"	60"	48"	40"	36"	28"	24"		
50		72"	72"	60"	48"	40"	36"	28"	24"		
60		64"	64"	60"	48"	40"	36"	28"	24"		
70	56"	56"	56"	48"	40"	36"	28"	24"			

Table 5.C Leveling Foot Max. Spacing, Landscape Orientation, Exposure C, Leveling Foot on S-5-S or S-5-E on 26 Gage Standing Seam Roof

Exposure	Roof Zone	Slope	Ground Snow Load, p <sub>g</sub> (psf)	Basic Wind Speed (mph)							
				85	90	100	110	120	130	140	150
				<b>Exposure Category C</b>							
Roof Zone 1 - Interior	0 to 14 degrees (Flat to 3:12)	0	72"	64"	52"	40"	36"	28"	24"	20"	
		10	72"	64"	52"	40"	36"	28"	24"	20"	
		20	72"	64"	52"	40"	36"	28"	24"	20"	
		30	72"	64"	52"	40"	36"	28"	24"	20"	
		40	72"	64"	52"	40"	36"	28"	24"	20"	
		50	64"	64"	52"	40"	36"	28"	24"	20"	
		60	56"	56"	52"	40"	36"	28"	24"	20"	
	70	52"	52"	52"	40"	36"	28"	24"	20"		
	>14 to 27 degrees (>3:12 to 6:12)	0	72"	72"	56"	44"	36"	32"	28"	24"	
		10	72"	72"	56"	44"	36"	32"	28"	24"	
		20	72"	72"	56"	44"	36"	32"	28"	24"	
		30	72"	72"	56"	44"	36"	32"	28"	24"	
		40	72"	72"	56"	44"	36"	32"	28"	24"	
		50	56"	56"	56"	44"	36"	32"	28"	24"	
		60	48"	48"	48"	44"	36"	32"	28"	24"	
	70	40"	40"	40"	40"	36"	32"	28"	24"		
	>27 to 37 degrees (>6:12 to 9:12)	0	72"	64"	52"	40"	32"	28"	24"	20"	
		10	72"	64"	52"	40"	32"	28"	24"	20"	
		20	72"	64"	52"	40"	32"	28"	24"	20"	
		30	72"	64"	52"	40"	32"	28"	24"	20"	
		40	72"	64"	52"	40"	32"	28"	24"	20"	
		50	60"	60"	52"	40"	32"	28"	24"	20"	
		60	52"	52"	52"	40"	32"	28"	24"	20"	
	70	44"	44"	44"	40"	32"	28"	24"	20"		
	>37 to 45 degrees (>9:12 to 12:12)	0	72"	64"	52"	40"	32"	28"	24"	20"	
		10	72"	64"	52"	40"	32"	28"	24"	20"	
		20	72"	64"	52"	40"	32"	28"	24"	20"	
		30	72"	64"	52"	40"	32"	28"	24"	20"	
		40	72"	64"	52"	40"	32"	28"	24"	20"	
		50	72"	64"	52"	40"	32"	28"	24"	20"	
		60	64"	64"	52"	40"	32"	28"	24"	20"	
	70	56"	56"	52"	40"	32"	28"	24"	20"		
	Roof Zone 2 - Edge	0 to 14 degrees (Flat to 3:12)	0	40"	36"	28"	24"	20"	16"	12"	12"
			10	40"	36"	28"	24"	20"	16"	12"	12"
			20	40"	36"	28"	24"	20"	16"	12"	12"
			30	40"	36"	28"	24"	20"	16"	12"	12"
			40	40"	36"	28"	24"	20"	16"	12"	12"
			50	40"	36"	28"	24"	20"	16"	12"	12"
			60	40"	36"	28"	24"	20"	16"	12"	12"
		70	40"	36"	28"	24"	20"	16"	12"	12"	
>14 to 27 degrees (>3:12 to 6:12)		0	44"	40"	32"	24"	20"	16"	16"	12"	
		10	44"	40"	32"	24"	20"	16"	16"	12"	
		20	44"	40"	32"	24"	20"	16"	16"	12"	
		30	44"	40"	32"	24"	20"	16"	16"	12"	
		40	44"	40"	32"	24"	20"	16"	16"	12"	
		50	44"	40"	32"	24"	20"	16"	16"	12"	
		60	44"	40"	32"	24"	20"	16"	16"	12"	
70		40"	40"	32"	24"	20"	16"	16"	12"		
>27 to 37 degrees (>6:12 to 9:12)		0	60"	52"	44"	36"	28"	24"	20"	16"	
		10	60"	52"	44"	36"	28"	24"	20"	16"	
		20	60"	52"	44"	36"	28"	24"	20"	16"	
		30	60"	52"	44"	36"	28"	24"	20"	16"	
		40	60"	52"	44"	36"	28"	24"	20"	16"	
		50	60"	52"	44"	36"	28"	24"	20"	16"	
		60	52"	52"	44"	36"	28"	24"	20"	16"	
70		44"	44"	44"	36"	28"	24"	20"	16"		
>37 to 45 degrees (>9:12 to 12:12)		0	60"	52"	44"	36"	28"	24"	20"	16"	
		10	60"	52"	44"	36"	28"	24"	20"	16"	
		20	60"	52"	44"	36"	28"	24"	20"	16"	
		30	60"	52"	44"	36"	28"	24"	20"	16"	
	40	60"	52"	44"	36"	28"	24"	20"	16"		
	50	60"	52"	44"	36"	28"	24"	20"	16"		
	60	60"	52"	44"	36"	28"	24"	20"	16"		
70	56"	52"	44"	36"	28"	24"	20"	16"			

Table 5.D Leveling Foot Max. Spacing, Landscape Orientation, Exposure D, Leveling Foot on S-5-S or S-5-E on 26 Gage Standing Seam Roof

Exposure	Roof Zone	Slope	Ground Snow Load, p <sub>g</sub> (psf)	Basic Wind Speed (mph)							
				85	90	100	110	120	130	140	150
				<b>Exposure Category D</b>							
<b>Roof Zone 1 - Interior</b>	0 to 14 degrees (Flat to 3:12)	0	60"	52"	44"	36"	28"	24"	20"	16"	
		10	60"	52"	44"	36"	28"	24"	20"	16"	
		20	60"	52"	44"	36"	28"	24"	20"	16"	
		30	60"	52"	44"	36"	28"	24"	20"	16"	
		40	60"	52"	44"	36"	28"	24"	20"	16"	
		50	60"	52"	44"	36"	28"	24"	20"	16"	
		60	60"	52"	44"	36"	28"	24"	20"	16"	
	70	56"	52"	44"	36"	28"	24"	20"	16"		
	>14 to 27 degrees (>3:12 to 6:12)	0	68"	60"	48"	36"	32"	24"	20"	20"	
		10	68"	60"	48"	36"	32"	24"	20"	20"	
		20	68"	60"	48"	36"	32"	24"	20"	20"	
		30	68"	60"	48"	36"	32"	24"	20"	20"	
		40	68"	60"	48"	36"	32"	24"	20"	20"	
		50	64"	60"	48"	36"	32"	24"	20"	20"	
		60	56"	56"	48"	36"	32"	24"	20"	20"	
	70	48"	48"	48"	36"	32"	24"	20"	20"		
	>27 to 37 degrees (>6:12 to 9:12)	0	60"	52"	40"	32"	28"	24"	20"	16"	
		10	60"	52"	40"	32"	28"	24"	20"	16"	
		20	60"	52"	40"	32"	28"	24"	20"	16"	
		30	60"	52"	40"	32"	28"	24"	20"	16"	
		40	60"	52"	40"	32"	28"	24"	20"	16"	
		50	60"	52"	40"	32"	28"	24"	20"	16"	
		60	56"	52"	40"	32"	28"	24"	20"	16"	
	70	48"	48"	40"	32"	28"	24"	20"	16"		
	>37 to 45 degrees (>9:12 to 12:12)	0	60"	52"	40"	32"	28"	24"	20"	16"	
		10	60"	52"	40"	32"	28"	24"	20"	16"	
		20	60"	52"	40"	32"	28"	24"	20"	16"	
		30	60"	52"	40"	32"	28"	24"	20"	16"	
40		60"	52"	40"	32"	28"	24"	20"	16"		
50		60"	52"	40"	32"	28"	24"	20"	16"		
60		60"	52"	40"	32"	28"	24"	20"	16"		
70	60"	52"	40"	32"	28"	24"	20"	16"			
<b>Roof Zone 2 - Edge</b>	0 to 14 degrees (Flat to 3:12)	0	36"	32"	24"	20"	16"	12"	12"	N/A	
		10	36"	32"	24"	20"	16"	12"	12"	N/A	
		20	36"	32"	24"	20"	16"	12"	12"	N/A	
		30	36"	32"	24"	20"	16"	12"	12"	N/A	
		40	36"	32"	24"	20"	16"	12"	12"	N/A	
		50	36"	32"	24"	20"	16"	12"	12"	N/A	
		60	36"	32"	24"	20"	16"	12"	12"	N/A	
	70	36"	32"	24"	20"	16"	12"	12"	N/A		
	>14 to 27 degrees (>3:12 to 6:12)	0	36"	32"	24"	20"	16"	12"	12"	N/A	
		10	36"	32"	24"	20"	16"	12"	12"	N/A	
		20	36"	32"	24"	20"	16"	12"	12"	N/A	
		30	36"	32"	24"	20"	16"	12"	12"	N/A	
		40	36"	32"	24"	20"	16"	12"	12"	N/A	
		50	36"	32"	24"	20"	16"	12"	12"	N/A	
		60	36"	32"	24"	20"	16"	12"	12"	N/A	
	70	36"	32"	24"	20"	16"	12"	12"	N/A		
	>27 to 37 degrees (>6:12 to 9:12)	0	52"	44"	36"	28"	24"	20"	16"	16"	
		10	52"	44"	36"	28"	24"	20"	16"	16"	
		20	52"	44"	36"	28"	24"	20"	16"	16"	
		30	52"	44"	36"	28"	24"	20"	16"	16"	
		40	52"	44"	36"	28"	24"	20"	16"	16"	
		50	52"	44"	36"	28"	24"	20"	16"	16"	
		60	52"	44"	36"	28"	24"	20"	16"	16"	
	70	48"	44"	36"	28"	24"	20"	16"	16"		
	>37 to 45 degrees (>9:12 to 12:12)	0	48"	44"	36"	28"	24"	20"	16"	16"	
		10	48"	44"	36"	28"	24"	20"	16"	16"	
		20	48"	44"	36"	28"	24"	20"	16"	16"	
		30	48"	44"	36"	28"	24"	20"	16"	16"	
40		48"	44"	36"	28"	24"	20"	16"	16"		
50		48"	44"	36"	28"	24"	20"	16"	16"		
60		48"	44"	36"	28"	24"	20"	16"	16"		
70	48"	44"	36"	28"	24"	20"	16"	16"			

Table 6.B Leveling Foot Max. Spacing, Portrait Orientation, Exposure B, Leveling Foot on S-5-S or S-5-E on 26 Gage Standing Seam Roof

Exposure	Roof Zone	Slope	Ground Snow Load, p <sub>g</sub> (psf)	Basic Wind Speed (mph)							
				85	90	100	110	120	130	140	150
Exposure Category B	Roof Zone 1 - Interior	0 to 14 degrees (Flat to 3:12)	0	64"	56"	44"	36"	28"	24"	20"	16"
			10	64"	56"	44"	36"	28"	24"	20"	16"
			20	64"	56"	44"	36"	28"	24"	20"	16"
			30	64"	56"	44"	36"	28"	24"	20"	16"
			40	60"	56"	44"	36"	28"	24"	20"	16"
			50	48"	48"	44"	36"	28"	24"	20"	16"
			60	36"	36"	36"	36"	28"	24"	20"	16"
		70	24"	24"	24"	24"	24"	24"	20"	16"	
		>14 to 27 degrees (>3:12 to 6:12)	0	68"	60"	48"	40"	32"	28"	24"	20"
			10	68"	60"	48"	40"	32"	28"	24"	20"
			20	68"	60"	48"	40"	32"	28"	24"	20"
			30	56"	56"	48"	40"	32"	28"	24"	20"
			40	40"	40"	40"	40"	32"	28"	24"	20"
			50	32"	32"	32"	32"	32"	28"	24"	20"
			60	28"	28"	28"	28"	28"	28"	24"	20"
		70	24"	24"	24"	24"	24"	24"	24"	20"	
		>27 to 37 degrees (>6:12 to 9:12)	0	64"	56"	44"	36"	28"	24"	20"	16"
			10	64"	56"	44"	36"	28"	24"	20"	16"
			20	64"	56"	44"	36"	28"	24"	20"	16"
			30	56"	56"	44"	36"	28"	24"	20"	16"
			40	44"	44"	44"	36"	28"	24"	20"	16"
	50		36"	36"	36"	36"	28"	24"	20"	16"	
	60		32"	32"	32"	32"	28"	24"	20"	16"	
	70	24"	24"	24"	24"	24"	24"	20"	16"		
	>37 to 45 degrees (>9:12 to 12:12)	0	60"	52"	44"	36"	28"	24"	20"	16"	
		10	60"	52"	44"	36"	28"	24"	20"	16"	
		20	60"	52"	44"	36"	28"	24"	20"	16"	
		30	60"	52"	44"	36"	28"	24"	20"	16"	
		40	52"	52"	44"	36"	28"	24"	20"	16"	
		50	44"	44"	44"	36"	28"	24"	20"	16"	
		60	36"	36"	36"	36"	28"	24"	20"	16"	
	70	32"	32"	32"	32"	28"	24"	20"	16"		
	Roof Zone 2 - Edge	0 to 14 degrees (Flat to 3:12)	0	36"	32"	24"	20"	16"	12"	12"	N/A
			10	36"	32"	24"	20"	16"	12"	12"	N/A
			20	36"	32"	24"	20"	16"	12"	12"	N/A
			30	36"	32"	24"	20"	16"	12"	12"	N/A
			40	36"	32"	24"	20"	16"	12"	12"	N/A
			50	36"	32"	24"	20"	16"	12"	12"	N/A
			60	36"	32"	24"	20"	16"	12"	12"	N/A
		70	24"	24"	24"	20"	16"	12"	12"	N/A	
		>14 to 27 degrees (>3:12 to 6:12)	0	36"	32"	24"	20"	16"	12"	12"	N/A
			10	36"	32"	24"	20"	16"	12"	12"	N/A
20			36"	32"	24"	20"	16"	12"	12"	N/A	
30			36"	32"	24"	20"	16"	12"	12"	N/A	
40			36"	32"	24"	20"	16"	12"	12"	N/A	
50			32"	32"	24"	20"	16"	12"	12"	N/A	
60			28"	28"	24"	20"	16"	12"	12"	N/A	
70		24"	24"	24"	20"	16"	12"	12"	N/A		
>27 to 37 degrees (>6:12 to 9:12)		0	52"	44"	36"	28"	24"	20"	16"	16"	
		10	52"	44"	36"	28"	24"	20"	16"	16"	
		20	52"	44"	36"	28"	24"	20"	16"	16"	
		30	52"	44"	36"	28"	24"	20"	16"	16"	
		40	44"	44"	36"	28"	24"	20"	16"	16"	
	50	36"	36"	36"	28"	24"	20"	16"	16"		
	60	32"	32"	32"	28"	24"	20"	16"	16"		
70	24"	24"	24"	24"	24"	20"	16"	16"			
>37 to 45 degrees (>9:12 to 12:12)	0	52"	44"	36"	28"	24"	20"	16"	16"		
	10	52"	44"	36"	28"	24"	20"	16"	16"		
	20	52"	44"	36"	28"	24"	20"	16"	16"		
	30	52"	44"	36"	28"	24"	20"	16"	16"		
	40	52"	44"	36"	28"	24"	20"	16"	16"		
	50	44"	44"	36"	28"	24"	20"	16"	16"		
	60	36"	36"	36"	28"	24"	20"	16"	16"		
70	32"	32"	32"	28"	24"	20"	16"	16"			

Table 6.C Leveling Foot Max. Spacing, Portrait Orientation, Exposure C, Leveling Foot on S-5-S or S-5-E on 26 Gage Standing Seam Roof

Exposure	Roof Zone	Slope	Ground Snow Load, p <sub>g</sub> (psf)	Basic Wind Speed (mph)							
				85	90	100	110	120	130	140	150
Exposure Category C	Roof Zone 1 - Interior	0 to 14 degrees (Flat to 3:12)	0	44"	36"	28"	24"	20"	16"	12"	12"
			10	44"	36"	28"	24"	20"	16"	12"	12"
			20	44"	36"	28"	24"	20"	16"	12"	12"
			30	44"	36"	28"	24"	20"	16"	12"	12"
			40	44"	36"	28"	24"	20"	16"	12"	12"
			50	44"	36"	28"	24"	20"	16"	12"	12"
			60	36"	36"	28"	24"	20"	16"	12"	12"
			70	24"	24"	24"	24"	20"	16"	12"	N/A
		>14 to 27 degrees (>3:12 to 6:12)	0	48"	40"	32"	28"	20"	20"	16"	12"
			10	48"	40"	32"	28"	20"	20"	16"	12"
			20	48"	40"	32"	28"	20"	20"	16"	12"
			30	48"	40"	32"	28"	20"	20"	16"	12"
			40	40"	40"	32"	28"	20"	20"	16"	12"
			50	32"	32"	32"	28"	20"	20"	16"	12"
			60	28"	28"	28"	28"	20"	20"	16"	12"
			70	24"	24"	24"	24"	20"	20"	16"	12"
		>27 to 37 degrees (>6:12 to 9:12)	0	44"	36"	28"	24"	20"	16"	12"	12"
			10	44"	36"	28"	24"	20"	16"	12"	12"
			20	44"	36"	28"	24"	20"	16"	12"	12"
			30	44"	36"	28"	24"	20"	16"	12"	12"
			40	44"	36"	28"	24"	20"	16"	12"	12"
			50	36"	36"	28"	24"	20"	16"	12"	12"
			60	32"	32"	28"	24"	20"	16"	12"	12"
			70	24"	24"	24"	24"	20"	16"	12"	12"
	>37 to 45 degrees (>9:12 to 12:12)	0	44"	36"	28"	24"	20"	16"	12"	12"	
		10	44"	36"	28"	24"	20"	16"	12"	12"	
		20	44"	36"	28"	24"	20"	16"	12"	12"	
		30	44"	36"	28"	24"	20"	16"	12"	12"	
		40	44"	36"	28"	24"	20"	16"	12"	12"	
		50	44"	36"	28"	24"	20"	16"	12"	12"	
		60	36"	36"	28"	24"	20"	16"	12"	12"	
		70	32"	32"	28"	24"	20"	16"	12"	12"	
	Roof Zone 2 - Edge	0 to 14 degrees (Flat to 3:12)	0	24"	20"	16"	12"	12"	N/A	N/A	N/A
			10	24"	20"	16"	12"	12"	N/A	N/A	N/A
			20	24"	20"	16"	12"	12"	N/A	N/A	N/A
			30	24"	20"	16"	12"	12"	N/A	N/A	N/A
			40	24"	20"	16"	12"	12"	N/A	N/A	N/A
			50	24"	20"	16"	12"	12"	N/A	N/A	N/A
			60	24"	20"	16"	12"	12"	N/A	N/A	N/A
			70	24"	20"	16"	12"	12"	N/A	N/A	N/A
		>14 to 27 degrees (>3:12 to 6:12)	0	24"	24"	16"	12"	12"	N/A	N/A	N/A
			10	24"	24"	16"	12"	12"	N/A	N/A	N/A
			20	24"	24"	16"	12"	12"	N/A	N/A	N/A
			30	24"	24"	16"	12"	12"	N/A	N/A	N/A
			40	24"	24"	16"	12"	12"	N/A	N/A	N/A
			50	24"	24"	16"	12"	12"	N/A	N/A	N/A
			60	24"	24"	16"	12"	12"	N/A	N/A	N/A
			70	24"	24"	16"	12"	12"	N/A	N/A	N/A
>27 to 37 degrees (>6:12 to 9:12)		0	36"	32"	24"	20"	16"	12"	12"	N/A	
		10	36"	32"	24"	20"	16"	12"	12"	N/A	
		20	36"	32"	24"	20"	16"	12"	12"	N/A	
		30	36"	32"	24"	20"	16"	12"	12"	N/A	
		40	36"	32"	24"	20"	16"	12"	12"	N/A	
		50	36"	32"	24"	20"	16"	12"	12"	N/A	
		60	32"	32"	24"	20"	16"	12"	12"	N/A	
		70	24"	24"	24"	20"	16"	12"	12"	N/A	
>37 to 45 degrees (>9:12 to 12:12)	0	36"	32"	24"	20"	16"	12"	12"	N/A		
	10	36"	32"	24"	20"	16"	12"	12"	N/A		
	20	36"	32"	24"	20"	16"	12"	12"	N/A		
	30	36"	32"	24"	20"	16"	12"	12"	N/A		
	40	36"	32"	24"	20"	16"	12"	12"	N/A		
	50	36"	32"	24"	20"	16"	12"	12"	N/A		
	60	36"	32"	24"	20"	16"	12"	12"	N/A		
	70	32"	32"	24"	20"	16"	12"	12"	N/A		

Table 6.D Leveling Foot Max. Spacing, Portrait Orientation, Exposure D, Leveling Foot on S-5-S or S-5-E on 26 Gage Standing Seam Roof

Exposure	Roof Zone	Slope	Ground Snow Load, p <sub>g</sub> (psf)	Basic Wind Speed (mph)							
				85	90	100	110	120	130	140	150
Exposure Category D	Roof Zone 1 - Interior	0 to 14 degrees (Flat to 3:12)	0	36"	32"	24"	20"	16"	12"	12"	N/A
			10	36"	32"	24"	20"	16"	12"	12"	N/A
			20	36"	32"	24"	20"	16"	12"	12"	N/A
			30	36"	32"	24"	20"	16"	12"	12"	N/A
			40	36"	32"	24"	20"	16"	12"	12"	N/A
			50	36"	32"	24"	20"	16"	12"	12"	N/A
			60	36"	32"	24"	20"	16"	12"	12"	N/A
		70	32"	32"	24"	20"	16"	12"	12"	N/A	
		>14 to 27 degrees (>3:12 to 6:12)	0	40"	36"	28"	20"	16"	16"	12"	12"
			10	40"	36"	28"	20"	16"	16"	12"	12"
			20	40"	36"	28"	20"	16"	16"	12"	12"
			30	40"	36"	28"	20"	16"	16"	12"	12"
			40	40"	36"	28"	20"	16"	16"	12"	12"
			50	36"	36"	28"	20"	16"	16"	12"	12"
			60	32"	32"	28"	20"	16"	16"	12"	12"
		70	28"	28"	28"	20"	16"	16"	12"	12"	
		>27 to 37 degrees (>6:12 to 9:12)	0	36"	32"	24"	20"	16"	12"	12"	N/A
			10	36"	32"	24"	20"	16"	12"	12"	N/A
			20	36"	32"	24"	20"	16"	12"	12"	N/A
			30	36"	32"	24"	20"	16"	12"	12"	N/A
			40	36"	32"	24"	20"	16"	12"	12"	N/A
	50		36"	32"	24"	20"	16"	12"	12"	N/A	
	60		32"	32"	24"	20"	16"	12"	12"	N/A	
	70	28"	28"	24"	20"	16"	12"	12"	N/A		
	>37 to 45 degrees (>9:12 to 12:12)	0	36"	32"	24"	20"	16"	12"	12"	N/A	
		10	36"	32"	24"	20"	16"	12"	12"	N/A	
		20	36"	32"	24"	20"	16"	12"	12"	N/A	
		30	36"	32"	24"	20"	16"	12"	12"	N/A	
		40	36"	32"	24"	20"	16"	12"	12"	N/A	
		50	36"	32"	24"	20"	16"	12"	12"	N/A	
		60	36"	32"	24"	20"	16"	12"	12"	N/A	
	70	36"	32"	24"	20"	16"	12"	12"	N/A		
	Roof Zone 2 - Edge	0 to 14 degrees (Flat to 3:12)	0	20"	16"	12"	12"	N/A	N/A	N/A	N/A
			10	20"	16"	12"	12"	N/A	N/A	N/A	N/A
			20	20"	16"	12"	12"	N/A	N/A	N/A	N/A
			30	20"	16"	12"	12"	N/A	N/A	N/A	N/A
			40	20"	16"	12"	12"	N/A	N/A	N/A	N/A
			50	20"	16"	12"	12"	N/A	N/A	N/A	N/A
			60	20"	16"	12"	12"	N/A	N/A	N/A	N/A
		70	20"	16"	12"	12"	N/A	N/A	N/A	N/A	
		>14 to 27 degrees (>3:12 to 6:12)	0	20"	20"	16"	12"	N/A	N/A	N/A	N/A
			10	20"	20"	16"	12"	N/A	N/A	N/A	N/A
20			20"	20"	16"	12"	N/A	N/A	N/A	N/A	
30			20"	20"	16"	12"	N/A	N/A	N/A	N/A	
40			20"	20"	16"	12"	N/A	N/A	N/A	N/A	
50			20"	20"	16"	12"	N/A	N/A	N/A	N/A	
60			20"	20"	16"	12"	N/A	N/A	N/A	N/A	
70		20"	20"	16"	12"	N/A	N/A	N/A	N/A		
>27 to 37 degrees (>6:12 to 9:12)		0	28"	24"	20"	16"	12"	12"	N/A	N/A	
		10	28"	24"	20"	16"	12"	12"	N/A	N/A	
		20	28"	24"	20"	16"	12"	12"	N/A	N/A	
		30	28"	24"	20"	16"	12"	12"	N/A	N/A	
		40	28"	24"	20"	16"	12"	12"	N/A	N/A	
	50	28"	24"	20"	16"	12"	12"	N/A	N/A		
	60	28"	24"	20"	16"	12"	12"	N/A	N/A		
70	28"	24"	20"	16"	12"	12"	N/A	N/A			
>37 to 45 degrees (>9:12 to 12:12)	0	28"	24"	20"	16"	12"	12"	N/A	N/A		
	10	28"	24"	20"	16"	12"	12"	N/A	N/A		
	20	28"	24"	20"	16"	12"	12"	N/A	N/A		
	30	28"	24"	20"	16"	12"	12"	N/A	N/A		
	40	28"	24"	20"	16"	12"	12"	N/A	N/A		
	50	28"	24"	20"	16"	12"	12"	N/A	N/A		
	60	28"	24"	20"	16"	12"	12"	N/A	N/A		
70	28"	24"	20"	16"	12"	12"	N/A	N/A			

Table 7.B Leveling Foot Max. Spacing, Landscape Orientation, Exposure B, Leveling Foot on Schletter Fix2000 on 22 Gage Trapezoidal Roof

Exposure	Roof Zone	Slope	Ground Snow Load, p <sub>g</sub> (psf)	Basic Wind Speed (mph)							
				85	90	100	110	120	130	140	150
Exposure Category B	Roof Zone 1 - Interior	0 to 14 degrees (Flat to 3:12)	0	72"	60"	48"	40"	32"	28"	24"	20"
			10	72"	60"	48"	40"	32"	28"	24"	20"
			20	72"	60"	48"	40"	32"	28"	24"	20"
			30	72"	60"	48"	40"	32"	28"	24"	20"
			40	72"	60"	48"	40"	32"	28"	24"	20"
			50	64"	60"	48"	40"	32"	28"	24"	20"
			60	56"	56"	48"	40"	32"	28"	24"	20"
		70	52"	52"	48"	40"	32"	28"	24"	20"	
		>14 to 27 degrees (>3:12 to 6:12)	0	72"	68"	52"	44"	36"	28"	24"	20"
			10	72"	68"	52"	44"	36"	28"	24"	20"
			20	72"	68"	52"	44"	36"	28"	24"	20"
			30	72"	68"	52"	44"	36"	28"	24"	20"
			40	72"	68"	52"	44"	36"	28"	24"	20"
			50	56"	56"	52"	44"	36"	28"	24"	20"
			60	48"	48"	48"	44"	36"	28"	24"	20"
		70	40"	40"	40"	40"	36"	28"	24"	20"	
		>27 to 37 degrees (>6:12 to 9:12)	0	68"	60"	48"	40"	32"	28"	24"	20"
			10	68"	60"	48"	40"	32"	28"	24"	20"
			20	68"	60"	48"	40"	32"	28"	24"	20"
			30	68"	60"	48"	40"	32"	28"	24"	20"
	40		68"	60"	48"	40"	32"	28"	24"	20"	
	50		60"	60"	48"	40"	32"	28"	24"	20"	
	60		52"	52"	48"	40"	32"	28"	24"	20"	
	70	44"	44"	44"	40"	32"	28"	24"	20"		
	>37 to 45 degrees (>9:12 to 12:12)	0	68"	60"	48"	40"	32"	28"	24"	20"	
		10	68"	60"	48"	40"	32"	28"	24"	20"	
		20	68"	60"	48"	40"	32"	28"	24"	20"	
		30	68"	60"	48"	40"	32"	28"	24"	20"	
		40	68"	60"	48"	40"	32"	28"	24"	20"	
		50	68"	60"	48"	40"	32"	28"	24"	20"	
		60	64"	60"	48"	40"	32"	28"	24"	20"	
	70	56"	56"	48"	40"	32"	28"	24"	20"		
	Roof Zone 2 - Edge	0 to 14 degrees (Flat to 3:12)	0	40"	36"	28"	20"	16"	16"	12"	12"
			10	40"	36"	28"	20"	16"	16"	12"	12"
			20	40"	36"	28"	20"	16"	16"	12"	12"
			30	40"	36"	28"	20"	16"	16"	12"	12"
			40	40"	36"	28"	20"	16"	16"	12"	12"
			50	40"	36"	28"	20"	16"	16"	12"	12"
			60	40"	36"	28"	20"	16"	16"	12"	12"
		70	40"	36"	28"	20"	16"	16"	12"	12"	
>14 to 27 degrees (>3:12 to 6:12)		0	40"	36"	28"	24"	20"	16"	12"	12"	
		10	40"	36"	28"	24"	20"	16"	12"	12"	
		20	40"	36"	28"	24"	20"	16"	12"	12"	
		30	40"	36"	28"	24"	20"	16"	12"	12"	
		40	40"	36"	28"	24"	20"	16"	12"	12"	
		50	40"	36"	28"	24"	20"	16"	12"	12"	
		60	40"	36"	28"	24"	20"	16"	12"	12"	
70		40"	36"	28"	24"	20"	16"	12"	12"		
>27 to 37 degrees (>6:12 to 9:12)		0	56"	52"	40"	32"	28"	24"	20"	16"	
		10	56"	52"	40"	32"	28"	24"	20"	16"	
		20	56"	52"	40"	32"	28"	24"	20"	16"	
		30	56"	52"	40"	32"	28"	24"	20"	16"	
	40	56"	52"	40"	32"	28"	24"	20"	16"		
	50	56"	52"	40"	32"	28"	24"	20"	16"		
	60	52"	52"	40"	32"	28"	24"	20"	16"		
70	44"	44"	40"	32"	28"	24"	20"	16"			
>37 to 45 degrees (>9:12 to 12:12)	0	56"	52"	40"	32"	28"	20"	20"	16"		
	10	56"	52"	40"	32"	28"	20"	20"	16"		
	20	56"	52"	40"	32"	28"	20"	20"	16"		
	30	56"	52"	40"	32"	28"	20"	20"	16"		
	40	56"	52"	40"	32"	28"	20"	20"	16"		
	50	56"	52"	40"	32"	28"	20"	20"	16"		
	60	56"	52"	40"	32"	28"	20"	20"	16"		
70	56"	52"	40"	32"	28"	20"	20"	16"			

Table 7.C Leveling Foot Max. Spacing, Landscape Orientation, Exposure C, Leveling Foot on Schletter Fix2000 on 22 Gage Trapezoidal Roof

Exposure	Roof Zone	Slope	Ground Snow Load, p <sub>g</sub> (psf)	Basic Wind Speed (mph)							
				85	90	100	110	120	130	140	150
Exposure Category C	Roof Zone 1 - Interior	0 to 14 degrees (Flat to 3:12)	0	48"	40"	32"	28"	20"	20"	16"	12"
			10	48"	40"	32"	28"	20"	20"	16"	12"
			20	48"	40"	32"	28"	20"	20"	16"	12"
			30	48"	40"	32"	28"	20"	20"	16"	12"
			40	48"	40"	32"	28"	20"	20"	16"	12"
			50	48"	40"	32"	28"	20"	20"	16"	12"
			60	48"	40"	32"	28"	20"	20"	16"	12"
		70	48"	40"	32"	28"	20"	20"	16"	12"	
		>14 to 27 degrees (>3:12 to 6:12)	0	52"	48"	36"	28"	24"	20"	16"	16"
			10	52"	48"	36"	28"	24"	20"	16"	16"
			20	52"	48"	36"	28"	24"	20"	16"	16"
			30	52"	48"	36"	28"	24"	20"	16"	16"
			40	52"	48"	36"	28"	24"	20"	16"	16"
			50	52"	48"	36"	28"	24"	20"	16"	16"
			60	48"	48"	36"	28"	24"	20"	16"	16"
		70	40"	40"	36"	28"	24"	20"	16"	16"	
		>27 to 37 degrees (>6:12 to 9:12)	0	48"	40"	32"	28"	20"	20"	16"	12"
			10	48"	40"	32"	28"	20"	20"	16"	12"
			20	48"	40"	32"	28"	20"	20"	16"	12"
			30	48"	40"	32"	28"	20"	20"	16"	12"
			40	48"	40"	32"	28"	20"	20"	16"	12"
			50	48"	40"	32"	28"	20"	20"	16"	12"
			60	48"	40"	32"	28"	20"	20"	16"	12"
		70	44"	40"	32"	28"	20"	20"	16"	12"	
	>37 to 45 degrees (>9:12 to 12:12)	0	48"	40"	32"	28"	20"	16"	16"	12"	
		10	48"	40"	32"	28"	20"	16"	16"	12"	
		20	48"	40"	32"	28"	20"	16"	16"	12"	
		30	48"	40"	32"	28"	20"	16"	16"	12"	
		40	48"	40"	32"	28"	20"	16"	16"	12"	
		50	48"	40"	32"	28"	20"	16"	16"	12"	
		60	48"	40"	32"	28"	20"	16"	16"	12"	
	70	48"	40"	32"	28"	20"	16"	16"	12"		
	Roof Zone 2 - Edge	0 to 14 degrees (Flat to 3:12)	0	28"	24"	20"	16"	12"	N/A	N/A	N/A
			10	28"	24"	20"	16"	12"	N/A	N/A	N/A
			20	28"	24"	20"	16"	12"	N/A	N/A	N/A
			30	28"	24"	20"	16"	12"	N/A	N/A	N/A
			40	28"	24"	20"	16"	12"	N/A	N/A	N/A
			50	28"	24"	20"	16"	12"	N/A	N/A	N/A
			60	28"	24"	20"	16"	12"	N/A	N/A	N/A
		70	28"	24"	20"	16"	12"	N/A	N/A	N/A	
		>14 to 27 degrees (>3:12 to 6:12)	0	28"	24"	20"	16"	12"	12"	N/A	N/A
			10	28"	24"	20"	16"	12"	12"	N/A	N/A
			20	28"	24"	20"	16"	12"	12"	N/A	N/A
			30	28"	24"	20"	16"	12"	12"	N/A	N/A
			40	28"	24"	20"	16"	12"	12"	N/A	N/A
			50	28"	24"	20"	16"	12"	12"	N/A	N/A
			60	28"	24"	20"	16"	12"	12"	N/A	N/A
		70	28"	24"	20"	16"	12"	12"	N/A	N/A	
>27 to 37 degrees (>6:12 to 9:12)		0	40"	36"	28"	24"	20"	16"	12"	12"	
		10	40"	36"	28"	24"	20"	16"	12"	12"	
		20	40"	36"	28"	24"	20"	16"	12"	12"	
		30	40"	36"	28"	24"	20"	16"	12"	12"	
		40	40"	36"	28"	24"	20"	16"	12"	12"	
		50	40"	36"	28"	24"	20"	16"	12"	12"	
		60	40"	36"	28"	24"	20"	16"	12"	12"	
70		40"	36"	28"	24"	20"	16"	12"	12"		
>37 to 45 degrees (>9:12 to 12:12)	0	40"	36"	28"	20"	20"	16"	12"	12"		
	10	40"	36"	28"	20"	20"	16"	12"	12"		
	20	40"	36"	28"	20"	20"	16"	12"	12"		
	30	40"	36"	28"	20"	20"	16"	12"	12"		
	40	40"	36"	28"	20"	20"	16"	12"	12"		
	50	40"	36"	28"	20"	20"	16"	12"	12"		
	60	40"	36"	28"	20"	20"	16"	12"	12"		
70	40"	36"	28"	20"	20"	16"	12"	12"			

Table 7.D Leveling Foot Max. Spacing, Landscape Orientation, Exposure D, Leveling Foot on Schletter Fix2000 on 22 Gage Trapezoidal Roof

Exposure	Roof Zone	Slope	Ground Snow Load, p <sub>g</sub> (psf)	Basic Wind Speed (mph)							
				85	90	100	110	120	130	140	150
Exposure Category D	Roof Zone 1 - Interior	0 to 14 degrees (Flat to 3:12)	0	40"	36"	28"	20"	16"	16"	12"	12"
			10	40"	36"	28"	20"	16"	16"	12"	12"
			20	40"	36"	28"	20"	16"	16"	12"	12"
			30	40"	36"	28"	20"	16"	16"	12"	12"
			40	40"	36"	28"	20"	16"	16"	12"	12"
			50	40"	36"	28"	20"	16"	16"	12"	12"
			60	40"	36"	28"	20"	16"	16"	12"	12"
		70	40"	36"	28"	20"	16"	16"	12"	12"	
		>14 to 27 degrees (>3:12 to 6:12)	0	44"	40"	28"	24"	20"	16"	12"	12"
			10	44"	40"	28"	24"	20"	16"	12"	12"
			20	44"	40"	28"	24"	20"	16"	12"	12"
			30	44"	40"	28"	24"	20"	16"	12"	12"
			40	44"	40"	28"	24"	20"	16"	12"	12"
			50	44"	40"	28"	24"	20"	16"	12"	12"
			60	44"	40"	28"	24"	20"	16"	12"	12"
		70	44"	40"	28"	24"	20"	16"	12"	12"	
		>27 to 37 degrees (>6:12 to 9:12)	0	40"	36"	28"	20"	16"	16"	12"	12"
			10	40"	36"	28"	20"	16"	16"	12"	12"
			20	40"	36"	28"	20"	16"	16"	12"	12"
			30	40"	36"	28"	20"	16"	16"	12"	12"
			40	40"	36"	28"	20"	16"	16"	12"	12"
			50	40"	36"	28"	20"	16"	16"	12"	12"
			60	40"	36"	28"	20"	16"	16"	12"	12"
		70	40"	36"	28"	20"	16"	16"	12"	12"	
		>37 to 45 degrees (>9:12 to 12:12)	0	40"	32"	28"	20"	16"	16"	12"	12"
			10	40"	32"	28"	20"	16"	16"	12"	12"
			20	40"	32"	28"	20"	16"	16"	12"	12"
			30	40"	32"	28"	20"	16"	16"	12"	12"
	40		40"	32"	28"	20"	16"	16"	12"	12"	
	50		40"	32"	28"	20"	16"	16"	12"	12"	
	60		40"	32"	28"	20"	16"	16"	12"	12"	
	70	40"	32"	28"	20"	16"	16"	12"	12"		
	Roof Zone 2 - Edge	0 to 14 degrees (Flat to 3:12)	0	20"	20"	16"	12"	N/A	N/A	N/A	N/A
			10	20"	20"	16"	12"	N/A	N/A	N/A	N/A
			20	20"	20"	16"	12"	N/A	N/A	N/A	N/A
			30	20"	20"	16"	12"	N/A	N/A	N/A	N/A
			40	20"	20"	16"	12"	N/A	N/A	N/A	N/A
			50	20"	20"	16"	12"	N/A	N/A	N/A	N/A
			60	20"	20"	16"	12"	N/A	N/A	N/A	N/A
		70	20"	20"	16"	12"	N/A	N/A	N/A	N/A	
		>14 to 27 degrees (>3:12 to 6:12)	0	24"	20"	16"	12"	12"	N/A	N/A	N/A
			10	24"	20"	16"	12"	12"	N/A	N/A	N/A
			20	24"	20"	16"	12"	12"	N/A	N/A	N/A
			30	24"	20"	16"	12"	12"	N/A	N/A	N/A
			40	24"	20"	16"	12"	12"	N/A	N/A	N/A
			50	24"	20"	16"	12"	12"	N/A	N/A	N/A
			60	24"	20"	16"	12"	12"	N/A	N/A	N/A
		70	24"	20"	16"	12"	12"	N/A	N/A	N/A	
>27 to 37 degrees (>6:12 to 9:12)		0	32"	28"	24"	20"	16"	12"	12"	N/A	
		10	32"	28"	24"	20"	16"	12"	12"	N/A	
		20	32"	28"	24"	20"	16"	12"	12"	N/A	
		30	32"	28"	24"	20"	16"	12"	12"	N/A	
		40	32"	28"	24"	20"	16"	12"	12"	N/A	
		50	32"	28"	24"	20"	16"	12"	12"	N/A	
		60	32"	28"	24"	20"	16"	12"	12"	N/A	
70		32"	28"	24"	20"	16"	12"	12"	N/A		
>37 to 45 degrees (>9:12 to 12:12)		0	32"	28"	24"	20"	16"	12"	12"	N/A	
		10	32"	28"	24"	20"	16"	12"	12"	N/A	
		20	32"	28"	24"	20"	16"	12"	12"	N/A	
		30	32"	28"	24"	20"	16"	12"	12"	N/A	
	40	32"	28"	24"	20"	16"	12"	12"	N/A		
	50	32"	28"	24"	20"	16"	12"	12"	N/A		
	60	32"	28"	24"	20"	16"	12"	12"	N/A		
70	32"	28"	24"	20"	16"	12"	12"	N/A			

Table 8.B Leveling Foot Max. Spacing, Portrait Orientation, Exposure B, Leveling Foot on Schletter Fix2000 on 22 Gage Trapezoidal Roof

Exposure	Roof Zone	Slope	Ground Snow Load, p <sub>g</sub> (psf)	Basic Wind Speed (mph)							
				85	90	100	110	120	130	140	150
Exposure Category B	Roof Zone 1 - Interior	0 to 14 degrees (Flat to 3:12)	0	40"	36"	28"	24"	20"	16"	12"	12"
			10	40"	36"	28"	24"	20"	16"	12"	12"
			20	40"	36"	28"	24"	20"	16"	12"	12"
			30	40"	36"	28"	24"	20"	16"	12"	12"
			40	40"	36"	28"	24"	20"	16"	12"	12"
			50	40"	36"	28"	24"	20"	16"	12"	12"
			60	36"	36"	28"	24"	20"	16"	12"	12"
		70	24"	24"	24"	24"	20"	16"	12"	12"	
		>14 to 27 degrees (>3:12 to 6:12)	0	44"	40"	32"	24"	20"	16"	16"	12"
			10	44"	40"	32"	24"	20"	16"	16"	12"
			20	44"	40"	32"	24"	20"	16"	16"	12"
			30	44"	40"	32"	24"	20"	16"	16"	12"
			40	40"	40"	32"	24"	20"	16"	16"	12"
			50	32"	32"	32"	24"	20"	16"	16"	12"
			60	28"	28"	28"	24"	20"	16"	16"	12"
		70	24"	24"	24"	24"	20"	16"	16"	12"	
		>27 to 37 degrees (>6:12 to 9:12)	0	40"	36"	28"	24"	20"	16"	12"	12"
			10	40"	36"	28"	24"	20"	16"	12"	12"
			20	40"	36"	28"	24"	20"	16"	12"	12"
			30	40"	36"	28"	24"	20"	16"	12"	12"
			40	40"	36"	28"	24"	20"	16"	12"	12"
			50	36"	36"	28"	24"	20"	16"	12"	12"
			60	32"	32"	28"	24"	20"	16"	12"	12"
		70	24"	24"	24"	24"	20"	16"	12"	12"	
	>37 to 45 degrees (>9:12 to 12:12)	0	40"	36"	28"	24"	20"	16"	12"	12"	
		10	40"	36"	28"	24"	20"	16"	12"	12"	
		20	40"	36"	28"	24"	20"	16"	12"	12"	
		30	40"	36"	28"	24"	20"	16"	12"	12"	
		40	40"	36"	28"	24"	20"	16"	12"	12"	
		50	40"	36"	28"	24"	20"	16"	12"	12"	
		60	36"	36"	28"	24"	20"	16"	12"	12"	
	70	32"	32"	28"	24"	20"	16"	12"	12"		
	Roof Zone 2 - Edge	0 to 14 degrees (Flat to 3:12)	0	24"	20"	16"	12"	N/A	N/A	N/A	N/A
			10	24"	20"	16"	12"	N/A	N/A	N/A	N/A
			20	24"	20"	16"	12"	N/A	N/A	N/A	N/A
			30	24"	20"	16"	12"	N/A	N/A	N/A	N/A
			40	24"	20"	16"	12"	N/A	N/A	N/A	N/A
			50	24"	20"	16"	12"	N/A	N/A	N/A	N/A
			60	24"	20"	16"	12"	N/A	N/A	N/A	N/A
		70	24"	20"	16"	12"	N/A	N/A	N/A	N/A	
		>14 to 27 degrees (>3:12 to 6:12)	0	24"	20"	16"	12"	12"	N/A	N/A	N/A
			10	24"	20"	16"	12"	12"	N/A	N/A	N/A
			20	24"	20"	16"	12"	12"	N/A	N/A	N/A
			30	24"	20"	16"	12"	12"	N/A	N/A	N/A
			40	24"	20"	16"	12"	12"	N/A	N/A	N/A
			50	24"	20"	16"	12"	12"	N/A	N/A	N/A
			60	24"	20"	16"	12"	12"	N/A	N/A	N/A
		70	24"	20"	16"	12"	12"	N/A	N/A	N/A	
>27 to 37 degrees (>6:12 to 9:12)		0	32"	28"	24"	20"	16"	12"	12"	N/A	
		10	32"	28"	24"	20"	16"	12"	12"	N/A	
		20	32"	28"	24"	20"	16"	12"	12"	N/A	
		30	32"	28"	24"	20"	16"	12"	12"	N/A	
		40	32"	28"	24"	20"	16"	12"	12"	N/A	
		50	32"	28"	24"	20"	16"	12"	12"	N/A	
		60	32"	28"	24"	20"	16"	12"	12"	N/A	
70		24"	24"	24"	20"	16"	12"	12"	N/A		
>37 to 45 degrees (>9:12 to 12:12)	0	32"	28"	24"	20"	16"	12"	12"	N/A		
	10	32"	28"	24"	20"	16"	12"	12"	N/A		
	20	32"	28"	24"	20"	16"	12"	12"	N/A		
	30	32"	28"	24"	20"	16"	12"	12"	N/A		
	40	32"	28"	24"	20"	16"	12"	12"	N/A		
	50	32"	28"	24"	20"	16"	12"	12"	N/A		
	60	32"	28"	24"	20"	16"	12"	12"	N/A		
70	32"	28"	24"	20"	16"	12"	12"	N/A			

Table 8.C Leveling Foot Max. Spacing, Portrait Orientation, Exposure C, Leveling Foot on Schletter Fix2000 on 22 Gage Trapezoidal Roof

Exposure	Roof Zone	Slope	Ground Snow Load, p <sub>g</sub> (psf)	Basic Wind Speed (mph)							
				85	90	100	110	120	130	140	150
Exposure Category C	Roof Zone 1 - Interior	0 to 14 degrees (Flat to 3:12)	0	28"	24"	20"	16"	12"	12"	N/A	N/A
			10	28"	24"	20"	16"	12"	12"	N/A	N/A
			20	28"	24"	20"	16"	12"	12"	N/A	N/A
			30	28"	24"	20"	16"	12"	12"	N/A	N/A
			40	28"	24"	20"	16"	12"	12"	N/A	N/A
			50	28"	24"	20"	16"	12"	12"	N/A	N/A
			60	28"	24"	20"	16"	12"	12"	N/A	N/A
			70	24"	24"	20"	16"	12"	12"	N/A	N/A
		>14 to 27 degrees (>3:12 to 6:12)	0	32"	28"	20"	16"	12"	12"	N/A	N/A
			10	32"	28"	20"	16"	12"	12"	N/A	N/A
			20	32"	28"	20"	16"	12"	12"	N/A	N/A
			30	32"	28"	20"	16"	12"	12"	N/A	N/A
			40	32"	28"	20"	16"	12"	12"	N/A	N/A
			50	32"	28"	20"	16"	12"	12"	N/A	N/A
			60	28"	28"	20"	16"	12"	12"	N/A	N/A
			70	24"	24"	20"	16"	12"	12"	N/A	N/A
		>27 to 37 degrees (>6:12 to 9:12)	0	28"	24"	20"	16"	12"	12"	N/A	N/A
			10	28"	24"	20"	16"	12"	12"	N/A	N/A
			20	28"	24"	20"	16"	12"	12"	N/A	N/A
			30	28"	24"	20"	16"	12"	12"	N/A	N/A
			40	28"	24"	20"	16"	12"	12"	N/A	N/A
			50	28"	24"	20"	16"	12"	12"	N/A	N/A
			60	28"	24"	20"	16"	12"	12"	N/A	N/A
			70	24"	24"	20"	16"	12"	12"	N/A	N/A
	>37 to 45 degrees (>9:12 to 12:12)	0	28"	24"	20"	16"	12"	N/A	N/A	N/A	
		10	28"	24"	20"	16"	12"	N/A	N/A	N/A	
		20	28"	24"	20"	16"	12"	N/A	N/A	N/A	
		30	28"	24"	20"	16"	12"	N/A	N/A	N/A	
		40	28"	24"	20"	16"	12"	N/A	N/A	N/A	
		50	28"	24"	20"	16"	12"	N/A	N/A	N/A	
		60	28"	24"	20"	16"	12"	N/A	N/A	N/A	
		70	28"	24"	20"	16"	12"	N/A	N/A	N/A	
	Roof Zone 2 - Edge	0 to 14 degrees (Flat to 3:12)	0	16"	12"	12"	N/A	N/A	N/A	N/A	N/A
			10	16"	12"	12"	N/A	N/A	N/A	N/A	N/A
			20	16"	12"	12"	N/A	N/A	N/A	N/A	N/A
			30	16"	12"	12"	N/A	N/A	N/A	N/A	N/A
			40	16"	12"	12"	N/A	N/A	N/A	N/A	N/A
			50	16"	12"	12"	N/A	N/A	N/A	N/A	N/A
			60	16"	12"	12"	N/A	N/A	N/A	N/A	N/A
			70	16"	12"	12"	N/A	N/A	N/A	N/A	N/A
		>14 to 27 degrees (>3:12 to 6:12)	0	16"	12"	12"	N/A	N/A	N/A	N/A	N/A
			10	16"	12"	12"	N/A	N/A	N/A	N/A	N/A
			20	16"	12"	12"	N/A	N/A	N/A	N/A	N/A
			30	16"	12"	12"	N/A	N/A	N/A	N/A	N/A
			40	16"	12"	12"	N/A	N/A	N/A	N/A	N/A
			50	16"	12"	12"	N/A	N/A	N/A	N/A	N/A
			60	16"	12"	12"	N/A	N/A	N/A	N/A	N/A
			70	16"	12"	12"	N/A	N/A	N/A	N/A	N/A
>27 to 37 degrees (>6:12 to 9:12)		0	24"	20"	16"	12"	12"	N/A	N/A	N/A	
		10	24"	20"	16"	12"	12"	N/A	N/A	N/A	
		20	24"	20"	16"	12"	12"	N/A	N/A	N/A	
		30	24"	20"	16"	12"	12"	N/A	N/A	N/A	
		40	24"	20"	16"	12"	12"	N/A	N/A	N/A	
		50	24"	20"	16"	12"	12"	N/A	N/A	N/A	
		60	24"	20"	16"	12"	12"	N/A	N/A	N/A	
		70	24"	20"	16"	12"	12"	N/A	N/A	N/A	
>37 to 45 degrees (>9:12 to 12:12)	0	24"	20"	16"	12"	12"	N/A	N/A	N/A		
	10	24"	20"	16"	12"	12"	N/A	N/A	N/A		
	20	24"	20"	16"	12"	12"	N/A	N/A	N/A		
	30	24"	20"	16"	12"	12"	N/A	N/A	N/A		
	40	24"	20"	16"	12"	12"	N/A	N/A	N/A		
	50	24"	20"	16"	12"	12"	N/A	N/A	N/A		
	60	24"	20"	16"	12"	12"	N/A	N/A	N/A		
	70	24"	20"	16"	12"	12"	N/A	N/A	N/A		

Table 8.D Leveling Foot Max. Spacing, Portrait Orientation, Exposure D, Leveling Foot on Schletter Fix2000 on 22 Gage Trapezoidal Roof

Exposure	Roof Zone	Slope	Ground Snow Load, p <sub>g</sub> (psf)	Basic Wind Speed (mph)							
				85	90	100	110	120	130	140	150
Exposure Category D	Roof Zone 1 - Interior	0 to 14 degrees (Flat to 3:12)	0	24"	20"	16"	12"	N/A	N/A	N/A	N/A
			10	24"	20"	16"	12"	N/A	N/A	N/A	N/A
			20	24"	20"	16"	12"	N/A	N/A	N/A	N/A
			30	24"	20"	16"	12"	N/A	N/A	N/A	N/A
			40	24"	20"	16"	12"	N/A	N/A	N/A	N/A
			50	24"	20"	16"	12"	N/A	N/A	N/A	N/A
			60	24"	20"	16"	12"	N/A	N/A	N/A	N/A
			70	24"	20"	16"	12"	N/A	N/A	N/A	N/A
		>14 to 27 degrees (>3:12 to 6:12)	0	24"	24"	16"	12"	12"	N/A	N/A	N/A
			10	24"	24"	16"	12"	12"	N/A	N/A	N/A
			20	24"	24"	16"	12"	12"	N/A	N/A	N/A
			30	24"	24"	16"	12"	12"	N/A	N/A	N/A
			40	24"	24"	16"	12"	12"	N/A	N/A	N/A
			50	24"	24"	16"	12"	12"	N/A	N/A	N/A
			60	24"	24"	16"	12"	12"	N/A	N/A	N/A
			70	24"	24"	16"	12"	12"	N/A	N/A	N/A
		>27 to 37 degrees (>6:12 to 9:12)	0	24"	20"	16"	12"	N/A	N/A	N/A	N/A
			10	24"	20"	16"	12"	N/A	N/A	N/A	N/A
			20	24"	20"	16"	12"	N/A	N/A	N/A	N/A
			30	24"	20"	16"	12"	N/A	N/A	N/A	N/A
			40	24"	20"	16"	12"	N/A	N/A	N/A	N/A
			50	24"	20"	16"	12"	N/A	N/A	N/A	N/A
			60	24"	20"	16"	12"	N/A	N/A	N/A	N/A
			70	24"	20"	16"	12"	N/A	N/A	N/A	N/A
	>37 to 45 degrees (>9:12 to 12:12)	0	24"	20"	16"	12"	N/A	N/A	N/A	N/A	
		10	24"	20"	16"	12"	N/A	N/A	N/A	N/A	
		20	24"	20"	16"	12"	N/A	N/A	N/A	N/A	
		30	24"	20"	16"	12"	N/A	N/A	N/A	N/A	
		40	24"	20"	16"	12"	N/A	N/A	N/A	N/A	
		50	24"	20"	16"	12"	N/A	N/A	N/A	N/A	
		60	24"	20"	16"	12"	N/A	N/A	N/A	N/A	
		70	24"	20"	16"	12"	N/A	N/A	N/A	N/A	
	Roof Zone 2 - Edge	0 to 14 degrees (Flat to 3:12)	0	12"	12"	N/A	N/A	N/A	N/A	N/A	N/A
			10	12"	12"	N/A	N/A	N/A	N/A	N/A	N/A
			20	12"	12"	N/A	N/A	N/A	N/A	N/A	N/A
			30	12"	12"	N/A	N/A	N/A	N/A	N/A	N/A
			40	12"	12"	N/A	N/A	N/A	N/A	N/A	N/A
			50	12"	12"	N/A	N/A	N/A	N/A	N/A	N/A
			60	12"	12"	N/A	N/A	N/A	N/A	N/A	N/A
			70	12"	12"	N/A	N/A	N/A	N/A	N/A	N/A
		>14 to 27 degrees (>3:12 to 6:12)	0	12"	12"	N/A	N/A	N/A	N/A	N/A	N/A
			10	12"	12"	N/A	N/A	N/A	N/A	N/A	N/A
			20	12"	12"	N/A	N/A	N/A	N/A	N/A	N/A
			30	12"	12"	N/A	N/A	N/A	N/A	N/A	N/A
			40	12"	12"	N/A	N/A	N/A	N/A	N/A	N/A
			50	12"	12"	N/A	N/A	N/A	N/A	N/A	N/A
			60	12"	12"	N/A	N/A	N/A	N/A	N/A	N/A
			70	12"	12"	N/A	N/A	N/A	N/A	N/A	N/A
>27 to 37 degrees (>6:12 to 9:12)		0	20"	16"	12"	12"	N/A	N/A	N/A	N/A	
		10	20"	16"	12"	12"	N/A	N/A	N/A	N/A	
		20	20"	16"	12"	12"	N/A	N/A	N/A	N/A	
		30	20"	16"	12"	12"	N/A	N/A	N/A	N/A	
		40	20"	16"	12"	12"	N/A	N/A	N/A	N/A	
		50	20"	16"	12"	12"	N/A	N/A	N/A	N/A	
		60	20"	16"	12"	12"	N/A	N/A	N/A	N/A	
		70	20"	16"	12"	12"	N/A	N/A	N/A	N/A	
>37 to 45 degrees (>9:12 to 12:12)	0	20"	16"	12"	12"	N/A	N/A	N/A	N/A		
	10	20"	16"	12"	12"	N/A	N/A	N/A	N/A		
	20	20"	16"	12"	12"	N/A	N/A	N/A	N/A		
	30	20"	16"	12"	12"	N/A	N/A	N/A	N/A		
	40	20"	16"	12"	12"	N/A	N/A	N/A	N/A		
	50	20"	16"	12"	12"	N/A	N/A	N/A	N/A		
	60	20"	16"	12"	12"	N/A	N/A	N/A	N/A		
	70	20"	16"	12"	12"	N/A	N/A	N/A	N/A		