

0550 Zep Solar

Zep System II - UK

Compliance Report

Client

Zep Solar, Inc.
161 Mitchell Blvd
San Rafael, CA 94903
USA

Structural Engineering

TEUFFEL ENGINEERING CONSULTANTS
Ingenieurgesellschaft mbH

Blumenstr. 36
70182 Stuttgart

T +49.711.227 43 40
F +49.711.227 43 55

info@patrick-teuffel.com
www.patrik-teuffel.com

Project manager:

Dipl.-Ing. (FH) Benny Hillers
benny.hillers@patrick-teuffel.com

Stuttgart, December 16, 2011



Table of Contents

1	Introduction	4
2	Requirements	5
3	Annex A – Overview Drawings	7
4	Annex B – Span Tables	14

Report Revision History

The following revisions have been implemented in this report.

Revision	Date	Modification
-	2011-11-23	Preliminary
	2011-12-16	Established

STRUCTURAL CODES OF PRACTICE USED FOR THE REVIEW OF "ZSII SYSTEM"

Eurocode 0 – Basis of structural design

BS-EN-1990

UK National Annex (NA) for Eurocode 0 – Basis of structural design

NA to BS-EN -1990

Eurocode 1 – Action on structures

Part 1-3: General actions – Snow loads

BS-EN-1991-1-3

UK National Annex (NA) for Eurocode 1 – Part 1-3: General actions – Snow loads

NA to BS-EN -1991-1-3

Eurocode 1 – Action on structures

Part 1-4: General actions – Wind actions

BS-EN-1991-1-4

UK National Annex (NA) for Eurocode 1 – Part 1-4: General actions – Wind actions

NA to BS-EN -1991-1-4

Eurocode 5 – Design of timber structures

Part 1-1: Common rules and rules for buildings

EN-1995-1-1

1 Introduction

The Zep System II photovoltaic mounting system has been reviewed according to British European Standard. The Zep System II photovoltaic mounting system complies with the required structural criteria in European Standards including the National Annex of the United Kingdom.

Zep System II consists of Leveling Feet or Big Feet with Cam Feet, Interlocks, Hybrid Interlocks, and Ground Zeps. The system has been analyzed for Zep Compatible PV Modules with maximum dimensions of 992mm x 1650mm. Leveling Feet or Big Feet may be mounted to the following roof types with the methods listed below:

- Metal Corrugated Roofs
 - Big Feet Assembly mounted directly to the peaks of the metal corrugated roof and screwed into the wooden or metal battens with specified screws.
- Metal Trapezoid Roofs
 - Leveling Feet mounted to a Schletter Inc. Fix2000 attached to a trapezoidal metal roof with screws provided by Schletter Inc.
- Metal Standing Seam Roofs
 - Leveling Feet bolted with a stainless steel machine bolt to a standing seam roof through an S-5-S or S-5-E clamp by S-5!®.
 - Leveling Feet mounted directly to the pan of a standing seam metal roof and screwed to the framing with stainless steel lag screws.
- Composition Shingle Roofs
 - Leveling Feet mounted to a standoff/flashing combination that is screwed to the roof framing with stainless steel lag screws or mounted directly to the roof and screwed to the roof framing with stainless steel lag screws.

The attached tables define maximum Leveling Foot or Cam Foot spacing requirements for a range of wind exposure categories, wind speeds, roof zones, roof slopes, and ground snow loads. Leveling Foot or Cam Foot spacing in the tables are calculated based on allowable upward, downward, and lateral load values. These load values are determined through test calculations, first principle calculations, and from technical data sheets from each of the manufacturers.

2 Requirements

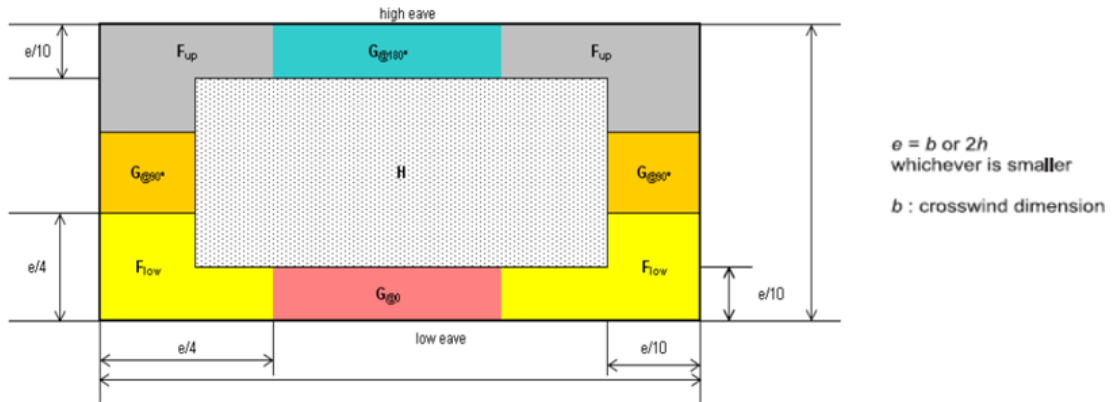
1. Loads were tested and controlled according to structural standards (BS EN 1991 1-4) for the United Kingdom.
2. The basic wind velocity for the United Kingdom was determined according to zonal wind map in British Structural code of practice BS EN 1991 1-4/Part 1 of the National Annex.
3. The influence of altitude is considered according to British Structural code of practice (BS EN 1991 1-4/Part 2 of the National Annex).
4. The terrain category was determined according to Annex A in BS EN 1991 1-4. The exposure factors c_e and c_t for the terrain categories are considered in the span tables and the worst case is always chosen for the wind load calculation.
5. Exposed areas are not part of this calculation and should be determined separately.
6. Load combinations are calculated using the British Structural code of practice BS EN 1990.
7. The maximum roof slope is 60° ($\alpha = 60^\circ$).
8. The bottom of the Rockit is a maximum of 32mm above the top of the Leveling Foot as shown in the attachment "Leveling Foot on S-5! Clamp Permitted Orientations"
9. Lag screws for the Big Foot are also determined according to European Wood/Timber Construction Standards of EN 1995 (European Code 5). The diameter of the Lag screw is 6mm for woods with a characteristic bulk density of $\geq 350\text{kg/m}^3$ and a wood classification of $\geq \text{C24}$. The anchoring depth is $\geq 38\text{mm}$.
10. Lag screws for the Leveling Foot are determined according to the Eurocode 5, EN 1995-1-1 for the design of timber structures. The diameter of the Lag screw is 8mm for woods with a characteristic bulk density of $\geq 350\text{kg/m}^3$ and a wood classification of $\geq \text{C24}$. The anchoring depth is $\geq 64\text{mm}$.
11. The c_p -values for flat roofs, trough roofs, mono-and duo-pitched roofs are considered in accordance with the tables NA.5 – NA 7b from the British Structural Code of Practice BS EN 1991 1-4/Part 2 of the National Annex. The layout of the roof zonal areas for flat roofs, trough roofs, mono-and duo-pitched roofs are also determined according to Section 7 of British Structural Code of Practice BS EN 1991 1-4.
12. The maximum allowable height roof height for "Zep System II" is 200m.
13. The basic maximum roof height in the span tables is 10m. The basic allowable altitude in the span tables is 150m a.s.l. (above sea level). With these assumptions, a large number of projects in United Kingdom can be realised. Buildings with a height higher than 10m and an altitude of above 150m a.s.l. (above sea level) are not considered in the span tables. For

roof heights and/or building elevations not covered in these span tables, please refer to the online design tool, the Zepulator (www.Zepulator.com) or contact Zep Solar, Inc.

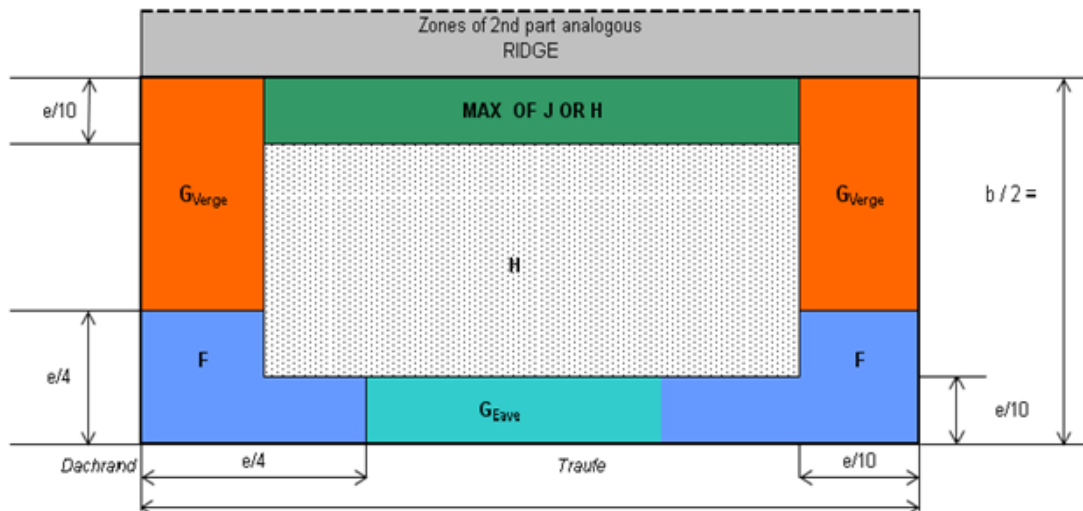
14. The zonal mapping of the snow load areas is determined according to British Structural code of practice (BS EN 1991 1-3/Part 2 of the National Annex).
15. The shape coefficient of the roofs is determined in accordance with DIN EN 1991-1-3.
16. The snow load calculation is done according to BS EN 1991-1-3/National Annex.
17. The span tables take into account the positioning and orientation of the modules in determining the allowable span length. The modules can be installed in “landscape” orientation, with the long sides of the modules perpendicular to roof rafters that run with the roof slope. The modules can also be installed in “portrait” orientation, with long sides running the rafters and roof slope.

3 Annex A – Overview Drawings

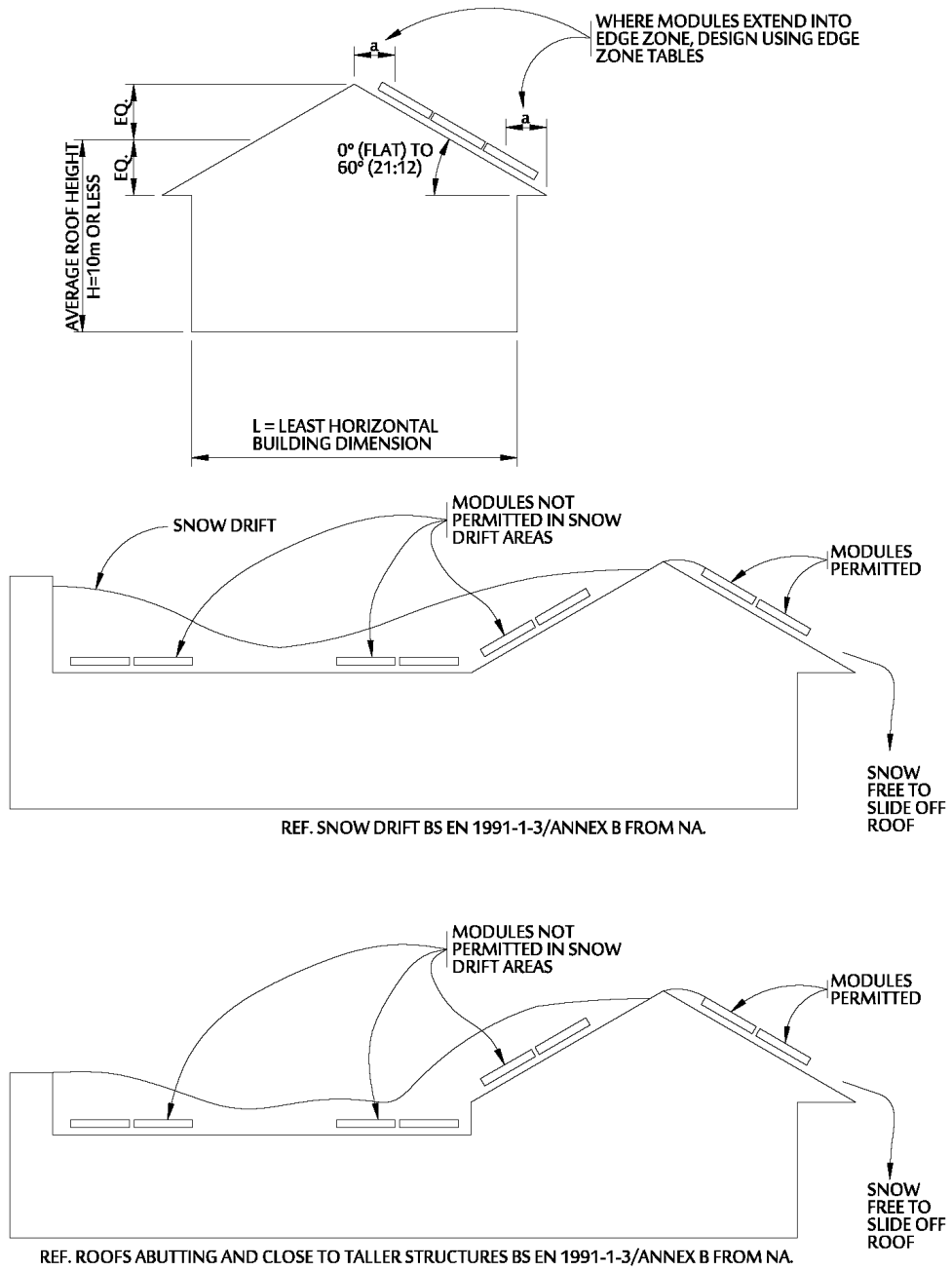
Flat or Mono-pitch Roof



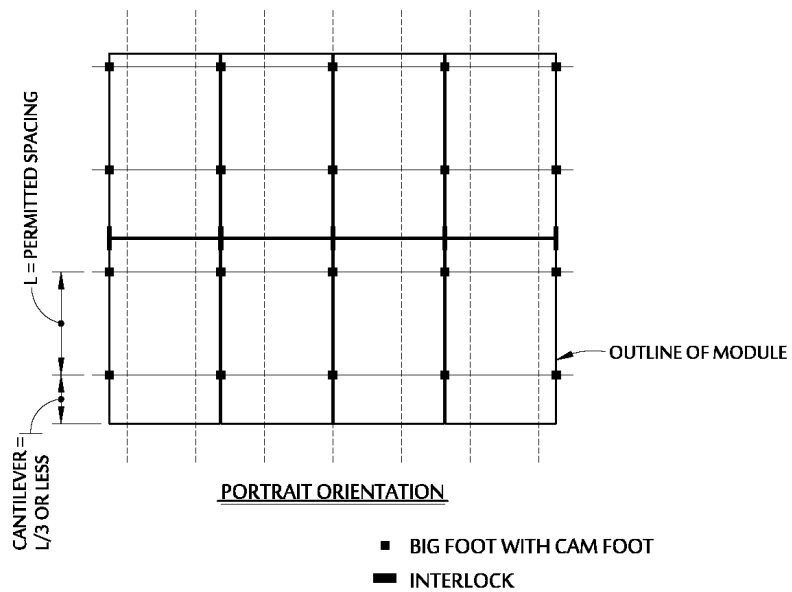
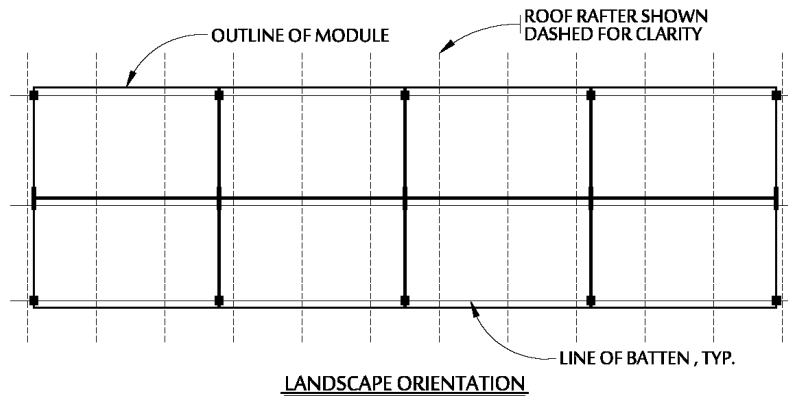
Duo-pitch Roof



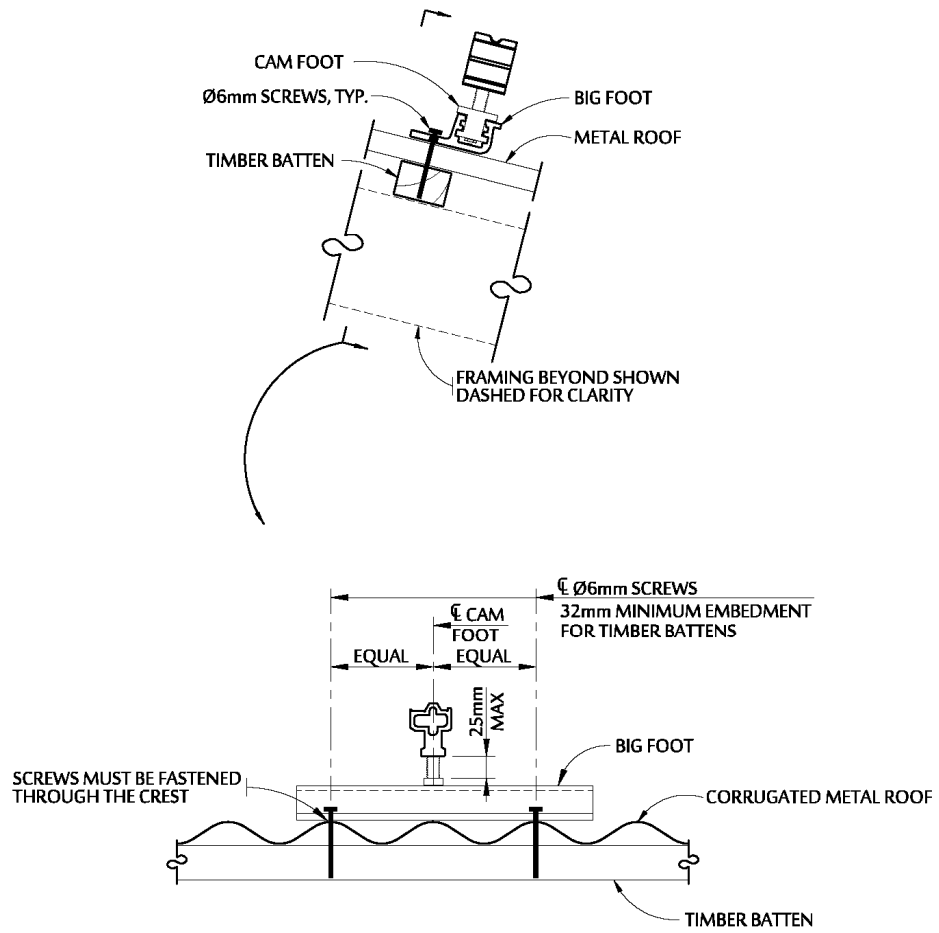
ROOF ZONES



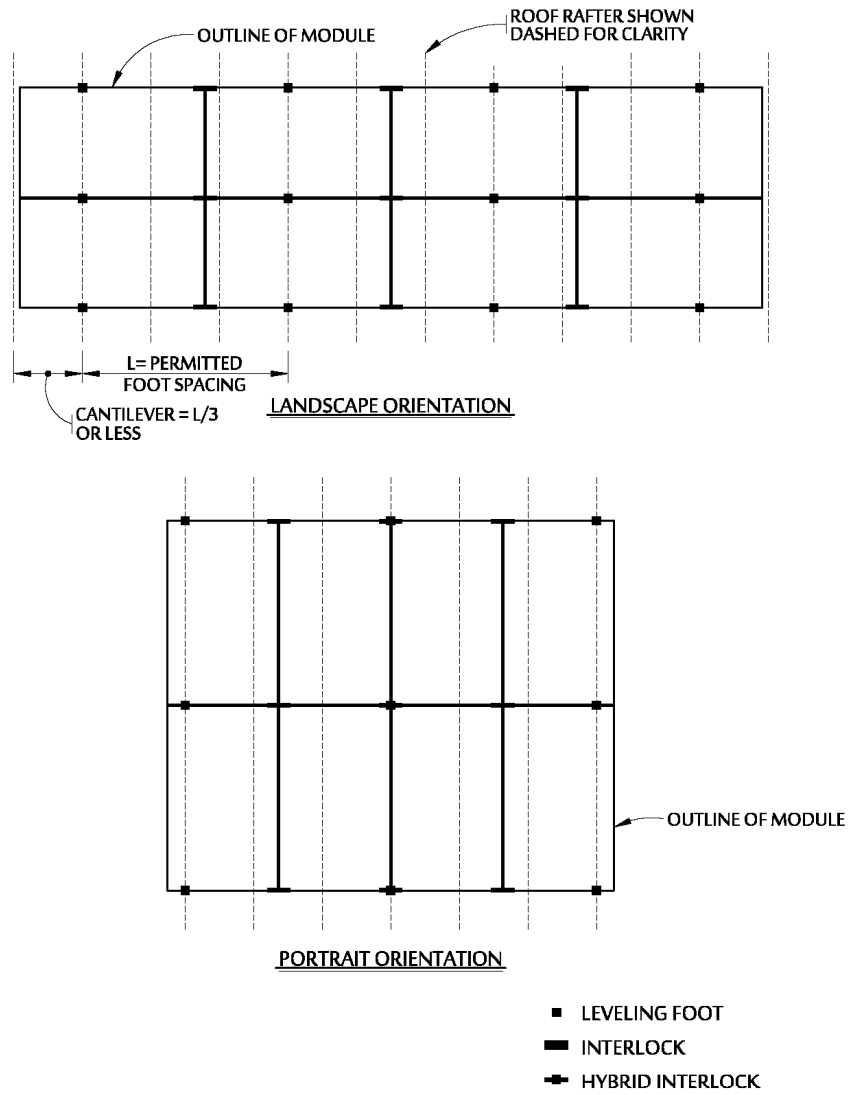
PERMITTED MODULE LOCATIONS ON ROOF



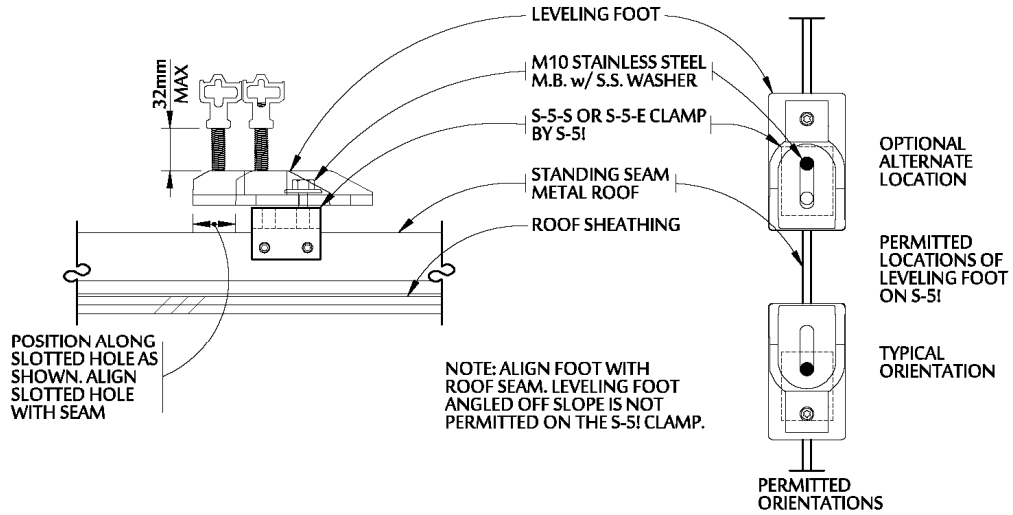
BIG FOOT PLAN VIEW



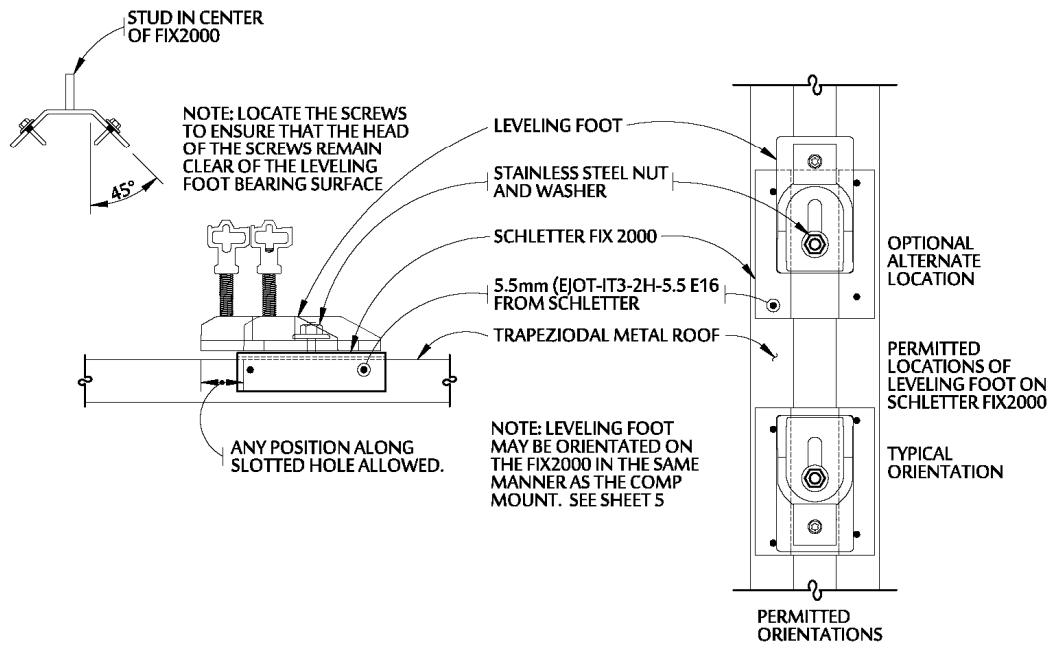
BIG FOOT ON CORRUGATED METAL ROOF



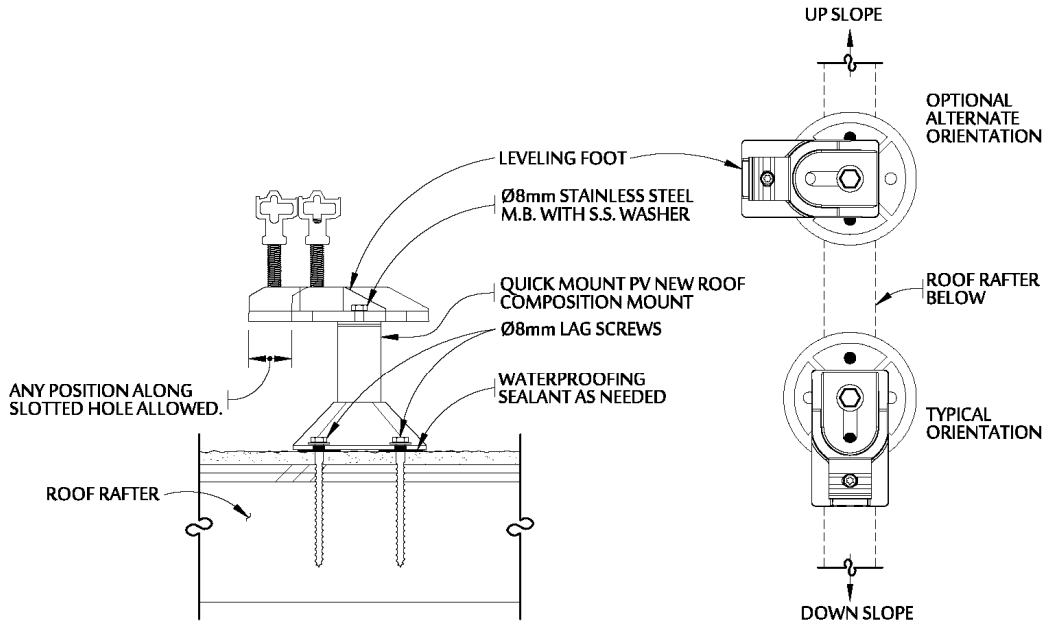
LEVELING FOOT PLAN VIEW



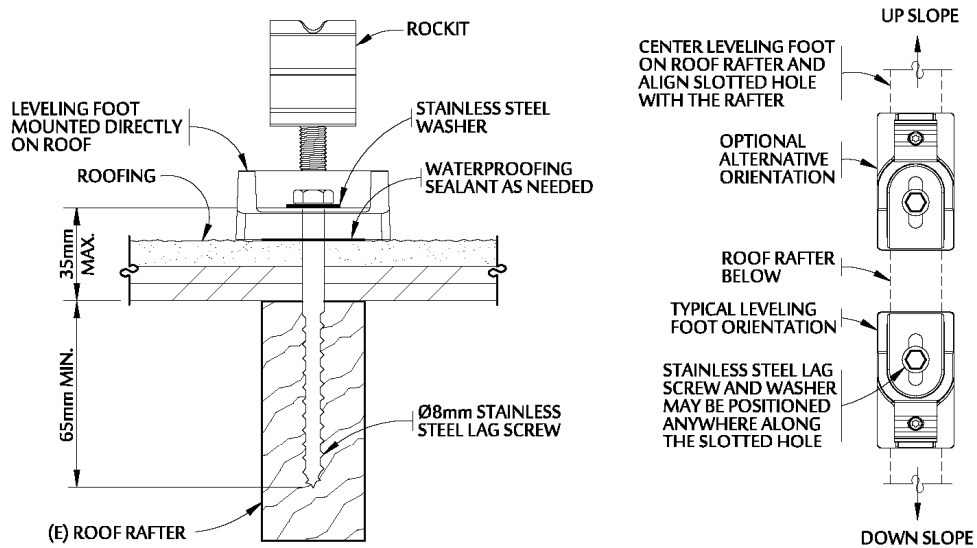
LEVELING FOOT ON S-5! CLAMP PERMITTED ORIENTATIONS



LEVELING FOOT ON SCHLETTER FIX2000 PERMITTED ORIENTATIONS



LEVELING FOOT ON QUICK MOUNT PV NEW ROOF COMPOSITION MOUNT PERMITTED ORIENTATIONS



LEVELING FOOT MOUNTED DIRECTLY ON ROOF

4 Annex B – Span Tables

Flat or Mono-pitch Roof

Table 1.A Leveling Foot Max. Spacing, Landscape Orientation, Direct Mount

Roof Zone	Roof Pitch	Terrain Category	All terrain categories less than 5km from shoreline					All terrain categories more than 5km from shoreline; less than 5km inside town terrain (only III+IV)					Terrain Categories III+IV more than 10km from Shoreline; more than 5km inside town terrain				
			Wind Speed	22	24	26	28	30	22	24	26	28	30	22	24	26	28
		Snow Zone															
H	0-15	1	1800	1800	1546	1323	1145	1800	1800	1708	1460	1263	1800	1800	1800	1800	1569
		2	1800	1800	1546	1323	1145	1800	1800	1708	1460	1263	1800	1800	1800	1800	1569
		3	1800	1800	1546	1323	1145	1800	1800	1708	1460	1263	1800	1800	1800	1800	1569
		4	1800	1800	1546	1323	1145	1800	1800	1708	1460	1263	1800	1800	1800	1800	1569
		5	1800	1800	1546	1323	1145	1800	1800	1708	1460	1263	1800	1800	1800	1800	1569
		6.5	1800	1800	1546	1323	1145	1800	1800	1708	1460	1263	1800	1800	1800	1800	1569
	>15-30	1	1800	1628	1376	1179	1022	1800	1798	1518	1300	1126	1800	1800	1800	1614	1396
		2	1800	1628	1376	1179	1022	1800	1798	1518	1300	1126	1800	1800	1800	1614	1396
		3	1800	1628	1376	1179	1022	1800	1798	1518	1300	1126	1800	1800	1800	1614	1396
		4	1800	1628	1376	1179	1022	1800	1798	1518	1300	1126	1800	1800	1800	1614	1396
		5	1800	1628	1376	1179	1022	1800	1798	1518	1300	1126	1800	1800	1800	1614	1396
		6.5	1784	1628	1376	1179	1022	1784	1784	1518	1300	1126	1784	1784	1784	1614	1396
	>30-45	1	1800	1612	1365	1171	1015	1800	1778	1504	1289	1118	1800	1800	1800	1598	1384
		2	1800	1612	1365	1171	1015	1800	1778	1504	1289	1118	1800	1800	1800	1598	1384
		3	1800	1612	1365	1171	1015	1800	1778	1504	1289	1118	1800	1800	1800	1598	1384
		4	1800	1612	1365	1171	1015	1800	1778	1504	1289	1118	1800	1800	1800	1598	1384
		5	1800	1612	1365	1171	1015	1800	1778	1504	1289	1118	1800	1800	1800	1598	1384
		6.5	1798	1612	1365	1171	1015	1798	1778	1504	1289	1118	1798	1798	1798	1598	1384
	>45-60	1	1800	1681	1423	1220	1058	1800	1800	1568	1344	1166	1800	1800	1800	1666	1443
		2	1800	1681	1423	1220	1058	1800	1800	1568	1344	1166	1800	1800	1800	1666	1443
		3	1800	1681	1423	1220	1058	1800	1800	1568	1344	1166	1800	1800	1800	1666	1443
		4	1800	1681	1423	1220	1058	1800	1800	1568	1344	1166	1800	1800	1800	1666	1443
		5	1800	1681	1423	1220	1058	1800	1800	1568	1344	1166	1800	1800	1800	1666	1443
		6.5	1800	1681	1423	1220	1058	1800	1800	1568	1344	1166	1800	1800	1800	1666	1443
F _{up}	0-15	1	726	607	515	443	N/A	799	668	567	487	410	989	826	700	602	523
		2	726	607	515	443	N/A	799	668	567	487	410	989	826	700	602	523
		3	726	607	515	443	N/A	799	668	567	487	410	989	826	700	602	523
		4	726	607	515	443	N/A	799	668	567	487	410	989	826	700	602	523
		5	726	607	515	443	N/A	799	668	567	487	410	989	826	700	602	523
		6.5	726	607	515	443	N/A	799	668	567	487	410	989	826	700	602	523
	>15-30	1	743	622	528	454	N/A	818	684	581	499	434	1013	846	717	616	535
		2	743	622	528	454	N/A	818	684	581	499	434	1013	846	717	616	535
		3	743	622	528	454	N/A	818	684	581	499	434	1013	846	717	616	535
		4	743	622	528	454	N/A	818	684	581	499	434	1013	846	717	616	535
		5	743	622	528	454	N/A	818	684	581	499	434	1013	846	717	616	535
		6.5	743	622	528	454	N/A	818	684	581	499	434	1013	846	717	616	535
	>30-45	1	1130	944	800	688	597	1246	1040	881	757	657	1546	1288	1090	936	812
		2	1130	944	800	688	597	1246	1040	881	757	657	1546	1288	1090	936	812
		3	1130	944	800	688	597	1246	1040	881	757	657	1546	1288	1090	936	812
		4	1130	944	800	688	597	1246	1040	881	757	657	1546	1288	1090	936	812
		5	1130	944	800	688	597	1246	1040	881	757	657	1546	1288	1090	936	812
		6.5	1130	944	800	688	597	1246	1040	881	757	657	1546	1288	1090	936	812
	>45-60	1	1284	1073	910	782	680	1415	1182	1002	861	748	1755	1463	1239	1064	923
		2	1284	1073	910	782	680	1415	1182	1002	861	748	1755	1463	1239	1064	923
		3	1284	1073	910	782	680	1415	1182	1002	861	748	1755	1463	1239	1064	923
		4	1284	1073	910	782	680	1415	1182	1002	861	748	1755	1463	1239	1064	923
		5	1284	1073	910	782	680	1415	1182	1002	861	748	1755	1463	1239	1064	923
		6.5	1284	1073	910	782	680	1415	1182	1002	861	748	1755	1463	1239	1064	923

Flat or Mono-pitch Roof

Table 1.C Leveling Foot Max. Spacing, Landscape Orientation, Direct Mount

Roof Zone	Roof Pitch	Terrain Category	All terrain categories less than 5km from shoreline					All terrain categories more than 5km from shoreline; less than 5km inside town terrain (only III+IV)					Terrain Categories III+IV more than 10km from Shoreline; more than 5km inside town terrain				
			Wind Speed	22	24	26	28	30	22	24	26	28	30	22	24	26	28
		Snow Zone															
G@90	0-15	1	1383	1152	975	836	725	1526	1271	1075	921	799	1800	1579	1334	1142	989
		2	1383	1152	975	836	725	1526	1271	1075	921	799	1800	1579	1334	1142	989
		3	1383	1152	975	836	725	1526	1271	1075	921	799	1800	1579	1334	1142	989
		4	1383	1152	975	836	725	1526	1271	1075	921	799	1800	1579	1334	1142	989
		5	1383	1152	975	836	725	1526	1271	1075	921	799	1800	1579	1334	1142	989
		6.5	1383	1152	975	836	725	1526	1271	1075	921	799	1800	1579	1334	1142	989
	>15-30	1	1614	1345	1138	976	847	1782	1483	1254	1075	932	1800	1800	1557	1333	1154
		2	1614	1345	1138	976	847	1782	1483	1254	1075	932	1800	1800	1557	1333	1154
		3	1614	1345	1138	976	847	1782	1483	1254	1075	932	1800	1800	1557	1333	1154
		4	1614	1345	1138	976	847	1782	1483	1254	1075	932	1800	1800	1557	1333	1154
		5	1614	1345	1138	976	847	1782	1483	1254	1075	932	1800	1800	1557	1333	1154
		6.5	1614	1345	1138	976	847	1782	1483	1254	1075	932	1784	1784	1557	1333	1154
	>30-45	1	1598	1334	1130	970	842	1763	1470	1245	1068	927	1800	1800	1542	1322	1146
		2	1598	1334	1130	970	842	1763	1470	1245	1068	927	1800	1800	1542	1322	1146
		3	1598	1334	1130	970	842	1763	1470	1245	1068	927	1800	1800	1542	1322	1146
		4	1598	1334	1130	970	842	1763	1470	1245	1068	927	1800	1800	1542	1322	1146
		5	1598	1334	1130	970	842	1763	1470	1245	1068	927	1800	1800	1542	1322	1146
		6.5	1598	1334	1130	970	842	1763	1470	1245	1068	927	1798	1798	1542	1322	1146
	>45-60	1	1578	1319	1120	963	837	1738	1452	1232	1059	920	1800	1797	1523	1308	1135
		2	1578	1319	1120	963	837	1738	1452	1232	1059	920	1800	1797	1523	1308	1135
		3	1578	1319	1120	963	837	1738	1452	1232	1059	920	1800	1797	1523	1308	1135
		4	1578	1319	1120	963	837	1738	1452	1232	1059	920	1800	1797	1523	1308	1135
		5	1578	1319	1120	963	837	1738	1452	1232	1059	920	1800	1797	1523	1308	1135
		6.5	1578	1319	1120	963	837	1738	1452	1232	1059	920	1800	1797	1523	1308	1135
G@180	0-15	1	1383	1152	975	836	725	1526	1271	1075	921	799	1800	1579	1334	1142	989
		2	1383	1152	975	836	725	1526	1271	1075	921	799	1800	1579	1334	1142	989
		3	1383	1152	975	836	725	1526	1271	1075	921	799	1800	1579	1334	1142	989
		4	1383	1152	975	836	725	1526	1271	1075	921	799	1800	1579	1334	1142	989
		5	1383	1152	975	836	725	1526	1271	1075	921	799	1800	1579	1334	1142	989
		6.5	1383	1152	975	836	725	1526	1271	1075	921	799	1800	1579	1334	1142	989
	>15-30	1	1800	1628	1376	1179	1022	1800	1798	1518	1300	1126	1800	1800	1800	1614	1396
		2	1800	1628	1376	1179	1022	1800	1798	1518	1300	1126	1800	1800	1800	1614	1396
		3	1800	1628	1376	1179	1022	1800	1798	1518	1300	1126	1800	1800	1800	1614	1396
		4	1800	1628	1376	1179	1022	1800	1798	1518	1300	1126	1800	1800	1800	1614	1396
		5	1800	1628	1376	1179	1022	1800	1798	1518	1300	1126	1800	1800	1800	1614	1396
		6.5	1784	1628	1376	1179	1022	1784	1784	1518	1300	1126	1784	1784	1784	1614	1396
	>30-45	1	1800	1651	1395	1195	1036	1800	1800	1539	1318	1141	1800	1800	1800	1636	1415
		2	1800	1651	1395	1195	1036	1800	1800	1539	1318	1141	1800	1800	1800	1636	1415
		3	1800	1651	1395	1195	1036	1800	1800	1539	1318	1141	1800	1800	1800	1636	1415
		4	1800	1651	1395	1195	1036	1800	1800	1539	1318	1141	1800	1800	1800	1636	1415
		5	1800	1651	1395	1195	1036	1800	1800	1539	1318	1141	1800	1800	1800	1636	1415
		6.5	1798	1651	1395	1195	1036	1798	1798	1539	1318	1141	1798	1798	1798	1636	1415
	>45-60	1	1800	1800	1736	1487	1289	1800	1800	1800	1639	1420	1800	1800	1800	1800	1761
		2	1800	1800	1736	1487	1289	1800	1800	1800	1639	1420	1800	1800	1800	1800	1761
		3	1800	1800	1736	1487	1289	1800	1800	1800	1639	1420	1800	1800	1800	1800	1761
		4	1800	1800	1736	1487	1289	1800	1800	1800	1639	1420	1800	1800	1800	1800	1761
		5	1800	1800	1736	1487	1289	1800	1800	1800	1639	1420	1800	1800	1800	1800	1761
		6.5	1800	1800	1736	1487	1289	1800	1800	1800	1639	1420	1800	1800	1800	1800	1761

Duo-Pitch Roof

Table 1.D Leveling Foot Max. Spacing, Landscape Orientation, Direct Mount

Roof Zone	Roof Pitch	Terrain Category	All terrain categories less than 5km from shoreline					All terrain categories more than 5km from shoreline; less than 5km inside town terrain (only III+IV)					Terrain Categories III+IV more than 10km from Shoreline; more than 5km inside town terrain							
			Wind Speed	22	24	26	28	30	22	24	26	28	30	22	24	26	28	30		
		Snow Zone																		
H	5-15	1	1800	1800	1800	1800	1755	1800	1800	1800	1800	1800	1800	1800	1800	1800	1800	1800	1800	
		2	1800	1800	1800	1800	1755	1800	1800	1800	1800	1800	1800	1800	1800	1800	1800	1800	1800	
		3	1800	1800	1800	1800	1755	1800	1800	1800	1800	1800	1800	1800	1800	1800	1800	1800	1800	1800
		4	1800	1800	1800	1800	1755	1800	1800	1800	1800	1800	1800	1800	1800	1800	1800	1800	1800	1800
		5	1800	1800	1800	1800	1755	1800	1800	1800	1800	1800	1800	1800	1800	1800	1800	1800	1800	1800
		6.5	1800	1800	1800	1800	1755	1800	1800	1800	1800	1800	1800	1800	1800	1800	1800	1800	1800	1800
	>15-30	1	1800	1800	1800	1770	1680	1800	1800	1800	1800	1740	1800	1800	1800	1800	1800	1800	1800	
		2	1800	1800	1800	1750	1660	1800	1800	1800	1800	1720	1800	1800	1800	1800	1800	1800	1800	
		3	1800	1800	1800	1730	1640	1800	1800	1800	1790	1700	1800	1800	1800	1800	1800	1800	1800	
		4	1641	1641	1641	1641	1620	1641	1641	1641	1641	1641	1641	1641	1641	1641	1641	1641	1641	1641
		5	1460	1460	1460	1460	1460	1460	1460	1460	1460	1460	1460	1460	1460	1460	1460	1460	1460	1460
		6.5	1253	1253	1253	1253	1253	1253	1253	1253	1253	1253	1253	1253	1253	1253	1253	1253	1253	1253
	>30-45	1	1800	1800	1800	1780	1680	1800	1800	1800	1800	1750	1800	1800	1800	1800	1800	1800	1800	
		2	1800	1800	1800	1760	1660	1800	1800	1800	1800	1730	1800	1800	1800	1800	1800	1800	1800	
		3	1800	1800	1800	1740	1640	1800	1800	1800	1800	1710	1800	1800	1800	1800	1800	1800	1800	
		4	1654	1654	1654	1654	1620	1654	1654	1654	1654	1654	1654	1654	1654	1654	1654	1654	1654	
		5	1473	1473	1473	1473	1473	1473	1473	1473	1473	1473	1473	1473	1473	1473	1473	1473	1473	
		6.5	1265	1265	1265	1265	1265	1265	1265	1265	1265	1265	1265	1265	1265	1265	1265	1265	1265	
	>45-60	1	1800	1800	1800	1673	1451	1800	1800	1800	1800	1598	1800	1800	1800	1800	1800	1800		
		2	1800	1800	1800	1673	1451	1800	1800	1800	1800	1598	1800	1800	1800	1800	1800	1800		
		3	1800	1800	1800	1673	1451	1800	1800	1800	1800	1598	1800	1800	1800	1800	1800	1800		
		4	1800	1800	1800	1673	1451	1800	1800	1800	1800	1598	1800	1800	1800	1800	1800	1800		
		5	1800	1800	1800	1673	1451	1800	1800	1800	1800	1598	1800	1800	1800	1800	1800	1800		
		6.5	1800	1800	1800	1673	1451	1800	1800	1800	1800	1598	1800	1800	1800	1800	1800	1800		
F	5-15	1	952	795	675	580	503	1050	876	743	638	554	1302	1085	919	788	684			
		2	952	795	675	580	503	1050	876	743	638	554	1302	1085	919	788	684			
		3	952	795	675	580	503	1050	876	743	638	554	1302	1085	919	788	684			
		4	952	795	675	580	503	1050	876	743	638	554	1302	1085	919	788	684			
		5	952	795	675	580	503	1050	876	743	638	554	1302	1085	919	788	684			
		6.5	952	795	675	580	503	1050	876	743	638	554	1302	1085	919	788	684			
	>15-30	1	1221	1018	863	741	643	1347	1122	950	815	708	1674	1393	1178	1009	875			
		2	1221	1018	863	741	643	1347	1122	950	815	708	1674	1393	1178	1009	875			
		3	1221	1018	863	741	643	1347	1122	950	815	708	1674	1393	1178	1009	875			
		4	1221	1018	863	741	643	1347	1122	950	815	708	1641	1393	1178	1009	875			
		5	1221	1018	863	741	643	1347	1122	950	815	708	1460	1393	1178	1009	875			
		6.5	1221	1018	863	741	643	1253	1122	950	815	708	1253	1253	1178	1009	875			
	>30-45	1	1598	1334	1130	970	842	1763	1470	1245	1068	927	1800	1800	1542	1322	1146			
		2	1598	1334	1130	970	842	1763	1470	1245	1068	927	1800	1800	1542	1322	1146			
		3	1598	1334	1130	970	842	1763	1470	1245	1068	927	1800	1800	1542	1322	1146			
		4	1598	1334	1130	970	842	1654	1470	1245	1068	927	1654	1654	1542	1322	1146			
		5	1473	1334	1130	970	842	1473	1470	1245	1068	927	1473	1473	1473	1322	1146			
		6.5	1265	1265	1130	970	842	1265	1265	1245	1068	927	1265	1265	1265	1265	1146			
	>45-60	1	1578	1319	1120	963	837	1738	1452	1232	1059	920	1800	1797	1523	1308	1135			
		2	1578	1319	1120	963	837	1738	1452	1232	1059	920	1800	1797	1523	1308	1135			
		3	1578	1319	1120	963	837	1738	1452	1232	1059	920	1800	1797	1523	1308	1135			
		4	1578	1319	1120	963	837	1738	1452	1232	1059	920	1800	1797	1523	1308	1135			
		5	1578	1319	1120	963	837	1738	1452	1232	1059	920	1800	1797	1523	1308	1135			
		6.5	1578	1319	1120	963	837	1738	1452	1232	1059	920	1800	1797	1523	1308	1135			

Duo-Pitch Roof

Table 1.E Leveling Foot Max. Spacing, Landscape Orientation, Direct Mount

Roof Zone	Roof Pitch	Terrain Category	All terrain categories less than 5km from shoreline					All terrain categories more than 5km from shoreline; less than 5km inside town terrain (only III+IV)					Terrain Categories III+IV more than 10km from Shoreline; more than 5km inside town terrain				
			Wind Speed	22	24	26	28	30	22	24	26	28	30	22	24	26	28
		Snow Zone															
G _{verge}	5-15	1	1284	1070	907	778	675	1416	1180	999	857	743	1762	1465	1238	1061	919
		2	1284	1070	907	778	675	1416	1180	999	857	743	1762	1465	1238	1061	919
		3	1284	1070	907	778	675	1416	1180	999	857	743	1762	1465	1238	1061	919
		4	1284	1070	907	778	675	1416	1180	999	857	743	1762	1465	1238	1061	919
		5	1284	1070	907	778	675	1416	1180	999	857	743	1762	1465	1238	1061	919
		6.5	1284	1070	907	778	675	1416	1180	999	857	743	1762	1465	1238	1061	919
	>15-30	1	1308	1090	923	792	688	1443	1202	1017	873	757	1796	1493	1261	1081	936
		2	1308	1090	923	792	688	1443	1202	1017	873	757	1796	1493	1261	1081	936
		3	1308	1090	923	792	688	1443	1202	1017	873	757	1796	1493	1261	1081	936
		4	1308	1090	923	792	688	1443	1202	1017	873	757	1641	1493	1261	1081	936
		5	1308	1090	923	792	688	1443	1202	1017	873	757	1460	1460	1261	1081	936
		6.5	1253	1090	923	792	688	1253	1202	1017	873	757	1253	1253	1253	1081	936
	>30-45	1	1598	1334	1130	970	842	1763	1470	1245	1068	927	1800	1800	1542	1322	1146
		2	1598	1334	1130	970	842	1763	1470	1245	1068	927	1800	1800	1542	1322	1146
		3	1598	1334	1130	970	842	1763	1470	1245	1068	927	1800	1800	1542	1322	1146
		4	1598	1334	1130	970	842	1654	1470	1245	1068	927	1654	1654	1542	1322	1146
		5	1473	1334	1130	970	842	1473	1470	1245	1068	927	1473	1473	1473	1322	1146
		6.5	1265	1265	1130	970	842	1265	1265	1245	1068	927	1265	1265	1265	1265	1146
	>45-60	1	1578	1319	1120	963	837	1738	1452	1232	1059	920	1800	1797	1523	1308	1135
		2	1578	1319	1120	963	837	1738	1452	1232	1059	920	1800	1797	1523	1308	1135
		3	1578	1319	1120	963	837	1738	1452	1232	1059	920	1800	1797	1523	1308	1135
		4	1578	1319	1120	963	837	1738	1452	1232	1059	920	1800	1797	1523	1308	1135
		5	1578	1319	1120	963	837	1738	1452	1232	1059	920	1800	1797	1523	1308	1135
		6.5	1578	1319	1120	963	837	1738	1452	1232	1059	920	1800	1797	1523	1308	1135
G _{eave}	5-15	1	1628	1354	1145	981	850	1798	1494	1262	1081	937	1800	1800	1569	1342	1161
		2	1628	1354	1145	981	850	1798	1494	1262	1081	937	1800	1800	1569	1342	1161
		3	1628	1354	1145	981	850	1798	1494	1262	1081	937	1800	1800	1569	1342	1161
		4	1628	1354	1145	981	850	1798	1494	1262	1081	937	1800	1800	1569	1342	1161
		5	1628	1354	1145	981	850	1798	1494	1262	1081	937	1800	1800	1569	1342	1161
		6.5	1628	1354	1145	981	850	1798	1494	1262	1081	937	1800	1800	1569	1342	1161
	>15-30	1	1800	1800	1800	1538	1330	1800	1800	1800	1698	1467	1800	1800	1800	1800	1800
		2	1800	1800	1800	1538	1330	1800	1800	1800	1698	1467	1800	1800	1800	1800	1800
		3	1800	1800	1800	1538	1330	1800	1800	1800	1698	1467	1800	1800	1800	1800	1800
		4	1641	1641	1641	1538	1330	1641	1641	1641	1641	1467	1641	1641	1641	1641	1641
		5	1460	1460	1460	1460	1330	1460	1460	1460	1460	1460	1460	1460	1460	1460	1460
		6.5	1253	1253	1253	1253	1253	1253	1253	1253	1253	1253	1253	1253	1253	1253	1253
	>30-45	1	1800	1800	1800	1780	1680	1800	1800	1800	1800	1750	1800	1800	1800	1800	1800
		2	1800	1800	1800	1760	1660	1800	1800	1800	1800	1730	1800	1800	1800	1800	1800
		3	1800	1800	1800	1740	1640	1800	1800	1800	1800	1710	1800	1800	1800	1800	1800
		4	1654	1654	1654	1654	1620	1654	1654	1654	1654	1654	1654	1654	1654	1654	1654
		5	1473	1473	1473	1473	1473	1473	1473	1473	1473	1473	1473	1473	1473	1473	1473
		6.5	1265	1265	1265	1265	1265	1265	1265	1265	1265	1265	1265	1265	1265	1265	1265
	>45-60	1	1800	1800	1800	1800	1740	1800	1800	1800	1800	1800	1800	1800	1800	1800	1800
		2	1800	1800	1800	1800	1740	1800	1800	1800	1800	1800	1800	1800	1800	1800	1800
		3	1800	1800	1800	1800	1730	1800	1800	1800	1800	1800	1800	1800	1800	1800	1800
		4	1800	1800	1800	1800	1730	1800	1800	1800	1800	1790	1800	1800	1800	1800	1800
		5	1800	1800	1800	1800	1720	1800	1800	1800	1800	1790	1800	1800	1800	1800	1800
		6.5	1800	1800	1800	1800	1710	1800	1800	1800	1800	1780	1800	1800	1800	1800	1800

Duo-Pitch Roof

Table 1.F Leveling Foot Max. Spacing, Landscape Orientation, Direct Mount

Roof Zone	Roof Pitch	Terrain Category	All terrain categories less than 5km from shoreline					All terrain categories more than 5km from shoreline; less than 5km inside town terrain (only III+IV)					Terrain Categories III+IV more than 10km from Shoreline; more than 5km inside town terrain				
			Wind Speed	22	24	26	28	30	22	24	26	28	30	22	24	26	28
		Snow Zone															
J	5-15	1	1492	1243	1052	902	782	1648	1371	1159	994	861	1800	1705	1439	1232	1066
		2	1492	1243	1052	902	782	1648	1371	1159	994	861	1800	1705	1439	1232	1066
		3	1492	1243	1052	902	782	1648	1371	1159	994	861	1800	1705	1439	1232	1066
		4	1492	1243	1052	902	782	1648	1371	1159	994	861	1800	1705	1439	1232	1066
		5	1492	1243	1052	902	782	1648	1371	1159	994	861	1800	1705	1439	1232	1066
		6.5	1492	1243	1052	902	782	1648	1371	1159	994	861	1800	1705	1439	1232	1066
	>15-30	1	1525	1270	1074	921	799	1684	1401	1184	1015	880	1800	1743	1471	1258	1090
		2	1525	1270	1074	921	799	1684	1401	1184	1015	880	1800	1743	1471	1258	1090
		3	1525	1270	1074	921	799	1684	1401	1184	1015	880	1800	1743	1471	1258	1090
		4	1525	1270	1074	921	799	1641	1401	1184	1015	880	1641	1641	1471	1258	1090
		5	1460	1270	1074	921	799	1460	1401	1184	1015	880	1460	1460	1460	1258	1090
		6.5	1253	1253	1074	921	799	1253	1253	1184	1015	880	1253	1253	1253	1253	1090
	>30-45	1	1800	1800	1548	1326	1148	1800	1800	1709	1462	1266	1800	1800	1800	1800	1571
		2	1800	1800	1548	1326	1148	1800	1800	1709	1462	1266	1800	1800	1800	1800	1571
		3	1800	1800	1548	1326	1148	1800	1800	1709	1462	1266	1800	1800	1800	1800	1571
		4	1654	1654	1548	1326	1148	1654	1654	1654	1462	1266	1654	1654	1654	1654	1571
		5	1473	1473	1473	1326	1148	1473	1473	1473	1462	1266	1473	1473	1473	1473	1473
		6.5	1265	1265	1265	1265	1148	1265	1265	1265	1265	1265	1265	1265	1265	1265	1265
	>45-60	1	1800	1800	1699	1458	1265	1800	1800	1800	1605	1393	1800	1800	1800	1800	1722
		2	1800	1800	1699	1458	1265	1800	1800	1800	1605	1393	1800	1800	1800	1800	1722
		3	1800	1800	1699	1458	1265	1800	1800	1800	1605	1393	1800	1800	1800	1800	1722
		4	1800	1800	1699	1458	1265	1800	1800	1800	1605	1393	1800	1800	1800	1800	1722
		5	1800	1800	1699	1458	1265	1800	1800	1800	1605	1393	1800	1800	1800	1800	1722
		6.5	1800	1800	1699	1458	1265	1800	1800	1800	1605	1393	1800	1800	1800	1800	1722

Flat or Mono-pitch Roof

Table 1.A Leveling Foot Max. Spacing, Portrait Orientation, Direct Mount

Roof Zone	Roof Pitch	Terrain Category	All terrain categories less than 5km from shoreline					All terrain categories more than 5km from shoreline; less than 5km inside town terrain (only III+IV)					Terrain Categories III+IV more than 10km from Shoreline; more than 5km inside town terrain				
			Wind Speed	22	24	26	28	30	22	24	26	28	30	22	24	26	28
		Snow Zone															
H	0-15	1	1314	1090	919	786	681	1455	1205	1015	868	750	1800	1507	1266	1080	933
		2	1314	1090	919	786	681	1455	1205	1015	868	750	1800	1507	1266	1080	933
		3	1314	1090	919	786	681	1455	1205	1015	868	750	1800	1507	1266	1080	933
		4	1314	1090	919	786	681	1455	1205	1015	868	750	1800	1507	1266	1080	933
		5	1314	1090	919	786	681	1455	1205	1015	868	750	1800	1507	1266	1080	933
		6.5	1314	1090	919	786	681	1455	1205	1015	868	750	1800	1507	1266	1080	933
	>15-30	1	1164	968	818	701	607	1287	1069	903	773	669	1608	1332	1122	959	830
		2	1164	968	818	701	607	1287	1069	903	773	669	1608	1332	1122	959	830
		3	1164	968	818	701	607	1287	1069	903	773	669	1546	1332	1122	959	830
		4	1164	968	818	701	607	1287	1069	903	773	669	1367	1332	1122	959	830
		5	1164	968	818	701	607	1226	1069	903	773	669	1226	1226	1122	959	830
		6.5	1061	968	818	701	607	1061	1061	903	773	669	1061	1061	1061	959	830
	>30-45	1	1150	958	811	696	604	1270	1057	894	767	665	1582	1314	1109	950	823
		2	1150	958	811	696	604	1270	1057	894	767	665	1582	1314	1109	950	823
		3	1150	958	811	696	604	1270	1057	894	767	665	1553	1314	1109	950	823
		4	1150	958	811	696	604	1270	1057	894	767	665	1375	1314	1109	950	823
		5	1150	958	811	696	604	1234	1057	894	767	665	1234	1234	1109	950	823
		6.5	1069	958	811	696	604	1069	1057	894	767	665	1069	1069	1069	950	823
	>45-60	1	1200	999	846	725	629	1325	1102	932	799	693	1651	1371	1157	990	858
		2	1200	999	846	725	629	1325	1102	932	799	693	1651	1371	1157	990	858
		3	1200	999	846	725	629	1325	1102	932	799	693	1651	1371	1157	990	858
		4	1200	999	846	725	629	1325	1102	932	799	693	1651	1371	1157	990	858
		5	1200	999	846	725	629	1325	1102	932	799	693	1651	1371	1157	990	858
		6.5	1200	999	846	725	629	1325	1102	932	799	693	1570	1371	1157	990	858
F _{up}	0-15	1	431	N/A	N/A	N/A	N/A	475	N/A	N/A	N/A	N/A	588	491	416	N/A	N/A
		2	431	N/A	N/A	N/A	N/A	475	N/A	N/A	N/A	N/A	588	491	416	N/A	N/A
		3	431	N/A	N/A	N/A	N/A	475	N/A	N/A	N/A	N/A	588	491	416	N/A	N/A
		4	431	N/A	N/A	N/A	N/A	475	N/A	N/A	N/A	N/A	588	491	416	N/A	N/A
		5	431	N/A	N/A	N/A	N/A	475	N/A	N/A	N/A	N/A	588	491	416	N/A	N/A
		6.5	431	N/A	N/A	N/A	N/A	475	N/A	N/A	N/A	N/A	588	491	416	N/A	N/A
	>15-30	1	442	N/A	N/A	N/A	N/A	486	400	N/A	N/A	N/A	602	503	426	N/A	N/A
		2	442	N/A	N/A	N/A	N/A	486	400	N/A	N/A	N/A	602	503	426	N/A	N/A
		3	442	N/A	N/A	N/A	N/A	486	400	N/A	N/A	N/A	602	503	426	N/A	N/A
		4	442	N/A	N/A	N/A	N/A	486	400	N/A	N/A	N/A	602	503	426	N/A	N/A
		5	442	N/A	N/A	N/A	N/A	486	400	N/A	N/A	N/A	602	503	426	N/A	N/A
		6.5	442	N/A	N/A	N/A	N/A	486	400	N/A	N/A	N/A	602	503	426	N/A	N/A
	>30-45	1	672	561	476	409	N/A	740	618	524	450	N/A	919	766	648	556	482
		2	672	561	476	409	N/A	740	618	524	450	N/A	919	766	648	556	482
		3	672	561	476	409	N/A	740	618	524	450	N/A	919	766	648	556	482
		4	672	561	476	409	N/A	740	618	524	450	N/A	919	766	648	556	482
		5	672	561	476	409	N/A	740	618	524	450	N/A	919	766	648	556	482
		6.5	672	561	476	409	N/A	740	618	524	450	N/A	919	766	648	556	482
	>45-60	1	763	638	541	465	N/A	841	702	596	512	444	1043	870	737	632	549
		2	763	638	541	465	N/A	841	702	596	512	444	1043	870	737	632	549
		3	763	638	541	465	N/A	841	702	596	512	444	1043	870	737	632	549
		4	763	638	541	465	N/A	841	702	596	512	444	1043	870	737	632	549
		5	763	638	541	465	N/A	841	702	596	512	444	1043	870	737	632	549
		6.5	763	638	541	465	N/A	841	702	596	512	444	1043	870	737	632	549

Flat or Mono-pitch Roof

Table 1.C Leveling Foot Max. Spacing, Portrait Orientation, Direct Mount

Roof Zone	Roof Pitch	Terrain Category	All terrain categories less than 5km from shoreline					All terrain categories more than 5km from shoreline; less than 5km inside town terrain (only III+IV)					Terrain Categories III+IV more than 10km from Shoreline; more than 5km inside town terrain				
		Wind Speed	22	24	26	28	30	22	24	26	28	30	22	24	26	28	30
		Snow Zone															
G@90	0-15	1	822	685	580	497	431	907	755	639	548	475	1131	939	793	679	588
		2	822	685	580	497	431	907	755	639	548	475	1131	939	793	679	588
		3	822	685	580	497	431	907	755	639	548	475	1131	939	793	679	588
		4	822	685	580	497	431	907	755	639	548	475	1131	939	793	679	588
		5	822	685	580	497	431	907	755	639	548	475	1131	939	793	679	588
		6.5	822	685	580	497	431	907	755	639	548	475	1131	939	793	679	588
	>15-30	1	960	799	676	580	503	1059	882	746	639	554	1320	1096	925	792	686
		2	960	799	676	580	503	1059	882	746	639	554	1320	1096	925	792	686
		3	960	799	676	580	503	1059	882	746	639	554	1320	1096	925	792	686
		4	960	799	676	580	503	1059	882	746	639	554	1320	1096	925	792	686
		5	960	799	676	580	503	1059	882	746	639	554	1226	1096	925	792	686
		6.5	960	799	676	580	503	1059	882	746	639	554	1061	1061	925	792	686
	>30-45	1	950	793	672	577	501	1048	874	740	635	551	1302	1084	917	786	681
		2	950	793	672	577	501	1048	874	740	635	551	1302	1084	917	786	681
		3	950	793	672	577	501	1048	874	740	635	551	1302	1084	917	786	681
		4	950	793	672	577	501	1048	874	740	635	551	1302	1084	917	786	681
		5	950	793	672	577	501	1048	874	740	635	551	1234	1084	917	786	681
		6.5	950	793	672	577	501	1048	874	740	635	551	1069	1069	917	786	681
	>45-60	1	938	784	666	572	497	1033	863	733	630	547	1280	1068	905	777	675
		2	938	784	666	572	497	1033	863	733	630	547	1280	1068	905	777	675
		3	938	784	666	572	497	1033	863	733	630	547	1280	1068	905	777	675
		4	938	784	666	572	497	1033	863	733	630	547	1280	1068	905	777	675
		5	938	784	666	572	497	1033	863	733	630	547	1280	1068	905	777	675
		6.5	938	784	666	572	497	1033	863	733	630	547	1280	1068	905	777	675
G@180	0-15	1	822	685	580	497	431	907	755	639	548	475	1131	939	793	679	588
		2	822	685	580	497	431	907	755	639	548	475	1131	939	793	679	588
		3	822	685	580	497	431	907	755	639	548	475	1131	939	793	679	588
		4	822	685	580	497	431	907	755	639	548	475	1131	939	793	679	588
		5	822	685	580	497	431	907	755	639	548	475	1131	939	793	679	588
		6.5	822	685	580	497	431	907	755	639	548	475	1131	939	793	679	588
	>15-30	1	1164	968	818	701	607	1287	1069	903	773	669	1608	1332	1122	959	830
		2	1164	968	818	701	607	1287	1069	903	773	669	1608	1332	1122	959	830
		3	1164	968	818	701	607	1287	1069	903	773	669	1546	1332	1122	959	830
		4	1164	968	818	701	607	1287	1069	903	773	669	1367	1332	1122	959	830
		5	1164	968	818	701	607	1226	1069	903	773	669	1226	1226	1122	959	830
		6.5	1061	968	818	701	607	1061	1061	903	773	669	1061	1061	1061	959	830
	>30-45	1	1180	981	829	710	616	1305	1083	915	783	678	1631	1350	1138	972	841
		2	1180	981	829	710	616	1305	1083	915	783	678	1631	1350	1138	972	841
		3	1180	981	829	710	616	1305	1083	915	783	678	1553	1350	1138	972	841
		4	1180	981	829	710	616	1305	1083	915	783	678	1375	1350	1138	972	841
		5	1180	981	829	710	616	1234	1083	915	783	678	1234	1234	1138	972	841
		6.5	1069	981	829	710	616	1069	1069	915	783	678	1069	1069	1069	972	841
	>45-60	1	1469	1221	1032	884	766	1624	1348	1138	975	844	1800	1681	1416	1210	1047
		2	1469	1221	1032	884	766	1624	1348	1138	975	844	1800	1681	1416	1210	1047
		3	1469	1221	1032	884	766	1624	1348	1138	975	844	1800	1681	1416	1210	1047
		4	1469	1221	1032	884	766	1624	1348	1138	975	844	1800	1681	1416	1210	1047
		5	1469	1221	1032	884	766	1624	1348	1138	975	844	1759	1681	1416	1210	1047
		6.5	1469	1221	1032	884	766	1570	1348	1138	975	844	1570	1570	1416	1210	1047

Duo-Pitch Roof

Table 1.D Leveling Foot Max. Spacing, Portrait Orientation, Direct Mount

Roof Zone	Roof Pitch	Terrain Category	All terrain categories less than 5km from shoreline					All terrain categories more than 5km from shoreline; less than 5km inside town terrain (only III+IV)					Terrain Categories III+IV more than 10km from Shoreline; more than 5km inside town terrain				
			22	24	26	28	30	22	24	26	28	30	22	24	26	28	30
		Wind Speed															
		Snow Zone															
H	5-15	1	1800	1694	1420	1210	1044	1800	1800	1574	1338	1153	1800	1800	1800	1677	1441
		2	1800	1694	1420	1210	1044	1800	1800	1574	1338	1153	1800	1800	1800	1677	1441
		3	1800	1694	1420	1210	1044	1800	1800	1574	1338	1153	1800	1800	1800	1677	1441
		4	1800	1694	1420	1210	1044	1800	1800	1574	1338	1153	1800	1800	1800	1677	1441
		5	1800	1694	1420	1210	1044	1800	1800	1574	1338	1153	1800	1800	1800	1677	1441
		6.5	1800	1694	1420	1210	1044	1800	1800	1574	1338	1153	1800	1800	1800	1677	1441
	>15-30	1	1551	1551	1407	1200	1036	1551	1551	1551	1327	1145	1551	1551	1551	1551	1428
		2	1296	1296	1296	1200	1036	1296	1296	1296	1296	1145	1296	1296	1296	1296	1296
		3	1113	1113	1113	1113	1036	1113	1113	1113	1113	1113	1113	1113	1113	1113	1113
		4	975	975	975	975	975	975	975	975	975	975	975	975	975	975	975
		5	868	868	868	868	868	868	868	868	868	868	868	868	868	868	868
		6.5	745	745	745	745	745	745	745	745	745	745	745	745	745	745	745
	>30-45	1	1558	1558	1387	1185	1025	1558	1558	1533	1309	1131	1558	1558	1558	1558	1407
		2	1304	1304	1304	1185	1025	1304	1304	1304	1304	1131	1304	1304	1304	1304	1304
		3	1121	1121	1121	1121	1025	1121	1121	1121	1121	1121	1121	1121	1121	1121	1121
		4	983	983	983	983	983	983	983	983	983	983	983	983	983	983	983
		5	876	876	876	876	876	876	876	876	876	876	876	876	876	876	876
		6.5	752	752	752	752	752	752	752	752	752	752	752	752	752	752	752
	>45-60	1	1645	1370	1160	995	863	1800	1511	1278	1096	950	1800	1800	1586	1358	1176
		2	1645	1370	1160	995	863	1800	1511	1278	1096	950	1800	1800	1586	1358	1176
		3	1631	1370	1160	995	863	1631	1511	1278	1096	950	1631	1631	1586	1358	1176
		4	1468	1370	1160	995	863	1468	1468	1278	1096	950	1468	1468	1468	1358	1176
		5	1334	1334	1160	995	863	1334	1334	1278	1096	950	1334	1334	1334	1334	1176
		6.5	1173	1173	1160	995	863	1173	1173	1173	1096	950	1173	1173	1173	1173	1173
F	5-15	1	566	473	N/A	N/A	N/A	624	521	441	N/A	N/A	774	645	546	469	400
		2	566	473	N/A	N/A	N/A	624	521	441	N/A	N/A	774	645	546	469	400
		3	566	473	N/A	N/A	N/A	624	521	441	N/A	N/A	774	645	546	469	400
		4	566	473	N/A	N/A	N/A	624	521	441	N/A	N/A	774	645	546	469	400
		5	566	473	N/A	N/A	N/A	624	521	441	N/A	N/A	774	645	546	469	400
		6.5	566	473	N/A	N/A	N/A	624	521	441	N/A	N/A	774	645	546	469	400
	>15-30	1	726	605	513	440	N/A	801	667	565	485	420	995	828	700	600	520
		2	726	605	513	440	N/A	801	667	565	485	420	995	828	700	600	520
		3	726	605	513	440	N/A	801	667	565	485	420	995	828	700	600	520
		4	726	605	513	440	N/A	801	667	565	485	420	975	828	700	600	520
		5	726	605	513	440	N/A	801	667	565	485	420	868	828	700	600	520
		6.5	726	605	513	440	N/A	745	667	565	485	420	745	745	700	600	520
	>30-45	1	950	793	672	577	501	1048	874	740	635	551	1302	1084	917	786	681
		2	950	793	672	577	501	1048	874	740	635	551	1302	1084	917	786	681
		3	950	793	672	577	501	1048	874	740	635	551	1121	1084	917	786	681
		4	950	793	672	577	501	983	874	740	635	551	983	983	917	786	681
		5	876	793	672	577	501	876	874	740	635	551	876	876	876	786	681
		6.5	752	752	672	577	501	752	752	740	635	551	752	752	752	752	681
	>45-60	1	938	784	666	572	497	1033	863	733	630	547	1280	1068	905	777	675
		2	938	784	666	572	497	1033	863	733	630	547	1280	1068	905	777	675
		3	938	784	666	572	497	1033	863	733	630	547	1280	1068	905	777	675
		4	938	784	666	572	497	1033	863	733	630	547	1280	1068	905	777	675
		5	938	784	666	572	497	1033	863	733	630	547	1280	1068	905	777	675
		6.5	938	784	666	572	497	1033	863	733	630	547	1173	1068	905	777	675

Duo-Pitch Roof

Table 1.F Leveling Foot Max. Spacing, Portrait Orientation, Direct Mount

Roof Zone	Roof Pitch	Terrain Category	All terrain categories less than 5km from shoreline					All terrain categories more than 5km from shoreline; less than 5km inside town terrain (only III+IV)					Terrain Categories III+IV more than 10km from Shoreline; more than 5km inside town terrain				
		Wind Speed	22	24	26	28	30	22	24	26	28	30	22	24	26	28	30
		Snow Zone															
J	5-15	1	887	739	625	536	465	980	815	689	591	512	1221	1014	856	732	634
		2	887	739	625	536	465	980	815	689	591	512	1221	1014	856	732	634
		3	887	739	625	536	465	980	815	689	591	512	1221	1014	856	732	634
		4	887	739	625	536	465	980	815	689	591	512	1221	1014	856	732	634
		5	887	739	625	536	465	980	815	689	591	512	1221	1014	856	732	634
		6.5	887	739	625	536	465	980	815	689	591	512	1221	1014	856	732	634
	>15-30	1	907	755	639	548	475	1001	833	704	603	523	1248	1036	874	748	648
		2	907	755	639	548	475	1001	833	704	603	523	1248	1036	874	748	648
		3	907	755	639	548	475	1001	833	704	603	523	1113	1036	874	748	648
		4	907	755	639	548	475	975	833	704	603	523	975	975	874	748	648
		5	868	755	639	548	475	868	833	704	603	523	868	868	868	748	648
		6.5	745	745	639	548	475	745	745	704	603	523	745	745	745	745	648
	>30-45	1	1313	1090	921	788	683	1452	1204	1016	869	752	1558	1503	1265	1080	934
		2	1304	1090	921	788	683	1304	1204	1016	869	752	1304	1304	1265	1080	934
		3	1121	1090	921	788	683	1121	1121	1016	869	752	1121	1121	1121	1080	934
		4	983	983	921	788	683	983	983	983	869	752	983	983	983	983	934
		5	876	876	876	788	683	876	876	876	869	752	876	876	876	876	876
		6.5	752	752	752	752	683	752	752	752	752	752	752	752	752	752	752
	>45-60	1	1429	1192	1010	867	752	1577	1314	1112	954	828	1800	1631	1379	1181	1024
		2	1429	1192	1010	867	752	1577	1314	1112	954	828	1800	1631	1379	1181	1024
		3	1429	1192	1010	867	752	1577	1314	1112	954	828	1631	1631	1379	1181	1024
		4	1429	1192	1010	867	752	1468	1314	1112	954	828	1468	1468	1379	1181	1024
		5	1334	1192	1010	867	752	1334	1314	1112	954	828	1334	1334	1334	1181	1024
		6.5	1173	1173	1010	867	752	1173	1173	1112	954	828	1173	1173	1173	1173	1024

Flat or Mono-pitch Roof

Table 3.A Leveling Foot Max. Spacing, Landscape Orientation, Schletter Fix2000

Roof Zone	Roof Pitch	Terrain Category	All terrain categories less than 5km from shoreline					All terrain categories more than 5km from shoreline; less than 5km inside town terrain (only III+IV)					Terrain Categories III+IV more than 10km from Shoreline; more than 5km inside town terrain				
			Wind Speed	22	24	26	28	30	22	24	26	28	30	22	24	26	28
		Snow Zone															
H	0-15	1	1467	1217	1026	878	760	1624	1345	1133	969	838	1800	1682	1414	1206	1041
		2	1467	1217	1026	878	760	1624	1345	1133	969	838	1800	1682	1414	1206	1041
		3	1467	1217	1026	878	760	1624	1345	1133	969	838	1800	1682	1414	1206	1041
		4	1467	1217	1026	878	760	1624	1345	1133	969	838	1800	1682	1414	1206	1041
		5	1467	1217	1026	878	760	1624	1345	1133	969	838	1800	1682	1414	1206	1041
		6.5	1467	1217	1026	878	760	1624	1345	1133	969	838	1800	1682	1414	1206	1041
	>15-30	1	1300	1081	913	782	678	1436	1193	1007	863	747	1795	1487	1253	1071	926
		2	1300	1081	913	782	678	1436	1193	1007	863	747	1795	1487	1253	1071	926
		3	1300	1081	913	782	678	1436	1193	1007	863	747	1795	1487	1253	1071	926
		4	1300	1081	913	782	678	1436	1193	1007	863	747	1795	1487	1253	1071	926
		5	1300	1081	913	782	678	1436	1193	1007	863	747	1795	1487	1253	1071	926
		6.5	1300	1081	913	782	678	1436	1193	1007	863	747	1784	1487	1253	1071	926
	>30-45	1	1284	1070	906	777	674	1417	1180	998	856	742	1766	1467	1238	1060	918
		2	1284	1070	906	777	674	1417	1180	998	856	742	1766	1467	1238	1060	918
		3	1284	1070	906	777	674	1417	1180	998	856	742	1766	1467	1238	1060	918
		4	1284	1070	906	777	674	1417	1180	998	856	742	1766	1467	1238	1060	918
		5	1284	1070	906	777	674	1417	1180	998	856	742	1766	1467	1238	1060	918
		6.5	1284	1070	906	777	674	1417	1180	998	856	742	1766	1467	1238	1060	918
	>45-60	1	1339	1116	944	810	702	1479	1231	1041	892	773	1800	1530	1292	1106	957
		2	1339	1116	944	810	702	1479	1231	1041	892	773	1800	1530	1292	1106	957
		3	1339	1116	944	810	702	1479	1231	1041	892	773	1800	1530	1292	1106	957
		4	1339	1116	944	810	702	1479	1231	1041	892	773	1800	1530	1292	1106	957
		5	1339	1116	944	810	702	1479	1231	1041	892	773	1800	1530	1292	1106	957
		6.5	1339	1116	944	810	702	1479	1231	1041	892	773	1800	1530	1292	1106	957
F _{up}	0-15	1	481	403	N/A	N/A	N/A	530	443	N/A	N/A	N/A	656	548	465	N/A	N/A
		2	481	403	N/A	N/A	N/A	530	443	N/A	N/A	N/A	656	548	465	N/A	N/A
		3	481	403	N/A	N/A	N/A	530	443	N/A	N/A	N/A	656	548	465	N/A	N/A
		4	481	403	N/A	N/A	N/A	530	443	N/A	N/A	N/A	656	548	465	N/A	N/A
		5	481	403	N/A	N/A	N/A	530	443	N/A	N/A	N/A	656	548	465	N/A	N/A
		6.5	481	403	N/A	N/A	N/A	530	443	N/A	N/A	N/A	656	548	465	N/A	N/A
	>15-30	1	493	412	N/A	N/A	N/A	543	454	N/A	N/A	N/A	672	561	476	409	N/A
		2	493	412	N/A	N/A	N/A	543	454	N/A	N/A	N/A	672	561	476	409	N/A
		3	493	412	N/A	N/A	N/A	543	454	N/A	N/A	N/A	672	561	476	409	N/A
		4	493	412	N/A	N/A	N/A	543	454	N/A	N/A	N/A	672	561	476	409	N/A
		5	493	412	N/A	N/A	N/A	543	454	N/A	N/A	N/A	672	561	476	409	N/A
		6.5	493	412	N/A	N/A	N/A	543	454	N/A	N/A	N/A	672	561	476	409	N/A
	>30-45	1	750	626	531	456	N/A	827	690	585	502	436	1026	855	724	621	538
		2	750	626	531	456	N/A	827	690	585	502	436	1026	855	724	621	538
		3	750	626	531	456	N/A	827	690	585	502	436	1026	855	724	621	538
		4	750	626	531	456	N/A	827	690	585	502	436	1026	855	724	621	538
		5	750	626	531	456	N/A	827	690	585	502	436	1026	855	724	621	538
		6.5	750	626	531	456	N/A	827	690	585	502	436	1026	855	724	621	538
	>45-60	1	852	712	604	519	451	939	784	665	571	496	1164	971	822	706	612
		2	852	712	604	519	451	939	784	665	571	496	1164	971	822	706	612
		3	852	712	604	519	451	939	784	665	571	496	1164	971	822	706	612
		4	852	712	604	519	451	939	784	665	571	496	1164	971	822	706	612
		5	852	712	604	519	451	939	784	665	571	496	1164	971	822	706	612
		6.5	852	712	604	519	451	939	784	665	571	496	1164	971	822	706	612

Flat or Mono-pitch Roof

Table 3.C Leveling Foot Max. Spacing, Landscape Orientation, Schletter Fix2000

Roof Zone	Roof Pitch	Terrain Category	All terrain categories less than 5km from shoreline					All terrain categories more than 5km from shoreline; less than 5km inside town terrain (only III+IV)					Terrain Categories III+IV more than 10km from Shoreline; more than 5km inside town terrain				
		Wind Speed	22	24	26	28	30	22	24	26	28	30	22	24	26	28	30
		Snow Zone															
G@90	0-15	1	918	764	647	555	481	1013	843	713	611	530	1262	1048	885	758	656
		2	918	764	647	555	481	1013	843	713	611	530	1262	1048	885	758	656
		3	918	764	647	555	481	1013	843	713	611	530	1262	1048	885	758	656
		4	918	764	647	555	481	1013	843	713	611	530	1262	1048	885	758	656
		5	918	764	647	555	481	1013	843	713	611	530	1262	1048	885	758	656
		6.5	918	764	647	555	481	1013	843	713	611	530	1262	1048	885	758	656
	>15-30	1	1071	892	755	648	562	1183	984	832	713	619	1474	1224	1033	884	766
		2	1071	892	755	648	562	1183	984	832	713	619	1474	1224	1033	884	766
		3	1071	892	755	648	562	1183	984	832	713	619	1474	1224	1033	884	766
		4	1071	892	755	648	562	1183	984	832	713	619	1474	1224	1033	884	766
		5	1071	892	755	648	562	1183	984	832	713	619	1474	1224	1033	884	766
		6.5	1071	892	755	648	562	1183	984	832	713	619	1474	1224	1033	884	766
	>30-45	1	1061	885	750	644	559	1170	975	826	709	615	1454	1210	1023	877	760
		2	1061	885	750	644	559	1170	975	826	709	615	1454	1210	1023	877	760
		3	1061	885	750	644	559	1170	975	826	709	615	1454	1210	1023	877	760
		4	1061	885	750	644	559	1170	975	826	709	615	1454	1210	1023	877	760
		5	1061	885	750	644	559	1170	975	826	709	615	1454	1210	1023	877	760
		6.5	1061	885	750	644	559	1170	975	826	709	615	1454	1210	1023	877	760
	>45-60	1	1047	876	743	639	555	1153	964	818	703	610	1428	1192	1011	868	753
		2	1047	876	743	639	555	1153	964	818	703	610	1428	1192	1011	868	753
		3	1047	876	743	639	555	1153	964	818	703	610	1428	1192	1011	868	753
		4	1047	876	743	639	555	1153	964	818	703	610	1428	1192	1011	868	753
		5	1047	876	743	639	555	1153	964	818	703	610	1428	1192	1011	868	753
		6.5	1047	876	743	639	555	1153	964	818	703	610	1428	1192	1011	868	753
G@180	0-15	1	918	764	647	555	481	1013	843	713	611	530	1262	1048	885	758	656
		2	918	764	647	555	481	1013	843	713	611	530	1262	1048	885	758	656
		3	918	764	647	555	481	1013	843	713	611	530	1262	1048	885	758	656
		4	918	764	647	555	481	1013	843	713	611	530	1262	1048	885	758	656
		5	918	764	647	555	481	1013	843	713	611	530	1262	1048	885	758	656
		6.5	918	764	647	555	481	1013	843	713	611	530	1262	1048	885	758	656
	>15-30	1	1300	1081	913	782	678	1436	1193	1007	863	747	1795	1487	1253	1071	926
		2	1300	1081	913	782	678	1436	1193	1007	863	747	1795	1487	1253	1071	926
		3	1300	1081	913	782	678	1436	1193	1007	863	747	1795	1487	1253	1071	926
		4	1300	1081	913	782	678	1436	1193	1007	863	747	1795	1487	1253	1071	926
		5	1300	1081	913	782	678	1436	1193	1007	863	747	1795	1487	1253	1071	926
		6.5	1300	1081	913	782	678	1436	1193	1007	863	747	1784	1487	1253	1071	926
	>30-45	1	1318	1095	926	793	687	1456	1209	1021	874	757	1800	1507	1270	1085	939
		2	1318	1095	926	793	687	1456	1209	1021	874	757	1800	1507	1270	1085	939
		3	1318	1095	926	793	687	1456	1209	1021	874	757	1800	1507	1270	1085	939
		4	1318	1095	926	793	687	1456	1209	1021	874	757	1800	1507	1270	1085	939
		5	1318	1095	926	793	687	1456	1209	1021	874	757	1800	1507	1270	1085	939
		6.5	1318	1095	926	793	687	1456	1209	1021	874	757	1798	1507	1270	1085	939
	>45-60	1	1640	1363	1152	987	855	1800	1505	1271	1088	942	1800	1800	1580	1351	1168
		2	1640	1363	1152	987	855	1800	1505	1271	1088	942	1800	1800	1580	1351	1168
		3	1640	1363	1152	987	855	1800	1505	1271	1088	942	1800	1800	1580	1351	1168
		4	1640	1363	1152	987	855	1800	1505	1271	1088	942	1800	1800	1580	1351	1168
		5	1640	1363	1152	987	855	1800	1505	1271	1088	942	1800	1800	1580	1351	1168
		6.5	1640	1363	1152	987	855	1800	1505	1271	1088	942	1800	1800	1580	1351	1168

Duo-Pitch Roof

Table 3.D Leveling Foot Max. Spacing, Landscape Orientation, Schletter Fix2000

Roof Zone	Roof Pitch	Terrain Category	All terrain categories less than 5km from shoreline					All terrain categories more than 5km from shoreline; less than 5km inside town terrain (only III+IV)					Terrain Categories III+IV more than 10km from Shoreline; more than 5km inside town terrain				
		Wind Speed	22	24	26	28	30	22	24	26	28	30	22	24	26	28	30
		Snow Zone															
H	5-15	1	1800	1800	1586	1350	1165	1800	1800	1757	1494	1287	1800	1800	1800	1800	1609
		2	1800	1800	1586	1350	1165	1800	1800	1757	1494	1287	1800	1800	1800	1800	1609
		3	1800	1800	1586	1350	1165	1800	1800	1757	1494	1287	1800	1800	1800	1800	1609
		4	1800	1800	1586	1350	1165	1800	1800	1757	1494	1287	1800	1800	1800	1800	1609
		5	1800	1800	1586	1350	1165	1800	1800	1757	1494	1287	1800	1800	1800	1800	1609
		6.5	1800	1800	1586	1350	1165	1800	1800	1757	1494	1287	1800	1800	1800	1800	1609
	>15-30	1	1800	1800	1571	1340	1157	1800	1800	1739	1481	1278	1800	1800	1800	1800	1594
		2	1800	1800	1571	1340	1157	1800	1800	1739	1481	1278	1800	1800	1800	1800	1594
		3	1800	1800	1571	1340	1157	1800	1800	1739	1481	1278	1800	1800	1800	1800	1594
		4	1641	1641	1571	1340	1157	1641	1641	1641	1481	1278	1641	1641	1641	1641	1594
		5	1460	1460	1460	1340	1157	1460	1460	1460	1460	1278	1460	1460	1460	1460	1460
		6.5	1253	1253	1253	1253	1157	1253	1253	1253	1253	1253	1253	1253	1253	1253	1253
	>30-45	1	1800	1800	1548	1323	1145	1800	1800	1711	1461	1263	1800	1800	1800	1800	1571
		2	1800	1800	1548	1323	1145	1800	1800	1711	1461	1263	1800	1800	1800	1800	1571
		3	1800	1800	1548	1323	1145	1800	1800	1711	1461	1263	1800	1800	1800	1800	1571
		4	1654	1654	1548	1323	1145	1654	1654	1654	1461	1263	1654	1654	1654	1654	1571
		5	1473	1473	1473	1323	1145	1473	1473	1473	1461	1263	1473	1473	1473	1473	1473
		6.5	1265	1265	1265	1265	1145	1265	1265	1265	1265	1263	1265	1265	1265	1265	1265
	>45-60	1	1800	1529	1294	1110	963	1800	1687	1427	1223	1060	1800	1800	1770	1516	1313
		2	1800	1529	1294	1110	963	1800	1687	1427	1223	1060	1800	1800	1770	1516	1313
		3	1800	1529	1294	1110	963	1800	1687	1427	1223	1060	1800	1800	1770	1516	1313
		4	1800	1529	1294	1110	963	1800	1687	1427	1223	1060	1800	1800	1770	1516	1313
		5	1800	1529	1294	1110	963	1800	1687	1427	1223	1060	1800	1800	1770	1516	1313
		6.5	1800	1529	1294	1110	963	1800	1687	1427	1223	1060	1800	1800	1770	1516	1313
F	5-15	1	632	528	448	N/A	N/A	696	581	493	423	N/A	864	720	610	523	454
		2	632	528	448	N/A	N/A	696	581	493	423	N/A	864	720	610	523	454
		3	632	528	448	N/A	N/A	696	581	493	423	N/A	864	720	610	523	454
		4	632	528	448	N/A	N/A	696	581	493	423	N/A	864	720	610	523	454
		5	632	528	448	N/A	N/A	696	581	493	423	N/A	864	720	610	523	454
		6.5	632	528	448	N/A	N/A	696	581	493	423	N/A	864	720	610	523	454
	>15-30	1	810	676	572	491	426	894	745	631	541	469	1111	924	781	670	580
		2	810	676	572	491	426	894	745	631	541	469	1111	924	781	670	580
		3	810	676	572	491	426	894	745	631	541	469	1111	924	781	670	580
		4	810	676	572	491	426	894	745	631	541	469	1111	924	781	670	580
		5	810	676	572	491	426	894	745	631	541	469	1111	924	781	670	580
		6.5	810	676	572	491	426	894	745	631	541	469	1111	924	781	670	580
	>30-45	1	1061	885	750	644	559	1170	975	826	709	615	1454	1210	1023	877	760
		2	1061	885	750	644	559	1170	975	826	709	615	1454	1210	1023	877	760
		3	1061	885	750	644	559	1170	975	826	709	615	1454	1210	1023	877	760
		4	1061	885	750	644	559	1170	975	826	709	615	1454	1210	1023	877	760
		5	1061	885	750	644	559	1170	975	826	709	615	1454	1210	1023	877	760
		6.5	1061	885	750	644	559	1170	975	826	709	615	1265	1210	1023	877	760
	>45-60	1	1047	876	743	639	555	1153	964	818	703	610	1428	1192	1011	868	753
		2	1047	876	743	639	555	1153	964	818	703	610	1428	1192	1011	868	753
		3	1047	876	743	639	555	1153	964	818	703	610	1428	1192	1011	868	753
		4	1047	876	743	639	555	1153	964	818	703	610	1428	1192	1011	868	753
		5	1047	876	743	639	555	1153	964	818	703	610	1428	1192	1011	868	753
		6.5	1047	876	743	639	555	1153	964	818	703	610	1428	1192	1011	868	753

Duo-Pitch Roof

Table 3.E Leveling Foot Max. Spacing, Landscape Orientation, Schletter Fix2000

Roof Zone	Roof Pitch	Terrain Category	All terrain categories less than 5km from shoreline					All terrain categories more than 5km from shoreline; less than 5km inside town terrain (only III+IV)					Terrain Categories III+IV more than 10km from Shoreline; more than 5km inside town terrain					
		Wind Speed	22	24	26	28	30	22	24	26	28	30	22	24	26	28	30	
		Snow Zone																
G _{verge}	5-15	1	852	710	602	516	448	940	783	663	568	493	1169	972	822	704	610	
		2	852	710	602	516	448	940	783	663	568	493	1169	972	822	704	610	
		3	852	710	602	516	448	940	783	663	568	493	1169	972	822	704	610	
		4	852	710	602	516	448	940	783	663	568	493	1169	972	822	704	610	
		6.5	852	710	602	516	448	940	783	663	568	493	1169	972	822	704	610	
	>15-30	1	868	723	613	526	456	958	798	675	579	502	1192	991	837	717	621	
		2	868	723	613	526	456	958	798	675	579	502	1192	991	837	717	621	
		3	868	723	613	526	456	958	798	675	579	502	1192	991	837	717	621	
		4	868	723	613	526	456	958	798	675	579	502	1192	991	837	717	621	
		6.5	868	723	613	526	456	958	798	675	579	502	1192	991	837	717	621	
	>30-45	1	1061	885	750	644	559	1170	975	826	709	615	1454	1210	1023	877	760	
		2	1061	885	750	644	559	1170	975	826	709	615	1454	1210	1023	877	760	
		3	1061	885	750	644	559	1170	975	826	709	615	1454	1210	1023	877	760	
		4	1061	885	750	644	559	1170	975	826	709	615	1454	1210	1023	877	760	
		6.5	1061	885	750	644	559	1170	975	826	709	615	1265	1210	1023	877	760	
	>45-60	1	1047	876	743	639	555	1153	964	818	703	610	1428	1192	1011	868	753	
		2	1047	876	743	639	555	1153	964	818	703	610	1428	1192	1011	868	753	
		3	1047	876	743	639	555	1153	964	818	703	610	1428	1192	1011	868	753	
		4	1047	876	743	639	555	1153	964	818	703	610	1428	1192	1011	868	753	
		6.5	1047	876	743	639	555	1153	964	818	703	610	1428	1192	1011	868	753	
	G _{eave}	5-15	1	1080	898	760	651	564	1193	992	838	717	621	1490	1235	1041	890	770
			2	1080	898	760	651	564	1193	992	838	717	621	1490	1235	1041	890	770
			3	1080	898	760	651	564	1193	992	838	717	621	1490	1235	1041	890	770
			4	1080	898	760	651	564	1193	992	838	717	621	1490	1235	1041	890	770
6.5			1080	898	760	651	564	1193	992	838	717	621	1490	1235	1041	890	770	
>15-30		1	1714	1418	1194	1020	882	1800	1570	1320	1127	974	1800	1800	1651	1405	1212	
		2	1714	1418	1194	1020	882	1800	1570	1320	1127	974	1800	1800	1651	1405	1212	
		3	1714	1418	1194	1020	882	1800	1570	1320	1127	974	1800	1800	1651	1405	1212	
		4	1641	1418	1194	1020	882	1641	1570	1320	1127	974	1641	1641	1641	1405	1212	
		6.5	1253	1253	1194	1020	882	1253	1253	1253	1127	974	1253	1253	1253	1253	1212	
>30-45		1	1800	1800	1800	1755	1512	1800	1800	1800	1800	1673	1800	1800	1800	1800	1800	
		2	1800	1800	1800	1755	1512	1800	1800	1800	1800	1673	1800	1800	1800	1800	1800	
		3	1800	1800	1800	1740	1512	1800	1800	1800	1800	1673	1800	1800	1800	1800	1800	
		4	1654	1654	1654	1654	1512	1654	1654	1654	1654	1654	1654	1654	1654	1654	1654	
		6.5	1473	1473	1473	1473	1473	1473	1473	1473	1473	1473	1473	1473	1473	1473	1473	
>45-60		1	1800	1800	1800	1800	1740	1800	1800	1800	1800	1800	1800	1800	1800	1800	1800	
		2	1800	1800	1800	1800	1740	1800	1800	1800	1800	1800	1800	1800	1800	1800	1800	
		3	1800	1800	1800	1800	1730	1800	1800	1800	1800	1800	1800	1800	1800	1800	1800	
		4	1800	1800	1800	1800	1730	1800	1800	1800	1800	1790	1800	1800	1800	1800	1800	
		6.5	1800	1800	1800	1800	1710	1800	1800	1800	1800	1780	1800	1800	1800	1800	1800	

Duo-Pitch Roof

Table 3.F Leveling Foot Max. Spacing, Landscape Orientation, Schletter Fix2000

Roof Zone	Roof Pitch	Terrain Category	All terrain categories less than 5km from shoreline					All terrain categories more than 5km from shoreline; less than 5km inside town terrain (only III+IV)					Terrain Categories III+IV more than 10km from Shoreline; more than 5km inside town terrain				
		Wind Speed	22	24	26	28	30	22	24	26	28	30	22	24	26	28	30
		Snow Zone															
J	5-15	1	990	825	698	598	519	1094	910	769	659	571	1363	1131	955	817	708
		2	990	825	698	598	519	1094	910	769	659	571	1363	1131	955	817	708
		3	990	825	698	598	519	1094	910	769	659	571	1363	1131	955	817	708
		4	990	825	698	598	519	1094	910	769	659	571	1363	1131	955	817	708
		5	990	825	698	598	519	1094	910	769	659	571	1363	1131	955	817	708
		6.5	990	825	698	598	519	1094	910	769	659	571	1363	1131	955	817	708
	>15-30	1	1012	843	713	611	530	1118	930	786	673	584	1394	1156	976	835	723
		2	1012	843	713	611	530	1118	930	786	673	584	1394	1156	976	835	723
		3	1012	843	713	611	530	1118	930	786	673	584	1394	1156	976	835	723
		4	1012	843	713	611	530	1118	930	786	673	584	1394	1156	976	835	723
		5	1012	843	713	611	530	1118	930	786	673	584	1394	1156	976	835	723
		6.5	1012	843	713	611	530	1118	930	786	673	584	1253	1156	976	835	723
	>30-45	1	1465	1217	1028	880	762	1621	1344	1134	970	840	1800	1678	1412	1206	1042
		2	1465	1217	1028	880	762	1621	1344	1134	970	840	1800	1678	1412	1206	1042
		3	1465	1217	1028	880	762	1621	1344	1134	970	840	1800	1678	1412	1206	1042
		4	1465	1217	1028	880	762	1621	1344	1134	970	840	1654	1654	1412	1206	1042
		5	1465	1217	1028	880	762	1473	1344	1134	970	840	1473	1473	1412	1206	1042
		6.5	1265	1217	1028	880	762	1265	1265	1134	970	840	1265	1265	1265	1206	1042
	>45-60	1	1595	1331	1127	967	840	1760	1467	1242	1065	924	1800	1800	1539	1319	1143
		2	1595	1331	1127	967	840	1760	1467	1242	1065	924	1800	1800	1539	1319	1143
		3	1595	1331	1127	967	840	1760	1467	1242	1065	924	1800	1800	1539	1319	1143
		4	1595	1331	1127	967	840	1760	1467	1242	1065	924	1800	1800	1539	1319	1143
		5	1595	1331	1127	967	840	1760	1467	1242	1065	924	1800	1800	1539	1319	1143
		6.5	1595	1331	1127	967	840	1760	1467	1242	1065	924	1800	1800	1539	1319	1143

Flat or Mono-pitch Roof

Table 4.A Leveling Foot Max. Spacing, Portrait Orientation, Schletter Fix2000

Roof Zone	Roof Pitch	Terrain Category	All terrain categories less than 5km from shoreline					All terrain categories more than 5km from shoreline; less than 5km inside town terrain (only III+IV)					Terrain Categories III+IV more than 10km from Shoreline; more than 5km inside town terrain				
			22	24	26	28	30	22	24	26	28	30	22	24	26	28	30
		Wind Speed															
		Snow Zone															
H	0-15	1	872	723	610	522	451	966	800	674	576	498	1212	1000	840	717	619
		2	872	723	610	522	451	966	800	674	576	498	1212	1000	840	717	619
		3	872	723	610	522	451	966	800	674	576	498	1212	1000	840	717	619
		4	872	723	610	522	451	966	800	674	576	498	1212	1000	840	717	619
		5	872	723	610	522	451	966	800	674	576	498	1212	1000	840	717	619
		6.5	872	723	610	522	451	966	800	674	576	498	1212	1000	840	717	619
	>15-30	1	773	642	543	465	403	854	709	599	513	444	1067	884	745	636	551
		2	773	642	543	465	403	854	709	599	513	444	1067	884	745	636	551
		3	773	642	543	465	403	854	709	599	513	444	1067	884	745	636	551
		4	773	642	543	465	403	854	709	599	513	444	1067	884	745	636	551
		5	773	642	543	465	403	854	709	599	513	444	1067	884	745	636	551
		6.5	773	642	543	465	403	854	709	599	513	444	1061	884	745	636	551
	>30-45	1	763	636	538	462	400	843	701	593	509	441	1050	872	736	630	546
		2	763	636	538	462	400	843	701	593	509	441	1050	872	736	630	546
		3	763	636	538	462	400	843	701	593	509	441	1050	872	736	630	546
		4	763	636	538	462	400	843	701	593	509	441	1050	872	736	630	546
		5	763	636	538	462	400	843	701	593	509	441	1050	872	736	630	546
		6.5	763	636	538	462	400	843	701	593	509	441	1050	872	736	630	546
	>45-60	1	796	663	561	481	417	879	731	619	530	460	1095	909	768	657	569
		2	796	663	561	481	417	879	731	619	530	460	1095	909	768	657	569
		3	796	663	561	481	417	879	731	619	530	460	1095	909	768	657	569
		4	796	663	561	481	417	879	731	619	530	460	1095	909	768	657	569
		5	796	663	561	481	417	879	731	619	530	460	1095	909	768	657	569
		6.5	796	663	561	481	417	879	731	619	530	460	1095	909	768	657	569
F _{up}	0-15	1	N/A	N/A	N/A	N/A	N/A	N/A	N/A	N/A	N/A	N/A	N/A	N/A	N/A	N/A	N/A
		2	N/A	N/A	N/A	N/A	N/A	N/A	N/A	N/A	N/A	N/A	N/A	N/A	N/A	N/A	N/A
		3	N/A	N/A	N/A	N/A	N/A	N/A	N/A	N/A	N/A	N/A	N/A	N/A	N/A	N/A	N/A
		4	N/A	N/A	N/A	N/A	N/A	N/A	N/A	N/A	N/A	N/A	N/A	N/A	N/A	N/A	N/A
		5	N/A	N/A	N/A	N/A	N/A	N/A	N/A	N/A	N/A	N/A	N/A	N/A	N/A	N/A	N/A
		6.5	N/A	N/A	N/A	N/A	N/A	N/A	N/A	N/A	N/A	N/A	N/A	N/A	N/A	N/A	N/A
	>15-30	1	N/A	N/A	N/A	N/A	N/A	N/A	N/A	N/A	N/A	N/A	N/A	N/A	N/A	N/A	N/A
		2	N/A	N/A	N/A	N/A	N/A	N/A	N/A	N/A	N/A	N/A	N/A	N/A	N/A	N/A	N/A
		3	N/A	N/A	N/A	N/A	N/A	N/A	N/A	N/A	N/A	N/A	N/A	N/A	N/A	N/A	N/A
		4	N/A	N/A	N/A	N/A	N/A	N/A	N/A	N/A	N/A	N/A	N/A	N/A	N/A	N/A	N/A
		5	N/A	N/A	N/A	N/A	N/A	N/A	N/A	N/A	N/A	N/A	N/A	N/A	N/A	N/A	N/A
		6.5	N/A	N/A	N/A	N/A	N/A	N/A	N/A	N/A	N/A	N/A	N/A	N/A	N/A	N/A	N/A
	>30-45	1	446	N/A	N/A	N/A	N/A	491	410	N/A	N/A	N/A	610	508	430	N/A	N/A
		2	446	N/A	N/A	N/A	N/A	491	410	N/A	N/A	N/A	610	508	430	N/A	N/A
		3	446	N/A	N/A	N/A	N/A	491	410	N/A	N/A	N/A	610	508	430	N/A	N/A
		4	446	N/A	N/A	N/A	N/A	491	410	N/A	N/A	N/A	610	508	430	N/A	N/A
		5	446	N/A	N/A	N/A	N/A	491	410	N/A	N/A	N/A	610	508	430	N/A	N/A
		6.5	446	N/A	N/A	N/A	N/A	491	410	N/A	N/A	N/A	610	508	430	N/A	N/A
	>45-60	1	507	423	N/A	N/A	N/A	558	466	N/A	N/A	N/A	692	577	489	419	N/A
		2	507	423	N/A	N/A	N/A	558	466	N/A	N/A	N/A	692	577	489	419	N/A
		3	507	423	N/A	N/A	N/A	558	466	N/A	N/A	N/A	692	577	489	419	N/A
		4	507	423	N/A	N/A	N/A	558	466	N/A	N/A	N/A	692	577	489	419	N/A
		5	507	423	N/A	N/A	N/A	558	466	N/A	N/A	N/A	692	577	489	419	N/A
		6.5	507	423	N/A	N/A	N/A	558	466	N/A	N/A	N/A	692	577	489	419	N/A

Flat or Mono-pitch Roof

Table 4.B Leveling Foot Max. Spacing, Portrait Orientation, Schletter Fix2000

Roof Zone	Roof Pitch	Terrain Category	All terrain categories less than 5km from shoreline					All terrain categories more than 5km from shoreline; less than 5km inside town terrain (only III+IV)					Terrain Categories III+IV more than 10km from Shoreline; more than 5km inside town terrain				
		Wind Speed	22	24	26	28	30	22	24	26	28	30	22	24	26	28	30
		Snow Zone															
F _{low}	0-15	1	N/A	N/A	N/A	N/A	N/A	414	N/A	N/A	N/A	N/A	514	428	N/A	N/A	N/A
		2	N/A	N/A	N/A	N/A	N/A	414	N/A	N/A	N/A	N/A	514	428	N/A	N/A	N/A
		3	N/A	N/A	N/A	N/A	N/A	414	N/A	N/A	N/A	N/A	514	428	N/A	N/A	N/A
		4	N/A	N/A	N/A	N/A	N/A	414	N/A	N/A	N/A	N/A	514	428	N/A	N/A	N/A
		5	N/A	N/A	N/A	N/A	N/A	414	N/A	N/A	N/A	N/A	514	428	N/A	N/A	N/A
	6.5	N/A	N/A	N/A	N/A	N/A	414	N/A	N/A	N/A	N/A	514	428	N/A	N/A	N/A	
	>15-30	1	479	400	N/A	N/A	N/A	529	441	N/A	N/A	N/A	657	547	462	N/A	N/A
		2	479	400	N/A	N/A	N/A	529	441	N/A	N/A	N/A	657	547	462	N/A	N/A
		3	479	400	N/A	N/A	N/A	529	441	N/A	N/A	N/A	657	547	462	N/A	N/A
		4	479	400	N/A	N/A	N/A	529	441	N/A	N/A	N/A	657	547	462	N/A	N/A
		5	479	400	N/A	N/A	N/A	529	441	N/A	N/A	N/A	657	547	462	N/A	N/A
	6.5	479	400	N/A	N/A	N/A	529	441	N/A	N/A	N/A	657	547	462	N/A	N/A	
	>30-45	1	580	484	410	N/A	N/A	639	533	452	N/A	N/A	794	661	560	480	416
		2	580	484	410	N/A	N/A	639	533	452	N/A	N/A	794	661	560	480	416
		3	580	484	410	N/A	N/A	639	533	452	N/A	N/A	794	661	560	480	416
		4	580	484	410	N/A	N/A	639	533	452	N/A	N/A	794	661	560	480	416
		5	580	484	410	N/A	N/A	639	533	452	N/A	N/A	794	661	560	480	416
	6.5	580	484	410	N/A	N/A	639	533	452	N/A	N/A	794	661	560	480	416	
	>45-60	1	583	486	412	N/A	N/A	642	536	454	N/A	N/A	798	664	562	482	418
		2	583	486	412	N/A	N/A	642	536	454	N/A	N/A	798	664	562	482	418
		3	583	486	412	N/A	N/A	642	536	454	N/A	N/A	798	664	562	482	418
		4	583	486	412	N/A	N/A	642	536	454	N/A	N/A	798	664	562	482	418
		5	583	486	412	N/A	N/A	642	536	454	N/A	N/A	798	664	562	482	418
	6.5	583	486	412	N/A	N/A	642	536	454	N/A	N/A	798	664	562	482	418	
G@0	0-15	1	545	454	N/A	N/A	N/A	602	501	424	N/A	N/A	750	623	526	450	N/A
		2	545	454	N/A	N/A	N/A	602	501	424	N/A	N/A	750	623	526	450	N/A
		3	545	454	N/A	N/A	N/A	602	501	424	N/A	N/A	750	623	526	450	N/A
		4	545	454	N/A	N/A	N/A	602	501	424	N/A	N/A	750	623	526	450	N/A
		5	545	454	N/A	N/A	N/A	602	501	424	N/A	N/A	750	623	526	450	N/A
	6.5	545	454	N/A	N/A	N/A	602	501	424	N/A	N/A	750	623	526	450	N/A	
	>15-30	1	1019	843	710	607	524	1130	933	785	670	579	1423	1171	981	835	720
		2	1019	843	710	607	524	1130	933	785	670	579	1423	1171	981	835	720
		3	1019	843	710	607	524	1130	933	785	670	579	1423	1171	981	835	720
		4	1019	843	710	607	524	1130	933	785	670	579	1367	1171	981	835	720
		5	1019	843	710	607	524	1130	933	785	670	579	1226	1171	981	835	720
	6.5	1019	843	710	607	524	1061	933	785	670	579	1061	1061	981	835	720	
	>30-45	1	1788	1467	1228	1043	899	1800	1631	1362	1156	994	1800	1800	1719	1453	1246
		2	1784	1467	1228	1043	899	1784	1631	1362	1156	994	1784	1784	1719	1453	1246
		3	1553	1467	1228	1043	899	1553	1553	1362	1156	994	1553	1553	1553	1453	1246
		4	1375	1375	1228	1043	899	1375	1375	1362	1156	994	1375	1375	1375	1375	1246
		5	1234	1234	1228	1043	899	1234	1234	1234	1156	994	1234	1234	1234	1234	1234
	6.5	1069	1069	1069	1043	899	1069	1069	1069	1069	994	1069	1069	1069	1069	1069	
	>45-60	1	1800	1800	1700	1540	1360	1800	1800	1790	1640	1480	1800	1800	1800	1800	1710
		2	1800	1800	1690	1530	1350	1800	1800	1780	1630	1470	1800	1800	1800	1800	1710
		3	1800	1800	1680	1520	1350	1800	1800	1780	1630	1470	1800	1800	1800	1800	1700
		4	1800	1800	1680	1510	1340	1800	1800	1770	1620	1460	1800	1800	1800	1800	1690
		5	1759	1759	1670	1510	1330	1759	1759	1759	1610	1450	1759	1759	1759	1759	1680
	6.5	1570	1570	1570	1490	1320	1570	1570	1570	1570	1440	1570	1570	1570	1570	1570	

Flat or Mono-pitch Roof

Table 4.C Leveling Foot Max. Spacing, Portrait Orientation, Schletter Fix2000

Roof Zone	Roof Pitch	Terrain Category	All terrain categories less than 5km from shoreline					All terrain categories more than 5km from shoreline; less than 5km inside town terrain (only III+IV)					Terrain Categories III+IV more than 10km from Shoreline; more than 5km inside town terrain				
		Wind Speed	22	24	26	28	30	22	24	26	28	30	22	24	26	28	30
		Snow Zone															
G@90	0-15	1	545	454	N/A	N/A	N/A	602	501	424	N/A	N/A	750	623	526	450	N/A
		2	545	454	N/A	N/A	N/A	602	501	424	N/A	N/A	750	623	526	450	N/A
		3	545	454	N/A	N/A	N/A	602	501	424	N/A	N/A	750	623	526	450	N/A
		4	545	454	N/A	N/A	N/A	602	501	424	N/A	N/A	750	623	526	450	N/A
		5	545	454	N/A	N/A	N/A	602	501	424	N/A	N/A	750	623	526	450	N/A
		6.5	545	454	N/A	N/A	N/A	602	501	424	N/A	N/A	750	623	526	450	N/A
	>15-30	1	637	530	449	N/A	N/A	703	585	495	424	N/A	876	727	614	526	455
		2	637	530	449	N/A	N/A	703	585	495	424	N/A	876	727	614	526	455
		3	637	530	449	N/A	N/A	703	585	495	424	N/A	876	727	614	526	455
		4	637	530	449	N/A	N/A	703	585	495	424	N/A	876	727	614	526	455
		5	637	530	449	N/A	N/A	703	585	495	424	N/A	876	727	614	526	455
		6.5	637	530	449	N/A	N/A	703	585	495	424	N/A	876	727	614	526	455
	>30-45	1	630	526	446	N/A	N/A	695	580	491	421	N/A	864	719	608	521	452
		2	630	526	446	N/A	N/A	695	580	491	421	N/A	864	719	608	521	452
		3	630	526	446	N/A	N/A	695	580	491	421	N/A	864	719	608	521	452
		4	630	526	446	N/A	N/A	695	580	491	421	N/A	864	719	608	521	452
		5	630	526	446	N/A	N/A	695	580	491	421	N/A	864	719	608	521	452
		6.5	630	526	446	N/A	N/A	695	580	491	421	N/A	864	719	608	521	452
	>45-60	1	622	520	442	N/A	N/A	686	573	486	418	N/A	849	709	601	516	448
		2	622	520	442	N/A	N/A	686	573	486	418	N/A	849	709	601	516	448
		3	622	520	442	N/A	N/A	686	573	486	418	N/A	849	709	601	516	448
		4	622	520	442	N/A	N/A	686	573	486	418	N/A	849	709	601	516	448
		5	622	520	442	N/A	N/A	686	573	486	418	N/A	849	709	601	516	448
		6.5	622	520	442	N/A	N/A	686	573	486	418	N/A	849	709	601	516	448
G@180	0-15	1	545	454	N/A	N/A	N/A	602	501	424	N/A	N/A	750	623	526	450	N/A
		2	545	454	N/A	N/A	N/A	602	501	424	N/A	N/A	750	623	526	450	N/A
		3	545	454	N/A	N/A	N/A	602	501	424	N/A	N/A	750	623	526	450	N/A
		4	545	454	N/A	N/A	N/A	602	501	424	N/A	N/A	750	623	526	450	N/A
		5	545	454	N/A	N/A	N/A	602	501	424	N/A	N/A	750	623	526	450	N/A
		6.5	545	454	N/A	N/A	N/A	602	501	424	N/A	N/A	750	623	526	450	N/A
	>15-30	1	773	642	543	465	403	854	709	599	513	444	1067	884	745	636	551
		2	773	642	543	465	403	854	709	599	513	444	1067	884	745	636	551
		3	773	642	543	465	403	854	709	599	513	444	1067	884	745	636	551
		4	773	642	543	465	403	854	709	599	513	444	1067	884	745	636	551
		5	773	642	543	465	403	854	709	599	513	444	1067	884	745	636	551
		6.5	773	642	543	465	403	854	709	599	513	444	1061	884	745	636	551
	>30-45	1	783	651	550	471	408	866	719	607	520	450	1082	896	755	645	558
		2	783	651	550	471	408	866	719	607	520	450	1082	896	755	645	558
		3	783	651	550	471	408	866	719	607	520	450	1082	896	755	645	558
		4	783	651	550	471	408	866	719	607	520	450	1082	896	755	645	558
		5	783	651	550	471	408	866	719	607	520	450	1082	896	755	645	558
		6.5	783	651	550	471	408	866	719	607	520	450	1069	896	755	645	558
	>45-60	1	975	810	685	587	508	1077	895	755	647	560	1347	1115	940	803	694
		2	975	810	685	587	508	1077	895	755	647	560	1347	1115	940	803	694
		3	975	810	685	587	508	1077	895	755	647	560	1347	1115	940	803	694
		4	975	810	685	587	508	1077	895	755	647	560	1347	1115	940	803	694
		5	975	810	685	587	508	1077	895	755	647	560	1347	1115	940	803	694
		6.5	975	810	685	587	508	1077	895	755	647	560	1347	1115	940	803	694

Duo-Pitch Roof

Table 4.D Leveling Foot Max. Spacing, Portrait Orientation, Schletter Fix2000

Roof Zone	Roof Pitch	Terrain Category	All terrain categories less than 5km from shoreline					All terrain categories more than 5km from shoreline; less than 5km inside town terrain (only III+IV)					Terrain Categories III+IV more than 10km from Shoreline; more than 5km inside town terrain				
		Wind Speed	22	24	26	28	30	22	24	26	28	30	22	24	26	28	30
		Snow Zone															
H	5-15	1	1365	1124	943	803	692	1519	1247	1044	888	765	1800	1576	1313	1113	957
		2	1365	1124	943	803	692	1519	1247	1044	888	765	1800	1576	1313	1113	957
		3	1365	1124	943	803	692	1519	1247	1044	888	765	1800	1576	1313	1113	957
		4	1365	1124	943	803	692	1519	1247	1044	888	765	1800	1576	1313	1113	957
		5	1365	1124	943	803	692	1519	1247	1044	888	765	1800	1576	1313	1113	957
		6.5	1365	1124	943	803	692	1519	1247	1044	888	765	1800	1576	1313	1113	957
	>15-30	1	1347	1112	934	796	688	1496	1232	1034	880	760	1551	1551	1297	1101	948
		2	1296	1112	934	796	688	1296	1232	1034	880	760	1296	1296	1296	1101	948
		3	1113	1112	934	796	688	1113	1113	1034	880	760	1113	1113	1113	1101	948
		4	975	975	934	796	688	975	975	975	880	760	975	975	975	975	948
		5	868	868	868	796	688	868	868	868	868	760	868	868	868	868	868
		6.5	745	745	745	745	688	745	745	745	745	745	745	745	745	745	745
	>30-45	1	1319	1093	920	787	680	1462	1209	1017	868	751	1558	1515	1271	1082	934
		2	1304	1093	920	787	680	1304	1209	1017	868	751	1304	1304	1271	1082	934
		3	1121	1093	920	787	680	1121	1121	1017	868	751	1121	1121	1121	1082	934
		4	983	983	920	787	680	983	983	983	868	751	983	983	983	983	934
		5	876	876	876	787	680	876	876	876	868	751	876	876	876	876	876
		6.5	752	752	752	752	680	752	752	752	752	751	752	752	752	752	752
	>45-60	1	1091	909	769	660	572	1205	1003	848	727	630	1501	1246	1052	901	780
		2	1091	909	769	660	572	1205	1003	848	727	630	1501	1246	1052	901	780
		3	1091	909	769	660	572	1205	1003	848	727	630	1501	1246	1052	901	780
		4	1091	909	769	660	572	1205	1003	848	727	630	1468	1246	1052	901	780
		5	1091	909	769	660	572	1205	1003	848	727	630	1334	1246	1052	901	780
		6.5	1091	909	769	660	572	1173	1003	848	727	630	1173	1173	1052	901	780
F	5-15	1	N/A	N/A	N/A	N/A	N/A	414	N/A	N/A	N/A	N/A	514	428	N/A	N/A	N/A
		2	N/A	N/A	N/A	N/A	N/A	414	N/A	N/A	N/A	N/A	514	428	N/A	N/A	N/A
		3	N/A	N/A	N/A	N/A	N/A	414	N/A	N/A	N/A	N/A	514	428	N/A	N/A	N/A
		4	N/A	N/A	N/A	N/A	N/A	414	N/A	N/A	N/A	N/A	514	428	N/A	N/A	N/A
		5	N/A	N/A	N/A	N/A	N/A	414	N/A	N/A	N/A	N/A	514	428	N/A	N/A	N/A
		6.5	N/A	N/A	N/A	N/A	N/A	414	N/A	N/A	N/A	N/A	514	428	N/A	N/A	N/A
	>15-30	1	482	402	N/A	N/A	N/A	531	443	N/A	N/A	N/A	660	549	464	N/A	N/A
		2	482	402	N/A	N/A	N/A	531	443	N/A	N/A	N/A	660	549	464	N/A	N/A
		3	482	402	N/A	N/A	N/A	531	443	N/A	N/A	N/A	660	549	464	N/A	N/A
		4	482	402	N/A	N/A	N/A	531	443	N/A	N/A	N/A	660	549	464	N/A	N/A
		5	482	402	N/A	N/A	N/A	531	443	N/A	N/A	N/A	660	549	464	N/A	N/A
		6.5	482	402	N/A	N/A	N/A	531	443	N/A	N/A	N/A	660	549	464	N/A	N/A
	>30-45	1	630	526	446	N/A	N/A	695	580	491	421	N/A	864	719	608	521	452
		2	630	526	446	N/A	N/A	695	580	491	421	N/A	864	719	608	521	452
		3	630	526	446	N/A	N/A	695	580	491	421	N/A	864	719	608	521	452
		4	630	526	446	N/A	N/A	695	580	491	421	N/A	864	719	608	521	452
		5	630	526	446	N/A	N/A	695	580	491	421	N/A	864	719	608	521	452
		6.5	630	526	446	N/A	N/A	695	580	491	421	N/A	752	719	608	521	452
	>45-60	1	622	520	442	N/A	N/A	686	573	486	418	N/A	849	709	601	516	448
		2	622	520	442	N/A	N/A	686	573	486	418	N/A	849	709	601	516	448
		3	622	520	442	N/A	N/A	686	573	486	418	N/A	849	709	601	516	448
		4	622	520	442	N/A	N/A	686	573	486	418	N/A	849	709	601	516	448
		5	622	520	442	N/A	N/A	686	573	486	418	N/A	849	709	601	516	448
		6.5	622	520	442	N/A	N/A	686	573	486	418	N/A	849	709	601	516	448

Duo-Pitch Roof

Table 4.F Leveling Foot Max. Spacing, Portrait Orientation, Schletter Fix2000

Roof Zone	Roof Pitch	Terrain Category	All terrain categories less than 5km from shoreline					All terrain categories more than 5km from shoreline; less than 5km inside town terrain (only III+IV)					Terrain Categories III+IV more than 10km from Shoreline; more than 5km inside town terrain				
		Wind Speed	22	24	26	28	30	22	24	26	28	30	22	24	26	28	30
		Snow Zone															
J	5-15	1	589	490	415	N/A	N/A	650	541	457	N/A	N/A	810	673	568	486	421
		2	589	490	415	N/A	N/A	650	541	457	N/A	N/A	810	673	568	486	421
		3	589	490	415	N/A	N/A	650	541	457	N/A	N/A	810	673	568	486	421
		4	589	490	415	N/A	N/A	650	541	457	N/A	N/A	810	673	568	486	421
		5	589	490	415	N/A	N/A	650	541	457	N/A	N/A	810	673	568	486	421
		6.5	589	490	415	N/A	N/A	650	541	457	N/A	N/A	810	673	568	486	421
	>15-30	1	602	501	424	N/A	N/A	664	553	467	400	N/A	828	687	580	496	430
		2	602	501	424	N/A	N/A	664	553	467	400	N/A	828	687	580	496	430
		3	602	501	424	N/A	N/A	664	553	467	400	N/A	828	687	580	496	430
		4	602	501	424	N/A	N/A	664	553	467	400	N/A	828	687	580	496	430
		5	602	501	424	N/A	N/A	664	553	467	400	N/A	828	687	580	496	430
		6.5	602	501	424	N/A	N/A	664	553	467	400	N/A	745	687	580	496	430
	>30-45	1	871	723	611	523	453	963	799	674	577	499	1207	998	839	717	619
		2	871	723	611	523	453	963	799	674	577	499	1207	998	839	717	619
		3	871	723	611	523	453	963	799	674	577	499	1121	998	839	717	619
		4	871	723	611	523	453	963	799	674	577	499	983	983	839	717	619
		5	871	723	611	523	453	876	799	674	577	499	876	876	839	717	619
		6.5	752	723	611	523	453	752	752	674	577	499	752	752	752	717	619
	>45-60	1	948	791	670	575	499	1046	872	738	633	549	1301	1082	915	784	679
		2	948	791	670	575	499	1046	872	738	633	549	1301	1082	915	784	679
		3	948	791	670	575	499	1046	872	738	633	549	1301	1082	915	784	679
		4	948	791	670	575	499	1046	872	738	633	549	1301	1082	915	784	679
		5	948	791	670	575	499	1046	872	738	633	549	1301	1082	915	784	679
		6.5	948	791	670	575	499	1046	872	738	633	549	1173	1082	915	784	679

Flat or Mono-pitch Roof

Table 5.A Leveling Foot Max. Spacing, Landscape Orientation, S-5S or S-5E on 0.5mm Standing Seam Roof

Roof Zone	Roof Pitch	Terrain Category	All terrain categories less than 5km from shoreline					All terrain categories more than 5km from shoreline; less than 5km inside town terrain (only III+IV)					Terrain Categories III+IV more than 10km from Shoreline; more than 5km inside town terrain				
			22	24	26	28	30	22	24	26	28	30	22	24	26	28	30
		Wind Speed															
		Snow Zone															
H	0-15	1	982	814	687	587	508	1087	900	758	648	561	1365	1126	946	807	697
		2	982	814	687	587	508	1087	900	758	648	561	1365	1126	946	807	697
		3	982	814	687	587	508	1087	900	758	648	561	1365	1126	946	807	697
		4	982	814	687	587	508	1087	900	758	648	561	1365	1126	946	807	697
		5	982	814	687	587	508	1087	900	758	648	561	1365	1126	946	807	697
		6.5	982	814	687	587	508	1087	900	758	648	561	1365	1126	946	807	697
	>15-30	1	870	723	611	524	454	961	798	674	577	500	1202	995	838	717	620
		2	870	723	611	524	454	961	798	674	577	500	1202	995	838	717	620
		3	870	723	611	524	454	961	798	674	577	500	1202	995	838	717	620
		4	870	723	611	524	454	961	798	674	577	500	1202	995	838	717	620
		5	870	723	611	524	454	961	798	674	577	500	1202	995	838	717	620
		6.5	870	723	611	524	454	961	798	674	577	500	1202	995	838	717	620
	>30-45	1	859	716	606	520	451	949	790	668	573	496	1182	982	829	710	615
		2	859	716	606	520	451	949	790	668	573	496	1182	982	829	710	615
		3	859	716	606	520	451	949	790	668	573	496	1182	982	829	710	615
		4	859	716	606	520	451	949	790	668	573	496	1182	982	829	710	615
		5	859	716	606	520	451	949	790	668	573	496	1182	982	829	710	615
		6.5	859	716	606	520	451	949	790	668	573	496	1182	982	829	710	615
	>45-60	1	896	747	632	542	470	990	824	696	597	518	1233	1024	864	740	641
		2	896	747	632	542	470	990	824	696	597	518	1233	1024	864	740	641
		3	896	747	632	542	470	990	824	696	597	518	1233	1024	864	740	641
		4	896	747	632	542	470	990	824	696	597	518	1233	1024	864	740	641
		5	896	747	632	542	470	990	824	696	597	518	1233	1024	864	740	641
		6.5	896	747	632	542	470	990	824	696	597	518	1233	1024	864	740	641
F _{up}	0-15	1	N/A	N/A	N/A	N/A	N/A	N/A	N/A	N/A	N/A	N/A	439	N/A	N/A	N/A	N/A
		2	N/A	N/A	N/A	N/A	N/A	N/A	N/A	N/A	N/A	N/A	439	N/A	N/A	N/A	N/A
		3	N/A	N/A	N/A	N/A	N/A	N/A	N/A	N/A	N/A	N/A	439	N/A	N/A	N/A	N/A
		4	N/A	N/A	N/A	N/A	N/A	N/A	N/A	N/A	N/A	N/A	439	N/A	N/A	N/A	N/A
		5	N/A	N/A	N/A	N/A	N/A	N/A	N/A	N/A	N/A	N/A	439	N/A	N/A	N/A	N/A
		6.5	N/A	N/A	N/A	N/A	N/A	N/A	N/A	N/A	N/A	N/A	439	N/A	N/A	N/A	N/A
	>15-30	1	N/A	N/A	N/A	N/A	N/A	N/A	N/A	N/A	N/A	N/A	450	N/A	N/A	N/A	N/A
		2	N/A	N/A	N/A	N/A	N/A	N/A	N/A	N/A	N/A	N/A	450	N/A	N/A	N/A	N/A
		3	N/A	N/A	N/A	N/A	N/A	N/A	N/A	N/A	N/A	N/A	450	N/A	N/A	N/A	N/A
		4	N/A	N/A	N/A	N/A	N/A	N/A	N/A	N/A	N/A	N/A	450	N/A	N/A	N/A	N/A
		5	N/A	N/A	N/A	N/A	N/A	N/A	N/A	N/A	N/A	N/A	450	N/A	N/A	N/A	N/A
		6.5	N/A	N/A	N/A	N/A	N/A	N/A	N/A	N/A	N/A	N/A	450	N/A	N/A	N/A	N/A
	>30-45	1	502	419	N/A	N/A	N/A	553	462	N/A	N/A	N/A	686	572	484	415	N/A
		2	502	419	N/A	N/A	N/A	553	462	N/A	N/A	N/A	686	572	484	415	N/A
		3	502	419	N/A	N/A	N/A	553	462	N/A	N/A	N/A	686	572	484	415	N/A
		4	502	419	N/A	N/A	N/A	553	462	N/A	N/A	N/A	686	572	484	415	N/A
		5	502	419	N/A	N/A	N/A	553	462	N/A	N/A	N/A	686	572	484	415	N/A
		6.5	502	419	N/A	N/A	N/A	553	462	N/A	N/A	N/A	686	572	484	415	N/A
	>45-60	1	570	477	404	N/A	N/A	628	525	445	N/A	N/A	779	650	550	472	410
		2	570	477	404	N/A	N/A	628	525	445	N/A	N/A	779	650	550	472	410
		3	570	477	404	N/A	N/A	628	525	445	N/A	N/A	779	650	550	472	410
		4	570	477	404	N/A	N/A	628	525	445	N/A	N/A	779	650	550	472	410
		5	570	477	404	N/A	N/A	628	525	445	N/A	N/A	779	650	550	472	410
		6.5	570	477	404	N/A	N/A	628	525	445	N/A	N/A	779	650	550	472	410

Flat or Mono-pitch Roof

Table 5.C Leveling Foot Max. Spacing, Landscape Orientation, S-5S or S-5E on 0.5mm Standing Seam Roof

Roof Zone	Roof Pitch	Terrain Category	All terrain categories less than 5km from shoreline					All terrain categories more than 5km from shoreline; less than 5km inside town terrain (only III+IV)					Terrain Categories III+IV more than 10km from Shoreline; more than 5km inside town terrain				
		Wind Speed	22	24	26	28	30	22	24	26	28	30	22	24	26	28	30
		Snow Zone															
G@90	0-15	1	614	512	433	N/A	N/A	678	564	477	409	N/A	845	701	592	507	439
		2	614	512	433	N/A	N/A	678	564	477	409	N/A	845	701	592	507	439
		3	614	512	433	N/A	N/A	678	564	477	409	N/A	845	701	592	507	439
		4	614	512	433	N/A	N/A	678	564	477	409	N/A	845	701	592	507	439
		5	614	512	433	N/A	N/A	678	564	477	409	N/A	845	701	592	507	439
	6.5	614	512	433	N/A	N/A	678	564	477	409	N/A	845	701	592	507	439	
	>15-30	1	717	597	505	433	N/A	791	659	557	477	414	986	819	691	592	512
		2	717	597	505	433	N/A	791	659	557	477	414	986	819	691	592	512
		3	717	597	505	433	N/A	791	659	557	477	414	986	819	691	592	512
		4	717	597	505	433	N/A	791	659	557	477	414	986	819	691	592	512
		5	717	597	505	433	N/A	791	659	557	477	414	986	819	691	592	512
	6.5	717	597	505	433	N/A	791	659	557	477	414	986	819	691	592	512	
	>30-45	1	710	592	502	431	N/A	783	653	553	474	412	973	810	685	587	509
		2	710	592	502	431	N/A	783	653	553	474	412	973	810	685	587	509
		3	710	592	502	431	N/A	783	653	553	474	412	973	810	685	587	509
		4	710	592	502	431	N/A	783	653	553	474	412	973	810	685	587	509
		5	710	592	502	431	N/A	783	653	553	474	412	973	810	685	587	509
	6.5	710	592	502	431	N/A	783	653	553	474	412	973	810	685	587	509	
	>45-60	1	701	586	497	427	N/A	772	645	547	470	408	956	798	676	581	504
		2	701	586	497	427	N/A	772	645	547	470	408	956	798	676	581	504
		3	701	586	497	427	N/A	772	645	547	470	408	956	798	676	581	504
		4	701	586	497	427	N/A	772	645	547	470	408	956	798	676	581	504
		5	701	586	497	427	N/A	772	645	547	470	408	956	798	676	581	504
	6.5	701	586	497	427	N/A	772	645	547	470	408	956	798	676	581	504	
G@180	0-15	1	614	512	433	N/A	N/A	678	564	477	409	N/A	845	701	592	507	439
		2	614	512	433	N/A	N/A	678	564	477	409	N/A	845	701	592	507	439
		3	614	512	433	N/A	N/A	678	564	477	409	N/A	845	701	592	507	439
		4	614	512	433	N/A	N/A	678	564	477	409	N/A	845	701	592	507	439
		5	614	512	433	N/A	N/A	678	564	477	409	N/A	845	701	592	507	439
	6.5	614	512	433	N/A	N/A	678	564	477	409	N/A	845	701	592	507	439	
	>15-30	1	870	723	611	524	454	961	798	674	577	500	1202	995	838	717	620
		2	870	723	611	524	454	961	798	674	577	500	1202	995	838	717	620
		3	870	723	611	524	454	961	798	674	577	500	1202	995	838	717	620
		4	870	723	611	524	454	961	798	674	577	500	1202	995	838	717	620
		5	870	723	611	524	454	961	798	674	577	500	1202	995	838	717	620
	6.5	870	723	611	524	454	961	798	674	577	500	1202	995	838	717	620	
	>30-45	1	882	733	620	531	460	975	809	683	585	507	1218	1009	850	726	628
		2	882	733	620	531	460	975	809	683	585	507	1218	1009	850	726	628
		3	882	733	620	531	460	975	809	683	585	507	1218	1009	850	726	628
		4	882	733	620	531	460	975	809	683	585	507	1218	1009	850	726	628
		5	882	733	620	531	460	975	809	683	585	507	1218	1009	850	726	628
	6.5	882	733	620	531	460	975	809	683	585	507	1218	1009	850	726	628	
	>45-60	1	1097	912	771	660	572	1213	1007	850	728	631	1516	1256	1058	904	782
		2	1097	912	771	660	572	1213	1007	850	728	631	1516	1256	1058	904	782
		3	1097	912	771	660	572	1213	1007	850	728	631	1516	1256	1058	904	782
		4	1097	912	771	660	572	1213	1007	850	728	631	1516	1256	1058	904	782
		5	1097	912	771	660	572	1213	1007	850	728	631	1516	1256	1058	904	782
	6.5	1097	912	771	660	572	1213	1007	850	728	631	1516	1256	1058	904	782	

Duo-Pitch Roof

Table 5.D Leveling Foot Max. Spacing, Landscape Orientation, S-5S or S-5E on 0.5mm Standing Seam Roof

Roof Zone	Roof Pitch	Terrain Category	All terrain categories less than 5km from shoreline					All terrain categories more than 5km from shoreline; less than 5km inside town terrain (only III+IV)					Terrain Categories III+IV more than 10km from Shoreline; more than 5km inside town terrain				
			Wind Speed	22	24	26	28	30	22	24	26	28	30	22	24	26	28
		Snow Zone															
H	5-15	1	1537	1265	1061	904	780	1710	1404	1176	1000	862	1800	1774	1479	1253	1077
		2	1537	1265	1061	904	780	1710	1404	1176	1000	862	1800	1774	1479	1253	1077
		3	1537	1265	1061	904	780	1710	1404	1176	1000	862	1800	1774	1479	1253	1077
		4	1537	1265	1061	904	780	1710	1404	1176	1000	862	1800	1774	1479	1253	1077
		5	1537	1265	1061	904	780	1710	1404	1176	1000	862	1800	1774	1479	1253	1077
	6.5	1537	1265	1061	904	780	1710	1404	1176	1000	862	1800	1774	1479	1253	1077	
	>15-30	1	1517	1251	1051	897	774	1684	1387	1164	991	855	1800	1747	1460	1240	1067
		2	1517	1251	1051	897	774	1684	1387	1164	991	855	1800	1747	1460	1240	1067
		3	1517	1251	1051	897	774	1684	1387	1164	991	855	1800	1747	1460	1240	1067
		4	1517	1251	1051	897	774	1641	1387	1164	991	855	1641	1641	1460	1240	1067
		5	1460	1251	1051	897	774	1460	1387	1164	991	855	1460	1460	1460	1240	1067
	6.5	1253	1251	1051	897	774	1253	1253	1164	991	855	1253	1253	1253	1240	1067	
	>30-45	1	1485	1230	1036	886	766	1646	1361	1145	978	845	1800	1705	1431	1219	1051
		2	1485	1230	1036	886	766	1646	1361	1145	978	845	1800	1705	1431	1219	1051
		3	1485	1230	1036	886	766	1646	1361	1145	978	845	1800	1705	1431	1219	1051
		4	1485	1230	1036	886	766	1646	1361	1145	978	845	1654	1654	1431	1219	1051
		5	1473	1230	1036	886	766	1473	1361	1145	978	845	1473	1473	1431	1219	1051
	6.5	1265	1230	1036	886	766	1265	1265	1145	978	845	1265	1265	1265	1219	1051	
	>45-60	1	1229	1024	866	743	644	1356	1129	955	819	710	1690	1403	1185	1014	878
		2	1229	1024	866	743	644	1356	1129	955	819	710	1690	1403	1185	1014	878
		3	1229	1024	866	743	644	1356	1129	955	819	710	1690	1403	1185	1014	878
4		1229	1024	866	743	644	1356	1129	955	819	710	1690	1403	1185	1014	878	
5		1229	1024	866	743	644	1356	1129	955	819	710	1690	1403	1185	1014	878	
6.5	1229	1024	866	743	644	1356	1129	955	819	710	1690	1403	1185	1014	878		
F	5-15	1	423	N/A	N/A	N/A	N/A	466	N/A	N/A	N/A	N/A	578	482	408	N/A	N/A
		2	423	N/A	N/A	N/A	N/A	466	N/A	N/A	N/A	N/A	578	482	408	N/A	N/A
		3	423	N/A	N/A	N/A	N/A	466	N/A	N/A	N/A	N/A	578	482	408	N/A	N/A
		4	423	N/A	N/A	N/A	N/A	466	N/A	N/A	N/A	N/A	578	482	408	N/A	N/A
		5	423	N/A	N/A	N/A	N/A	466	N/A	N/A	N/A	N/A	578	482	408	N/A	N/A
	6.5	423	N/A	N/A	N/A	N/A	466	N/A	N/A	N/A	N/A	578	482	408	N/A	N/A	
	>15-30	1	542	452	N/A	N/A	N/A	598	498	422	N/A	N/A	744	619	523	448	N/A
		2	542	452	N/A	N/A	N/A	598	498	422	N/A	N/A	744	619	523	448	N/A
		3	542	452	N/A	N/A	N/A	598	498	422	N/A	N/A	744	619	523	448	N/A
		4	542	452	N/A	N/A	N/A	598	498	422	N/A	N/A	744	619	523	448	N/A
		5	542	452	N/A	N/A	N/A	598	498	422	N/A	N/A	744	619	523	448	N/A
	6.5	542	452	N/A	N/A	N/A	598	498	422	N/A	N/A	744	619	523	448	N/A	
	>30-45	1	710	592	502	431	N/A	783	653	553	474	412	973	810	685	587	509
		2	710	592	502	431	N/A	783	653	553	474	412	973	810	685	587	509
		3	710	592	502	431	N/A	783	653	553	474	412	973	810	685	587	509
		4	710	592	502	431	N/A	783	653	553	474	412	973	810	685	587	509
		5	710	592	502	431	N/A	783	653	553	474	412	973	810	685	587	509
	6.5	710	592	502	431	N/A	783	653	553	474	412	973	810	685	587	509	
	>45-60	1	701	586	497	427	N/A	772	645	547	470	408	956	798	676	581	504
		2	701	586	497	427	N/A	772	645	547	470	408	956	798	676	581	504
		3	701	586	497	427	N/A	772	645	547	470	408	956	798	676	581	504
4		701	586	497	427	N/A	772	645	547	470	408	956	798	676	581	504	
5		701	586	497	427	N/A	772	645	547	470	408	956	798	676	581	504	
6.5	701	586	497	427	N/A	772	645	547	470	408	956	798	676	581	504		

Duo-Pitch Roof

Table 5.E Leveling Foot Max. Spacing, Landscape Orientation, S-5S or S-5E on 0.5mm Standing Seam Roof

Roof Zone	Roof Pitch	Terrain Category	All terrain categories less than 5km from shoreline					All terrain categories more than 5km from shoreline; less than 5km inside town terrain (only III+IV)					Terrain Categories III+IV more than 10km from Shoreline; more than 5km inside town terrain					
		Wind Speed	22	24	26	28	30	22	24	26	28	30	22	24	26	28	30	
		Snow Zone																
G _{verge}	5-15	1	570	475	402	N/A	N/A	629	524	443	N/A	N/A	783	651	550	471	408	
		2	570	475	402	N/A	N/A	629	524	443	N/A	N/A	783	651	550	471	408	
		3	570	475	402	N/A	N/A	629	524	443	N/A	N/A	783	651	550	471	408	
		4	570	475	402	N/A	N/A	629	524	443	N/A	N/A	783	651	550	471	408	
		6.5	570	475	402	N/A	N/A	629	524	443	N/A	N/A	783	651	550	471	408	
	>15-30	1	581	484	410	N/A	N/A	641	534	452	N/A	N/A	797	663	560	480	416	
		2	581	484	410	N/A	N/A	641	534	452	N/A	N/A	797	663	560	480	416	
		3	581	484	410	N/A	N/A	641	534	452	N/A	N/A	797	663	560	480	416	
		4	581	484	410	N/A	N/A	641	534	452	N/A	N/A	797	663	560	480	416	
		6.5	581	484	410	N/A	N/A	641	534	452	N/A	N/A	797	663	560	480	416	
	>30-45	1	710	592	502	431	N/A	783	653	553	474	412	973	810	685	587	509	
		2	710	592	502	431	N/A	783	653	553	474	412	973	810	685	587	509	
		3	710	592	502	431	N/A	783	653	553	474	412	973	810	685	587	509	
		4	710	592	502	431	N/A	783	653	553	474	412	973	810	685	587	509	
		6.5	710	592	502	431	N/A	783	653	553	474	412	973	810	685	587	509	
	>45-60	1	701	586	497	427	N/A	772	645	547	470	408	956	798	676	581	504	
		2	701	586	497	427	N/A	772	645	547	470	408	956	798	676	581	504	
		3	701	586	497	427	N/A	772	645	547	470	408	956	798	676	581	504	
		4	701	586	497	427	N/A	772	645	547	470	408	956	798	676	581	504	
		6.5	701	586	497	427	N/A	772	645	547	470	408	956	798	676	581	504	
	G _{eave}	5-15	1	723	601	508	436	N/A	799	664	561	480	416	998	827	697	596	515
			2	723	601	508	436	N/A	799	664	561	480	416	998	827	697	596	515
			3	723	601	508	436	N/A	799	664	561	480	416	998	827	697	596	515
			4	723	601	508	436	N/A	799	664	561	480	416	998	827	697	596	515
6.5			723	601	508	436	N/A	799	664	561	480	416	998	827	697	596	515	
>15-30		1	1147	949	799	683	590	1272	1051	884	754	652	1602	1318	1105	941	811	
		2	1147	949	799	683	590	1272	1051	884	754	652	1602	1318	1105	941	811	
		3	1147	949	799	683	590	1272	1051	884	754	652	1602	1318	1105	941	811	
		4	1147	949	799	683	590	1272	1051	884	754	652	1602	1318	1105	941	811	
		6.5	1147	949	799	683	590	1253	1051	884	754	652	1253	1253	1105	941	811	
>30-45		1	1800	1652	1382	1175	1012	1800	1800	1533	1301	1119	1800	1800	1800	1636	1403	
		2	1800	1652	1382	1175	1012	1800	1800	1533	1301	1119	1800	1800	1800	1636	1403	
		3	1800	1652	1382	1175	1012	1800	1800	1533	1301	1119	1800	1800	1800	1636	1403	
		4	1654	1652	1382	1175	1012	1654	1654	1533	1301	1119	1654	1654	1654	1636	1403	
		6.5	1473	1473	1382	1175	1012	1473	1473	1473	1301	1119	1473	1473	1473	1473	1403	
>45-60		1	1800	1800	1800	1800	1740	1800	1800	1800	1800	1800	1800	1800	1800	1800	1800	
		2	1800	1800	1800	1800	1740	1800	1800	1800	1800	1800	1800	1800	1800	1800	1800	
		3	1800	1800	1800	1800	1730	1800	1800	1800	1800	1800	1800	1800	1800	1800	1800	
		4	1800	1800	1800	1800	1730	1800	1800	1800	1800	1790	1800	1800	1800	1800	1800	
		6.5	1800	1800	1800	1800	1710	1800	1800	1800	1800	1780	1800	1800	1800	1800	1800	

Duo-Pitch Roof

Table 5.F Leveling Foot Max. Spacing, Landscape Orientation, S-5S or S-5E on 0.5mm Standing Seam Roof

Roof Zone	Roof Pitch	Terrain Category	All terrain categories less than 5km from shoreline					All terrain categories more than 5km from shoreline; less than 5km inside town terrain (only III+IV)					Terrain Categories III+IV more than 10km from Shoreline; more than 5km inside town terrain				
		Wind Speed	22	24	26	28	30	22	24	26	28	30	22	24	26	28	30
		Snow Zone															
J	5-15	1	663	552	467	400	N/A	732	609	515	441	N/A	912	757	639	547	474
		2	663	552	467	400	N/A	732	609	515	441	N/A	912	757	639	547	474
		3	663	552	467	400	N/A	732	609	515	441	N/A	912	757	639	547	474
		4	663	552	467	400	N/A	732	609	515	441	N/A	912	757	639	547	474
		6.5	663	552	467	400	N/A	732	609	515	441	N/A	912	757	639	547	474
	>15-30	1	677	564	477	409	N/A	748	622	526	451	N/A	933	774	653	559	484
		2	677	564	477	409	N/A	748	622	526	451	N/A	933	774	653	559	484
		3	677	564	477	409	N/A	748	622	526	451	N/A	933	774	653	559	484
		4	677	564	477	409	N/A	748	622	526	451	N/A	933	774	653	559	484
		6.5	677	564	477	409	N/A	748	622	526	451	N/A	933	774	653	559	484
	>30-45	1	981	814	688	589	510	1085	900	759	649	562	1359	1123	945	807	697
		2	981	814	688	589	510	1085	900	759	649	562	1359	1123	945	807	697
		3	981	814	688	589	510	1085	900	759	649	562	1359	1123	945	807	697
		4	981	814	688	589	510	1085	900	759	649	562	1359	1123	945	807	697
		6.5	981	814	688	589	510	1085	900	759	649	562	1265	1123	945	807	697
	>45-60	1	1068	891	754	647	562	1178	982	831	713	618	1465	1218	1030	883	765
		2	1068	891	754	647	562	1178	982	831	713	618	1465	1218	1030	883	765
		3	1068	891	754	647	562	1178	982	831	713	618	1465	1218	1030	883	765
		4	1068	891	754	647	562	1178	982	831	713	618	1465	1218	1030	883	765
		6.5	1068	891	754	647	562	1178	982	831	713	618	1465	1218	1030	883	765

Flat or Mono-pitch Roof

Table 6.A Leveling Foot Max. Spacing, Portrait Orientation, S-5S or S-5E on 0.5mm Standing Seam Roof

Roof Zone	Roof Pitch	Terrain Category	All terrain categories less than 5km from shoreline					All terrain categories more than 5km from shoreline; less than 5km inside town terrain (only III+IV)					Terrain Categories III+IV more than 10km from Shoreline; more than 5km inside town terrain					
			22	24	26	28	30	22	24	26	28	30	22	24	26	28	30	
		Wind Speed																
		Snow Zone																
H	0-15	1	584	484	408	N/A	N/A	646	535	451	N/A	N/A	811	669	562	480	414	
		2	584	484	408	N/A	N/A	646	535	451	N/A	N/A	811	669	562	480	414	
		3	584	484	408	N/A	N/A	646	535	451	N/A	N/A	811	669	562	480	414	
		4	584	484	408	N/A	N/A	646	535	451	N/A	N/A	811	669	562	480	414	
		5	584	484	408	N/A	N/A	646	535	451	N/A	N/A	811	669	562	480	414	
		6.5	584	484	408	N/A	N/A	646	535	451	N/A	N/A	811	669	562	480	414	
	>15-30	1	517	430	N/A	N/A	N/A	571	475	401	N/A	N/A	714	591	498	426	N/A	
		2	517	430	N/A	N/A	N/A	571	475	401	N/A	N/A	714	591	498	426	N/A	
		3	517	430	N/A	N/A	N/A	571	475	401	N/A	N/A	714	591	498	426	N/A	
		4	517	430	N/A	N/A	N/A	571	475	401	N/A	N/A	714	591	498	426	N/A	
		5	517	430	N/A	N/A	N/A	571	475	401	N/A	N/A	714	591	498	426	N/A	
		6.5	517	430	N/A	N/A	N/A	571	475	401	N/A	N/A	714	591	498	426	N/A	
	>30-45	1	511	426	N/A	N/A	N/A	564	469	N/A	N/A	N/A	703	583	493	422	N/A	
		2	511	426	N/A	N/A	N/A	564	469	N/A	N/A	N/A	703	583	493	422	N/A	
		3	511	426	N/A	N/A	N/A	564	469	N/A	N/A	N/A	703	583	493	422	N/A	
		4	511	426	N/A	N/A	N/A	564	469	N/A	N/A	N/A	703	583	493	422	N/A	
		5	511	426	N/A	N/A	N/A	564	469	N/A	N/A	N/A	703	583	493	422	N/A	
		6.5	511	426	N/A	N/A	N/A	564	469	N/A	N/A	N/A	703	583	493	422	N/A	
	>45-60	1	533	444	N/A	N/A	N/A	588	489	414	N/A	N/A	733	609	514	440	N/A	
		2	533	444	N/A	N/A	N/A	588	489	414	N/A	N/A	733	609	514	440	N/A	
		3	533	444	N/A	N/A	N/A	588	489	414	N/A	N/A	733	609	514	440	N/A	
		4	533	444	N/A	N/A	N/A	588	489	414	N/A	N/A	733	609	514	440	N/A	
		5	533	444	N/A	N/A	N/A	588	489	414	N/A	N/A	733	609	514	440	N/A	
		6.5	533	444	N/A	N/A	N/A	588	489	414	N/A	N/A	733	609	514	440	N/A	
F _{up}	0-15	1	N/A	N/A	N/A	N/A	N/A	N/A	N/A	N/A	N/A	N/A	N/A	N/A	N/A	N/A	N/A	
		2	N/A	N/A	N/A	N/A	N/A	N/A	N/A	N/A	N/A	N/A	N/A	N/A	N/A	N/A	N/A	
		3	N/A	N/A	N/A	N/A	N/A	N/A	N/A	N/A	N/A	N/A	N/A	N/A	N/A	N/A	N/A	N/A
		4	N/A	N/A	N/A	N/A	N/A	N/A	N/A	N/A	N/A	N/A	N/A	N/A	N/A	N/A	N/A	N/A
		5	N/A	N/A	N/A	N/A	N/A	N/A	N/A	N/A	N/A	N/A	N/A	N/A	N/A	N/A	N/A	N/A
		6.5	N/A	N/A	N/A	N/A	N/A	N/A	N/A	N/A	N/A	N/A	N/A	N/A	N/A	N/A	N/A	N/A
	>15-30	1	N/A	N/A	N/A	N/A	N/A	N/A	N/A	N/A	N/A	N/A	N/A	N/A	N/A	N/A	N/A	N/A
		2	N/A	N/A	N/A	N/A	N/A	N/A	N/A	N/A	N/A	N/A	N/A	N/A	N/A	N/A	N/A	N/A
		3	N/A	N/A	N/A	N/A	N/A	N/A	N/A	N/A	N/A	N/A	N/A	N/A	N/A	N/A	N/A	N/A
		4	N/A	N/A	N/A	N/A	N/A	N/A	N/A	N/A	N/A	N/A	N/A	N/A	N/A	N/A	N/A	N/A
		5	N/A	N/A	N/A	N/A	N/A	N/A	N/A	N/A	N/A	N/A	N/A	N/A	N/A	N/A	N/A	N/A
		6.5	N/A	N/A	N/A	N/A	N/A	N/A	N/A	N/A	N/A	N/A	N/A	N/A	N/A	N/A	N/A	N/A
	>30-45	1	N/A	N/A	N/A	N/A	N/A	N/A	N/A	N/A	N/A	N/A	408	N/A	N/A	N/A	N/A	
		2	N/A	N/A	N/A	N/A	N/A	N/A	N/A	N/A	N/A	N/A	408	N/A	N/A	N/A	N/A	
		3	N/A	N/A	N/A	N/A	N/A	N/A	N/A	N/A	N/A	N/A	408	N/A	N/A	N/A	N/A	
		4	N/A	N/A	N/A	N/A	N/A	N/A	N/A	N/A	N/A	N/A	408	N/A	N/A	N/A	N/A	
		5	N/A	N/A	N/A	N/A	N/A	N/A	N/A	N/A	N/A	N/A	408	N/A	N/A	N/A	N/A	
		6.5	N/A	N/A	N/A	N/A	N/A	N/A	N/A	N/A	N/A	N/A	408	N/A	N/A	N/A	N/A	
	>45-60	1	N/A	N/A	N/A	N/A	N/A	N/A	N/A	N/A	N/A	N/A	463	N/A	N/A	N/A	N/A	
		2	N/A	N/A	N/A	N/A	N/A	N/A	N/A	N/A	N/A	N/A	463	N/A	N/A	N/A	N/A	
		3	N/A	N/A	N/A	N/A	N/A	N/A	N/A	N/A	N/A	N/A	463	N/A	N/A	N/A	N/A	
		4	N/A	N/A	N/A	N/A	N/A	N/A	N/A	N/A	N/A	N/A	463	N/A	N/A	N/A	N/A	
		5	N/A	N/A	N/A	N/A	N/A	N/A	N/A	N/A	N/A	N/A	463	N/A	N/A	N/A	N/A	
		6.5	N/A	N/A	N/A	N/A	N/A	N/A	N/A	N/A	N/A	N/A	463	N/A	N/A	N/A	N/A	

Flat or Mono-pitch Roof

Table 6.B Leveling Foot Max. Spacing, Portrait Orientation, S-5S or S-5E on 0.5mm Standing Seam Roof

Roof Zone	Roof Pitch	Terrain Category	All terrain categories less than 5km from shoreline					All terrain categories more than 5km from shoreline; less than 5km inside town terrain (only III+IV)					Terrain Categories III+IV more than 10km from Shoreline; more than 5km inside town terrain				
		Wind Speed	22	24	26	28	30	22	24	26	28	30	22	24	26	28	30
		Snow Zone															
F _{low}	0-15	1	N/A	N/A	N/A	N/A	N/A	N/A	N/A	N/A	N/A	N/A	N/A	N/A	N/A	N/A	N/A
		2	N/A	N/A	N/A	N/A	N/A	N/A	N/A	N/A	N/A	N/A	N/A	N/A	N/A	N/A	N/A
		3	N/A	N/A	N/A	N/A	N/A	N/A	N/A	N/A	N/A	N/A	N/A	N/A	N/A	N/A	N/A
		4	N/A	N/A	N/A	N/A	N/A	N/A	N/A	N/A	N/A	N/A	N/A	N/A	N/A	N/A	N/A
		5	N/A	N/A	N/A	N/A	N/A	N/A	N/A	N/A	N/A	N/A	N/A	N/A	N/A	N/A	N/A
	6.5	N/A	N/A	N/A	N/A	N/A	N/A	N/A	N/A	N/A	N/A	N/A	N/A	N/A	N/A	N/A	
	>15-30	1	N/A	N/A	N/A	N/A	N/A	N/A	N/A	N/A	N/A	N/A	440	N/A	N/A	N/A	N/A
		2	N/A	N/A	N/A	N/A	N/A	N/A	N/A	N/A	N/A	N/A	440	N/A	N/A	N/A	N/A
		3	N/A	N/A	N/A	N/A	N/A	N/A	N/A	N/A	N/A	N/A	440	N/A	N/A	N/A	N/A
		4	N/A	N/A	N/A	N/A	N/A	N/A	N/A	N/A	N/A	N/A	440	N/A	N/A	N/A	N/A
		5	N/A	N/A	N/A	N/A	N/A	N/A	N/A	N/A	N/A	N/A	440	N/A	N/A	N/A	N/A
	6.5	N/A	N/A	N/A	N/A	N/A	N/A	N/A	N/A	N/A	N/A	440	N/A	N/A	N/A	N/A	
	>30-45	1	N/A	N/A	N/A	N/A	N/A	428	N/A	N/A	N/A	N/A	531	442	N/A	N/A	N/A
		2	N/A	N/A	N/A	N/A	N/A	428	N/A	N/A	N/A	N/A	531	442	N/A	N/A	N/A
		3	N/A	N/A	N/A	N/A	N/A	428	N/A	N/A	N/A	N/A	531	442	N/A	N/A	N/A
		4	N/A	N/A	N/A	N/A	N/A	428	N/A	N/A	N/A	N/A	531	442	N/A	N/A	N/A
		5	N/A	N/A	N/A	N/A	N/A	428	N/A	N/A	N/A	N/A	531	442	N/A	N/A	N/A
	6.5	N/A	N/A	N/A	N/A	N/A	428	N/A	N/A	N/A	N/A	531	442	N/A	N/A	N/A	
	>45-60	1	N/A	N/A	N/A	N/A	N/A	430	N/A	N/A	N/A	N/A	534	444	N/A	N/A	N/A
		2	N/A	N/A	N/A	N/A	N/A	430	N/A	N/A	N/A	N/A	534	444	N/A	N/A	N/A
		3	N/A	N/A	N/A	N/A	N/A	430	N/A	N/A	N/A	N/A	534	444	N/A	N/A	N/A
		4	N/A	N/A	N/A	N/A	N/A	430	N/A	N/A	N/A	N/A	534	444	N/A	N/A	N/A
		5	N/A	N/A	N/A	N/A	N/A	430	N/A	N/A	N/A	N/A	534	444	N/A	N/A	N/A
	6.5	N/A	N/A	N/A	N/A	N/A	430	N/A	N/A	N/A	N/A	534	444	N/A	N/A	N/A	
G@0	0-15	1	N/A	N/A	N/A	N/A	N/A	403	N/A	N/A	N/A	N/A	502	417	N/A	N/A	N/A
		2	N/A	N/A	N/A	N/A	N/A	403	N/A	N/A	N/A	N/A	502	417	N/A	N/A	N/A
		3	N/A	N/A	N/A	N/A	N/A	403	N/A	N/A	N/A	N/A	502	417	N/A	N/A	N/A
		4	N/A	N/A	N/A	N/A	N/A	403	N/A	N/A	N/A	N/A	502	417	N/A	N/A	N/A
		5	N/A	N/A	N/A	N/A	N/A	403	N/A	N/A	N/A	N/A	502	417	N/A	N/A	N/A
	6.5	N/A	N/A	N/A	N/A	N/A	403	N/A	N/A	N/A	N/A	502	417	N/A	N/A	N/A	
	>15-30	1	682	564	475	406	N/A	756	625	525	448	N/A	953	783	657	559	482
		2	682	564	475	406	N/A	756	625	525	448	N/A	953	783	657	559	482
		3	682	564	475	406	N/A	756	625	525	448	N/A	953	783	657	559	482
		4	682	564	475	406	N/A	756	625	525	448	N/A	953	783	657	559	482
		5	682	564	475	406	N/A	756	625	525	448	N/A	953	783	657	559	482
	6.5	682	564	475	406	N/A	756	625	525	448	N/A	953	783	657	559	482	
	>30-45	1	1197	982	822	698	601	1334	1092	911	774	665	1705	1385	1150	972	834
		2	1197	982	822	698	601	1334	1092	911	774	665	1705	1385	1150	972	834
		3	1197	982	822	698	601	1334	1092	911	774	665	1553	1385	1150	972	834
		4	1197	982	822	698	601	1334	1092	911	774	665	1375	1375	1150	972	834
		5	1197	982	822	698	601	1234	1092	911	774	665	1234	1234	1150	972	834
	6.5	1069	982	822	698	601	1069	1069	911	774	665	1069	1069	1069	972	834	
	>45-60	1	1800	1800	1700	1540	1360	1800	1800	1790	1640	1480	1800	1800	1800	1800	1710
		2	1800	1800	1690	1530	1350	1800	1800	1780	1630	1470	1800	1800	1800	1800	1710
		3	1800	1800	1680	1520	1350	1800	1800	1780	1630	1470	1800	1800	1800	1800	1700
		4	1800	1800	1680	1510	1340	1800	1800	1770	1620	1460	1800	1800	1800	1800	1690
		5	1759	1759	1670	1510	1330	1759	1759	1759	1610	1450	1759	1759	1759	1759	1680
	6.5	1570	1570	1570	1490	1320	1570	1570	1570	1570	1440	1570	1570	1570	1570	1570	

Flat or Mono-pitch Roof

Table 6.C Leveling Foot Max. Spacing, Portrait Orientation, S-5S or S-5E on 0.5mm Standing Seam Roof

Roof Zone	Roof Pitch	Terrain Category	All terrain categories less than 5km from shoreline					All terrain categories more than 5km from shoreline; less than 5km inside town terrain (only III+IV)					Terrain Categories III+IV more than 10km from Shoreline; more than 5km inside town terrain					
		Wind Speed	22	24	26	28	30	22	24	26	28	30	22	24	26	28	30	
		Snow Zone																
G@90	0-15	1	N/A	N/A	N/A	N/A	N/A	403	N/A	N/A	N/A	N/A	502	417	N/A	N/A	N/A	
		2	N/A	N/A	N/A	N/A	N/A	403	N/A	N/A	N/A	N/A	502	417	N/A	N/A	N/A	
		3	N/A	N/A	N/A	N/A	N/A	403	N/A	N/A	N/A	N/A	502	417	N/A	N/A	N/A	
		4	N/A	N/A	N/A	N/A	N/A	403	N/A	N/A	N/A	N/A	502	417	N/A	N/A	N/A	
		6.5	N/A	N/A	N/A	N/A	N/A	403	N/A	N/A	N/A	N/A	502	417	N/A	N/A	N/A	
	>15-30	1	426	N/A	N/A	N/A	N/A	470	N/A	N/A	N/A	N/A	586	487	411	N/A	N/A	
		2	426	N/A	N/A	N/A	N/A	470	N/A	N/A	N/A	N/A	586	487	411	N/A	N/A	
		3	426	N/A	N/A	N/A	N/A	470	N/A	N/A	N/A	N/A	586	487	411	N/A	N/A	
		4	426	N/A	N/A	N/A	N/A	470	N/A	N/A	N/A	N/A	586	487	411	N/A	N/A	
		6.5	426	N/A	N/A	N/A	N/A	470	N/A	N/A	N/A	N/A	586	487	411	N/A	N/A	
	>30-45	1	422	N/A	N/A	N/A	N/A	465	N/A	N/A	N/A	N/A	578	481	407	N/A	N/A	
		2	422	N/A	N/A	N/A	N/A	465	N/A	N/A	N/A	N/A	578	481	407	N/A	N/A	
		3	422	N/A	N/A	N/A	N/A	465	N/A	N/A	N/A	N/A	578	481	407	N/A	N/A	
		4	422	N/A	N/A	N/A	N/A	465	N/A	N/A	N/A	N/A	578	481	407	N/A	N/A	
		6.5	422	N/A	N/A	N/A	N/A	465	N/A	N/A	N/A	N/A	578	481	407	N/A	N/A	
	>45-60	1	416	N/A	N/A	N/A	N/A	459	N/A	N/A	N/A	N/A	568	474	402	N/A	N/A	
		2	416	N/A	N/A	N/A	N/A	459	N/A	N/A	N/A	N/A	568	474	402	N/A	N/A	
		3	416	N/A	N/A	N/A	N/A	459	N/A	N/A	N/A	N/A	568	474	402	N/A	N/A	
		4	416	N/A	N/A	N/A	N/A	459	N/A	N/A	N/A	N/A	568	474	402	N/A	N/A	
		6.5	416	N/A	N/A	N/A	N/A	459	N/A	N/A	N/A	N/A	568	474	402	N/A	N/A	
	G@180	0-15	1	N/A	N/A	N/A	N/A	N/A	403	N/A	N/A	N/A	N/A	502	417	N/A	N/A	N/A
			2	N/A	N/A	N/A	N/A	N/A	403	N/A	N/A	N/A	N/A	502	417	N/A	N/A	N/A
			3	N/A	N/A	N/A	N/A	N/A	403	N/A	N/A	N/A	N/A	502	417	N/A	N/A	N/A
			4	N/A	N/A	N/A	N/A	N/A	403	N/A	N/A	N/A	N/A	502	417	N/A	N/A	N/A
6.5			N/A	N/A	N/A	N/A	N/A	403	N/A	N/A	N/A	N/A	502	417	N/A	N/A	N/A	
>15-30		1	517	430	N/A	N/A	N/A	571	475	401	N/A	N/A	714	591	498	426	N/A	
		2	517	430	N/A	N/A	N/A	571	475	401	N/A	N/A	714	591	498	426	N/A	
		3	517	430	N/A	N/A	N/A	571	475	401	N/A	N/A	714	591	498	426	N/A	
		4	517	430	N/A	N/A	N/A	571	475	401	N/A	N/A	714	591	498	426	N/A	
		6.5	517	430	N/A	N/A	N/A	571	475	401	N/A	N/A	714	591	498	426	N/A	
>30-45		1	524	436	N/A	N/A	N/A	579	481	406	N/A	N/A	724	600	505	432	N/A	
		2	524	436	N/A	N/A	N/A	579	481	406	N/A	N/A	724	600	505	432	N/A	
		3	524	436	N/A	N/A	N/A	579	481	406	N/A	N/A	724	600	505	432	N/A	
		4	524	436	N/A	N/A	N/A	579	481	406	N/A	N/A	724	600	505	432	N/A	
		6.5	524	436	N/A	N/A	N/A	579	481	406	N/A	N/A	724	600	505	432	N/A	
>45-60		1	652	542	458	N/A	N/A	721	599	505	433	N/A	901	746	629	537	465	
		2	652	542	458	N/A	N/A	721	599	505	433	N/A	901	746	629	537	465	
		3	652	542	458	N/A	N/A	721	599	505	433	N/A	901	746	629	537	465	
		4	652	542	458	N/A	N/A	721	599	505	433	N/A	901	746	629	537	465	
		6.5	652	542	458	N/A	N/A	721	599	505	433	N/A	901	746	629	537	465	

Duo-Pitch Roof

Table 6.D Leveling Foot Max. Spacing, Portrait Orientation, S-5S or S-5E on 0.5mm Standing Seam Roof

Roof Zone	Roof Pitch	Terrain Category	All terrain categories less than 5km from shoreline					All terrain categories more than 5km from shoreline; less than 5km inside town terrain (only III+IV)					Terrain Categories III+IV more than 10km from Shoreline; more than 5km inside town terrain				
			Wind Speed	22	24	26	28	30	22	24	26	28	30	22	24	26	28
		Snow Zone															
H	5-15	1	914	752	631	537	463	1016	835	699	594	512	1292	1055	879	745	640
		2	914	752	631	537	463	1016	835	699	594	512	1292	1055	879	745	640
		3	914	752	631	537	463	1016	835	699	594	512	1292	1055	879	745	640
		4	914	752	631	537	463	1016	835	699	594	512	1292	1055	879	745	640
		5	914	752	631	537	463	1016	835	699	594	512	1292	1055	879	745	640
		6.5	914	752	631	537	463	1016	835	699	594	512	1292	1055	879	745	640
	>15-30	1	902	744	625	533	460	1001	825	692	589	508	1268	1038	868	737	634
		2	902	744	625	533	460	1001	825	692	589	508	1268	1038	868	737	634
		3	902	744	625	533	460	1001	825	692	589	508	1113	1038	868	737	634
		4	902	744	625	533	460	975	825	692	589	508	975	975	868	737	634
		5	868	744	625	533	460	868	825	692	589	508	868	868	868	737	634
		6.5	745	744	625	533	460	745	745	692	589	508	745	745	745	737	634
	>30-45	1	883	731	616	526	455	978	809	681	581	502	1231	1014	850	724	625
		2	883	731	616	526	455	978	809	681	581	502	1231	1014	850	724	625
		3	883	731	616	526	455	978	809	681	581	502	1121	1014	850	724	625
		4	883	731	616	526	455	978	809	681	581	502	983	983	850	724	625
		5	876	731	616	526	455	876	809	681	581	502	876	876	850	724	625
		6.5	752	731	616	526	455	752	752	681	581	502	752	752	752	724	625
	>45-60	1	730	608	515	442	N/A	806	671	568	486	422	1005	834	704	603	522
		2	730	608	515	442	N/A	806	671	568	486	422	1005	834	704	603	522
		3	730	608	515	442	N/A	806	671	568	486	422	1005	834	704	603	522
		4	730	608	515	442	N/A	806	671	568	486	422	1005	834	704	603	522
		5	730	608	515	442	N/A	806	671	568	486	422	1005	834	704	603	522
		6.5	730	608	515	442	N/A	806	671	568	486	422	1005	834	704	603	522
F	5-15	1	N/A	N/A	N/A	N/A	N/A	N/A	N/A	N/A	N/A	N/A	N/A	N/A	N/A	N/A	N/A
		2	N/A	N/A	N/A	N/A	N/A	N/A	N/A	N/A	N/A	N/A	N/A	N/A	N/A	N/A	N/A
		3	N/A	N/A	N/A	N/A	N/A	N/A	N/A	N/A	N/A	N/A	N/A	N/A	N/A	N/A	N/A
		4	N/A	N/A	N/A	N/A	N/A	N/A	N/A	N/A	N/A	N/A	N/A	N/A	N/A	N/A	N/A
		5	N/A	N/A	N/A	N/A	N/A	N/A	N/A	N/A	N/A	N/A	N/A	N/A	N/A	N/A	N/A
		6.5	N/A	N/A	N/A	N/A	N/A	N/A	N/A	N/A	N/A	N/A	N/A	N/A	N/A	N/A	N/A
	>15-30	1	N/A	N/A	N/A	N/A	N/A	N/A	N/A	N/A	N/A	N/A	442	N/A	N/A	N/A	N/A
		2	N/A	N/A	N/A	N/A	N/A	N/A	N/A	N/A	N/A	N/A	442	N/A	N/A	N/A	N/A
		3	N/A	N/A	N/A	N/A	N/A	N/A	N/A	N/A	N/A	N/A	442	N/A	N/A	N/A	N/A
		4	N/A	N/A	N/A	N/A	N/A	N/A	N/A	N/A	N/A	N/A	442	N/A	N/A	N/A	N/A
		5	N/A	N/A	N/A	N/A	N/A	N/A	N/A	N/A	N/A	N/A	442	N/A	N/A	N/A	N/A
		6.5	N/A	N/A	N/A	N/A	N/A	N/A	N/A	N/A	N/A	N/A	442	N/A	N/A	N/A	N/A
	>30-45	1	422	N/A	N/A	N/A	N/A	465	N/A	N/A	N/A	N/A	578	481	407	N/A	N/A
		2	422	N/A	N/A	N/A	N/A	465	N/A	N/A	N/A	N/A	578	481	407	N/A	N/A
		3	422	N/A	N/A	N/A	N/A	465	N/A	N/A	N/A	N/A	578	481	407	N/A	N/A
		4	422	N/A	N/A	N/A	N/A	465	N/A	N/A	N/A	N/A	578	481	407	N/A	N/A
		5	422	N/A	N/A	N/A	N/A	465	N/A	N/A	N/A	N/A	578	481	407	N/A	N/A
		6.5	422	N/A	N/A	N/A	N/A	465	N/A	N/A	N/A	N/A	578	481	407	N/A	N/A
	>45-60	1	416	N/A	N/A	N/A	N/A	459	N/A	N/A	N/A	N/A	568	474	402	N/A	N/A
		2	416	N/A	N/A	N/A	N/A	459	N/A	N/A	N/A	N/A	568	474	402	N/A	N/A
		3	416	N/A	N/A	N/A	N/A	459	N/A	N/A	N/A	N/A	568	474	402	N/A	N/A
		4	416	N/A	N/A	N/A	N/A	459	N/A	N/A	N/A	N/A	568	474	402	N/A	N/A
		5	416	N/A	N/A	N/A	N/A	459	N/A	N/A	N/A	N/A	568	474	402	N/A	N/A
		6.5	416	N/A	N/A	N/A	N/A	459	N/A	N/A	N/A	N/A	568	474	402	N/A	N/A

Duo-Pitch Roof

Table 6.F Leveling Foot Max. Spacing, Portrait Orientation, S-5S or S-5E on 0.5mm Standing Seam Roof

Roof Zone	Roof Pitch	Terrain Category	All terrain categories less than 5km from shoreline					All terrain categories more than 5km from shoreline; less than 5km inside town terrain (only III+IV)					Terrain Categories III+IV more than 10km from Shoreline; more than 5km inside town terrain				
		Wind Speed	22	24	26	28	30	22	24	26	28	30	22	24	26	28	30
		Snow Zone															
J	5-15	1	N/A	N/A	N/A	N/A	N/A	435	N/A	N/A	N/A	N/A	542	450	N/A	N/A	N/A
		2	N/A	N/A	N/A	N/A	N/A	435	N/A	N/A	N/A	N/A	542	450	N/A	N/A	N/A
		3	N/A	N/A	N/A	N/A	N/A	435	N/A	N/A	N/A	N/A	542	450	N/A	N/A	N/A
		4	N/A	N/A	N/A	N/A	N/A	435	N/A	N/A	N/A	N/A	542	450	N/A	N/A	N/A
		5	N/A	N/A	N/A	N/A	N/A	435	N/A	N/A	N/A	N/A	542	450	N/A	N/A	N/A
		6.5	N/A	N/A	N/A	N/A	N/A	435	N/A	N/A	N/A	N/A	542	450	N/A	N/A	N/A
	>15-30	1	403	N/A	N/A	N/A	N/A	444	N/A	N/A	N/A	N/A	554	460	N/A	N/A	N/A
		2	403	N/A	N/A	N/A	N/A	444	N/A	N/A	N/A	N/A	554	460	N/A	N/A	N/A
		3	403	N/A	N/A	N/A	N/A	444	N/A	N/A	N/A	N/A	554	460	N/A	N/A	N/A
		4	403	N/A	N/A	N/A	N/A	444	N/A	N/A	N/A	N/A	554	460	N/A	N/A	N/A
		5	403	N/A	N/A	N/A	N/A	444	N/A	N/A	N/A	N/A	554	460	N/A	N/A	N/A
		6.5	403	N/A	N/A	N/A	N/A	444	N/A	N/A	N/A	N/A	554	460	N/A	N/A	N/A
	>30-45	1	583	484	409	N/A	N/A	645	535	451	N/A	N/A	808	668	562	480	415
		2	583	484	409	N/A	N/A	645	535	451	N/A	N/A	808	668	562	480	415
		3	583	484	409	N/A	N/A	645	535	451	N/A	N/A	808	668	562	480	415
		4	583	484	409	N/A	N/A	645	535	451	N/A	N/A	808	668	562	480	415
		5	583	484	409	N/A	N/A	645	535	451	N/A	N/A	808	668	562	480	415
		6.5	583	484	409	N/A	N/A	645	535	451	N/A	N/A	752	668	562	480	415
	>45-60	1	635	529	448	N/A	N/A	700	583	494	424	N/A	871	724	612	525	455
		2	635	529	448	N/A	N/A	700	583	494	424	N/A	871	724	612	525	455
		3	635	529	448	N/A	N/A	700	583	494	424	N/A	871	724	612	525	455
		4	635	529	448	N/A	N/A	700	583	494	424	N/A	871	724	612	525	455
		5	635	529	448	N/A	N/A	700	583	494	424	N/A	871	724	612	525	455
		6.5	635	529	448	N/A	N/A	700	583	494	424	N/A	871	724	612	525	455

Flat or Mono-pitch Roof

Table 7.A Big Foot Max. Spacing, Landscape Orientation

Roof Zone	Roof Pitch	Terrain Category	All terrain categories less than 5km from shoreline					All terrain categories more than 5km from shoreline; less than 5km inside town terrain (only III+IV)					Terrain Categories III+IV more than 10km from Shoreline; more than 5km inside town terrain				
		Wind Speed	22	24	26	28	30	22	24	26	28	30	22	24	26	28	30
		Snow Zone															
H	0-15	1	977	811	684	585	506	1082	896	755	645	558	1359	1121	942	803	693
		2	977	811	684	585	506	1082	896	755	645	558	1359	1121	942	803	693
		3	977	811	684	585	506	1082	896	755	645	558	1359	1121	942	803	693
		4	977	811	684	585	506	1082	896	755	645	558	1359	1121	942	803	693
		5	977	811	684	585	506	1082	896	755	645	558	1359	1121	942	803	693
		6.5	977	811	684	585	506	1082	896	755	645	558	1359	1121	942	803	693
	>15-30	1	866	720	608	521	452	957	795	671	575	498	1196	991	835	713	617
		2	866	720	608	521	452	957	795	671	575	498	1196	991	835	713	617
		3	866	720	608	521	452	957	795	671	575	498	1196	991	835	713	617
		4	866	720	608	521	452	957	795	671	575	498	1196	991	835	713	617
		5	866	720	608	521	452	957	795	671	575	498	1189	991	835	713	617
		6.5	866	720	608	521	452	957	795	671	575	498	1029	991	835	713	617
	>30-45	1	855	713	603	517	449	944	786	665	570	494	1176	977	825	706	612
		2	855	713	603	517	449	944	786	665	570	494	1176	977	825	706	612
		3	855	713	603	517	449	944	786	665	570	494	1176	977	825	706	612
		4	855	713	603	517	449	944	786	665	570	494	1176	977	825	706	612
		5	855	713	603	517	449	944	786	665	570	494	1176	977	825	706	612
		6.5	855	713	603	517	449	944	786	665	570	494	1037	977	825	706	612
	>45-60	1	892	743	629	539	468	985	820	693	594	515	1228	1019	860	736	638
		2	892	743	629	539	468	985	820	693	594	515	1228	1019	860	736	638
		3	892	743	629	539	468	985	820	693	594	515	1228	1019	860	736	638
		4	892	743	629	539	468	985	820	693	594	515	1228	1019	860	736	638
		5	892	743	629	539	468	985	820	693	594	515	1228	1019	860	736	638
		6.5	892	743	629	539	468	985	820	693	594	515	1228	1019	860	736	638
F _{up}	0-15	1	N/A	N/A	N/A	N/A	N/A	N/A	N/A	N/A	N/A	N/A	437	N/A	N/A	N/A	N/A
		2	N/A	N/A	N/A	N/A	N/A	N/A	N/A	N/A	N/A	N/A	437	N/A	N/A	N/A	N/A
		3	N/A	N/A	N/A	N/A	N/A	N/A	N/A	N/A	N/A	N/A	437	N/A	N/A	N/A	N/A
		4	N/A	N/A	N/A	N/A	N/A	N/A	N/A	N/A	N/A	N/A	437	N/A	N/A	N/A	N/A
		5	N/A	N/A	N/A	N/A	N/A	N/A	N/A	N/A	N/A	N/A	437	N/A	N/A	N/A	N/A
		6.5	N/A	N/A	N/A	N/A	N/A	N/A	N/A	N/A	N/A	N/A	437	N/A	N/A	N/A	N/A
	>15-30	1	N/A	N/A	N/A	N/A	N/A	N/A	N/A	N/A	N/A	N/A	448	N/A	N/A	N/A	N/A
		2	N/A	N/A	N/A	N/A	N/A	N/A	N/A	N/A	N/A	N/A	448	N/A	N/A	N/A	N/A
		3	N/A	N/A	N/A	N/A	N/A	N/A	N/A	N/A	N/A	N/A	448	N/A	N/A	N/A	N/A
		4	N/A	N/A	N/A	N/A	N/A	N/A	N/A	N/A	N/A	N/A	448	N/A	N/A	N/A	N/A
		5	N/A	N/A	N/A	N/A	N/A	N/A	N/A	N/A	N/A	N/A	448	N/A	N/A	N/A	N/A
		6.5	N/A	N/A	N/A	N/A	N/A	N/A	N/A	N/A	N/A	N/A	448	N/A	N/A	N/A	N/A
	>30-45	1	499	417	N/A	N/A	N/A	551	459	N/A	N/A	N/A	683	569	482	413	N/A
		2	499	417	N/A	N/A	N/A	551	459	N/A	N/A	N/A	683	569	482	413	N/A
		3	499	417	N/A	N/A	N/A	551	459	N/A	N/A	N/A	683	569	482	413	N/A
		4	499	417	N/A	N/A	N/A	551	459	N/A	N/A	N/A	683	569	482	413	N/A
		5	499	417	N/A	N/A	N/A	551	459	N/A	N/A	N/A	683	569	482	413	N/A
		6.5	499	417	N/A	N/A	N/A	551	459	N/A	N/A	N/A	683	569	482	413	N/A
	>45-60	1	568	474	402	N/A	N/A	626	522	443	N/A	N/A	776	647	548	470	408
		2	568	474	402	N/A	N/A	626	522	443	N/A	N/A	776	647	548	470	408
		3	568	474	402	N/A	N/A	626	522	443	N/A	N/A	776	647	548	470	408
		4	568	474	402	N/A	N/A	626	522	443	N/A	N/A	776	647	548	470	408
		5	568	474	402	N/A	N/A	626	522	443	N/A	N/A	776	647	548	470	408
		6.5	568	474	402	N/A	N/A	626	522	443	N/A	N/A	776	647	548	470	408

Flat or Mono-pitch Roof

Table 7.B Big Foot Max. Spacing, Landscape Orientation

Roof Zone	Roof Pitch	Terrain Category	All terrain categories less than 5km from shoreline					All terrain categories more than 5km from shoreline; less than 5km inside town terrain (only III+IV)					Terrain Categories III+IV more than 10km from Shoreline; more than 5km inside town terrain				
		Wind Speed	22	24	26	28	30	22	24	26	28	30	22	24	26	28	30
		Snow Zone															
F _{low}	0-15	1	421	N/A	N/A	N/A	N/A	464	N/A	N/A	N/A	N/A	576	480	406	N/A	N/A
		2	421	N/A	N/A	N/A	N/A	464	N/A	N/A	N/A	N/A	576	480	406	N/A	N/A
		3	421	N/A	N/A	N/A	N/A	464	N/A	N/A	N/A	N/A	576	480	406	N/A	N/A
		4	421	N/A	N/A	N/A	N/A	464	N/A	N/A	N/A	N/A	576	480	406	N/A	N/A
		5	421	N/A	N/A	N/A	N/A	464	N/A	N/A	N/A	N/A	576	480	406	N/A	N/A
		6.5	421	N/A	N/A	N/A	N/A	464	N/A	N/A	N/A	N/A	576	480	406	N/A	N/A
	>15-30	1	537	448	N/A	N/A	N/A	593	494	418	N/A	N/A	737	613	518	444	N/A
		2	537	448	N/A	N/A	N/A	593	494	418	N/A	N/A	737	613	518	444	N/A
		3	537	448	N/A	N/A	N/A	593	494	418	N/A	N/A	737	613	518	444	N/A
		4	537	448	N/A	N/A	N/A	593	494	418	N/A	N/A	737	613	518	444	N/A
		5	537	448	N/A	N/A	N/A	593	494	418	N/A	N/A	737	613	518	444	N/A
		6.5	537	448	N/A	N/A	N/A	593	494	418	N/A	N/A	737	613	518	444	N/A
	>30-45	1	650	543	460	N/A	N/A	717	598	506	435	N/A	890	741	627	538	466
		2	650	543	460	N/A	N/A	717	598	506	435	N/A	890	741	627	538	466
		3	650	543	460	N/A	N/A	717	598	506	435	N/A	890	741	627	538	466
		4	650	543	460	N/A	N/A	717	598	506	435	N/A	890	741	627	538	466
		5	650	543	460	N/A	N/A	717	598	506	435	N/A	890	741	627	538	466
		6.5	650	543	460	N/A	N/A	717	598	506	435	N/A	890	741	627	538	466
	>45-60	1	653	545	462	N/A	N/A	720	601	509	437	N/A	894	744	630	540	469
		2	653	545	462	N/A	N/A	720	601	509	437	N/A	894	744	630	540	469
		3	653	545	462	N/A	N/A	720	601	509	437	N/A	894	744	630	540	469
		4	653	545	462	N/A	N/A	720	601	509	437	N/A	894	744	630	540	469
		5	653	545	462	N/A	N/A	720	601	509	437	N/A	894	744	630	540	469
		6.5	653	545	462	N/A	N/A	720	601	509	437	N/A	894	744	630	540	469
G@0	0-15	1	611	509	431	N/A	N/A	675	562	475	407	N/A	841	698	589	505	437
		2	611	509	431	N/A	N/A	675	562	475	407	N/A	841	698	589	505	437
		3	611	509	431	N/A	N/A	675	562	475	407	N/A	841	698	589	505	437
		4	611	509	431	N/A	N/A	675	562	475	407	N/A	841	698	589	505	437
		5	611	509	431	N/A	N/A	675	562	475	407	N/A	841	698	589	505	437
		6.5	611	509	431	N/A	N/A	675	562	475	407	N/A	841	698	589	505	437
	>15-30	1	1142	945	796	680	588	1266	1046	880	751	649	1595	1312	1100	936	807
		2	1142	945	796	680	588	1266	1046	880	751	649	1595	1312	1100	936	807
		3	1142	945	796	680	588	1266	1046	880	751	649	1500	1312	1100	936	807
		4	1142	945	796	680	588	1266	1046	880	751	649	1326	1312	1100	936	807
		5	1142	945	796	680	588	1189	1046	880	751	649	1189	1189	1100	936	807
		6.5	1029	945	796	680	588	1029	1029	880	751	649	1029	1029	1029	936	807
	>30-45	1	1337	1159	1013	892	790	1440	1252	1097	967	858	1689	1477	1300	1151	1025
		2	1303	1134	994	876	778	1401	1222	1074	949	844	1635	1436	1268	1126	1005
		3	1271	1109	975	862	766	1364	1194	1052	932	830	1507	1397	1237	1102	986
		4	1240	1086	957	848	755	1329	1167	1031	915	817	1334	1334	1208	1079	967
		5	1197	1063	939	834	744	1197	1141	1010	899	804	1197	1197	1181	1056	949
		6.5	1037	1031	914	814	728	1037	1037	981	876	786	1037	1037	1037	1025	923
	>45-60	1	1465	1255	1085	947	833	1591	1364	1182	1032	909	1800	1636	1421	1245	1099
		2	1452	1245	1078	942	829	1575	1353	1173	1026	904	1800	1619	1409	1236	1091
		3	1439	1236	1071	936	825	1560	1342	1165	1019	899	1800	1603	1397	1226	1084
		4	1427	1226	1064	931	821	1545	1331	1156	1013	894	1800	1588	1385	1217	1077
		5	1414	1217	1057	926	816	1531	1320	1148	1007	889	1706	1572	1373	1208	1070
		6.5	1396	1204	1047	918	810	1509	1304	1136	997	882	1523	1523	1356	1195	1059

Flat or Mono-pitch Roof
Table 7.C Big Foot Max. Spacing, Landscape Orientation

Roof Zone	Roof Pitch	Terrain Category	All terrain categories less than 5km from shoreline					All terrain categories more than 5km from shoreline; less than 5km inside town terrain (only III+IV)					Terrain Categories III+IV more than 10km from Shoreline; more than 5km inside town terrain				
		Wind Speed	22	24	26	28	30	22	24	26	28	30	22	24	26	28	30
		Snow Zone															
G@90	0-15	1	611	509	431	N/A	N/A	675	562	475	407	N/A	841	698	589	505	437
		2	611	509	431	N/A	N/A	675	562	475	407	N/A	841	698	589	505	437
		3	611	509	431	N/A	N/A	675	562	475	407	N/A	841	698	589	505	437
		4	611	509	431	N/A	N/A	675	562	475	407	N/A	841	698	589	505	437
		5	611	509	431	N/A	N/A	675	562	475	407	N/A	841	698	589	505	437
		6.5	611	509	431	N/A	N/A	675	562	475	407	N/A	841	698	589	505	437
	>15-30	1	714	594	503	431	N/A	788	656	554	475	412	982	815	688	589	510
		2	714	594	503	431	N/A	788	656	554	475	412	982	815	688	589	510
		3	714	594	503	431	N/A	788	656	554	475	412	982	815	688	589	510
		4	714	594	503	431	N/A	788	656	554	475	412	982	815	688	589	510
		5	714	594	503	431	N/A	788	656	554	475	412	982	815	688	589	510
		6.5	714	594	503	431	N/A	788	656	554	475	412	982	815	688	589	510
	>30-45	1	707	589	499	429	N/A	779	650	550	472	410	968	806	682	584	506
		2	707	589	499	429	N/A	779	650	550	472	410	968	806	682	584	506
		3	707	589	499	429	N/A	779	650	550	472	410	968	806	682	584	506
		4	707	589	499	429	N/A	779	650	550	472	410	968	806	682	584	506
		5	707	589	499	429	N/A	779	650	550	472	410	968	806	682	584	506
		6.5	707	589	499	429	N/A	779	650	550	472	410	968	806	682	584	506
	>45-60	1	698	583	495	425	N/A	768	642	545	468	407	952	794	673	578	502
		2	698	583	495	425	N/A	768	642	545	468	407	952	794	673	578	502
		3	698	583	495	425	N/A	768	642	545	468	407	952	794	673	578	502
		4	698	583	495	425	N/A	768	642	545	468	407	952	794	673	578	502
		5	698	583	495	425	N/A	768	642	545	468	407	952	794	673	578	502
		6.5	698	583	495	425	N/A	768	642	545	468	407	952	794	673	578	502
G@180	0-15	1	611	509	431	N/A	N/A	675	562	475	407	N/A	841	698	589	505	437
		2	611	509	431	N/A	N/A	675	562	475	407	N/A	841	698	589	505	437
		3	611	509	431	N/A	N/A	675	562	475	407	N/A	841	698	589	505	437
		4	611	509	431	N/A	N/A	675	562	475	407	N/A	841	698	589	505	437
		5	611	509	431	N/A	N/A	675	562	475	407	N/A	841	698	589	505	437
		6.5	611	509	431	N/A	N/A	675	562	475	407	N/A	841	698	589	505	437
	>15-30	1	866	720	608	521	452	957	795	671	575	498	1196	991	835	713	617
		2	866	720	608	521	452	957	795	671	575	498	1196	991	835	713	617
		3	866	720	608	521	452	957	795	671	575	498	1196	991	835	713	617
		4	866	720	608	521	452	957	795	671	575	498	1196	991	835	713	617
		5	866	720	608	521	452	957	795	671	575	498	1189	991	835	713	617
		6.5	866	720	608	521	452	957	795	671	575	498	1029	991	835	713	617
	>30-45	1	878	730	617	528	458	970	806	680	582	504	1213	1004	846	723	625
		2	878	730	617	528	458	970	806	680	582	504	1213	1004	846	723	625
		3	878	730	617	528	458	970	806	680	582	504	1213	1004	846	723	625
		4	878	730	617	528	458	970	806	680	582	504	1213	1004	846	723	625
		5	878	730	617	528	458	970	806	680	582	504	1197	1004	846	723	625
		6.5	878	730	617	528	458	970	806	680	582	504	1037	1004	846	723	625
	>45-60	1	1092	908	767	657	570	1207	1003	847	725	628	1509	1250	1053	900	778
		2	1092	908	767	657	570	1207	1003	847	725	628	1509	1250	1053	900	778
		3	1092	908	767	657	570	1207	1003	847	725	628	1509	1250	1053	900	778
		4	1092	908	767	657	570	1207	1003	847	725	628	1509	1250	1053	900	778
		5	1092	908	767	657	570	1207	1003	847	725	628	1509	1250	1053	900	778
		6.5	1092	908	767	657	570	1207	1003	847	725	628	1509	1250	1053	900	778

Duo-Pitch Roof

Table 7.D Big Foot Max. Spacing, Landscape Orientation

Roof Zone	Roof Pitch	Terrain Category	All terrain categories less than 5km from shoreline					All terrain categories more than 5km from shoreline; less than 5km inside town terrain (only III+IV)					Terrain Categories III+IV more than 10km from Shoreline; more than 5km inside town terrain				
		Wind Speed	22	24	26	28	30	22	24	26	28	30	22	24	26	28	30
		Snow Zone															
H	5-15	1	1530	1259	1056	900	776	1702	1398	1170	995	858	1800	1766	1472	1247	1072
		2	1530	1259	1056	900	776	1702	1398	1170	995	858	1800	1766	1472	1247	1072
		3	1530	1259	1056	900	776	1702	1398	1170	995	858	1800	1766	1472	1247	1072
		4	1530	1259	1056	900	776	1702	1398	1170	995	858	1800	1766	1472	1247	1072
		6.5	1530	1259	1056	900	776	1554	1398	1170	995	858	1592	1561	1472	1247	1072
	>15-30	1	1260	1101	968	857	762	1351	1185	1044	926	825	1505	1384	1227	1094	979
		2	1213	1065	940	835	745	1257	1143	1012	900	805	1257	1257	1183	1058	950
		3	1080	1031	914	814	728	1080	1080	981	876	785	1080	1080	1080	1024	923
		4	946	946	889	794	712	946	946	946	853	767	946	946	946	946	898
		6.5	842	842	842	775	697	842	842	842	831	749	842	842	842	842	842
	>30-45	1	1271	1110	975	862	762	1365	1195	1052	932	830	1511	1398	1238	1102	986
		2	1226	1075	948	841	750	1265	1154	1021	907	811	1265	1265	1195	1068	958
		3	1088	1042	923	821	734	1088	1088	991	884	792	1088	1088	1088	1036	932
		4	954	954	898	802	718	954	954	954	862	774	954	954	954	954	908
		6.5	849	849	849	783	704	849	849	849	841	757	849	849	849	849	849
	>45-60	1	1223	1019	862	740	641	1350	1124	950	815	706	1682	1397	1179	1010	874
		2	1223	1019	862	740	641	1350	1124	950	815	706	1682	1397	1179	1010	874
		3	1223	1019	862	740	641	1350	1124	950	815	706	1582	1397	1179	1010	874
		4	1223	1019	862	740	641	1350	1124	950	815	706	1424	1397	1179	1010	874
		6.5	1138	1019	862	740	641	1138	1124	950	815	706	1138	1138	1138	1010	874
F	5-15	1	421	N/A	N/A	N/A	N/A	464	N/A	N/A	N/A	N/A	575	480	406	N/A	N/A
		2	421	N/A	N/A	N/A	N/A	464	N/A	N/A	N/A	N/A	575	480	406	N/A	N/A
		3	421	N/A	N/A	N/A	N/A	464	N/A	N/A	N/A	N/A	575	480	406	N/A	N/A
		4	421	N/A	N/A	N/A	N/A	464	N/A	N/A	N/A	N/A	575	480	406	N/A	N/A
		6.5	421	N/A	N/A	N/A	N/A	464	N/A	N/A	N/A	N/A	575	480	406	N/A	N/A
	>15-30	1	540	450	N/A	N/A	N/A	595	496	420	N/A	N/A	740	616	521	446	N/A
		2	540	450	N/A	N/A	N/A	595	496	420	N/A	N/A	740	616	521	446	N/A
		3	540	450	N/A	N/A	N/A	595	496	420	N/A	N/A	740	616	521	446	N/A
		4	540	450	N/A	N/A	N/A	595	496	420	N/A	N/A	740	616	521	446	N/A
		6.5	540	450	N/A	N/A	N/A	595	496	420	N/A	N/A	740	616	521	446	N/A
	>30-45	1	707	589	499	429	N/A	779	650	550	472	410	968	806	682	584	506
		2	707	589	499	429	N/A	779	650	550	472	410	968	806	682	584	506
		3	707	589	499	429	N/A	779	650	550	472	410	968	806	682	584	506
		4	707	589	499	429	N/A	779	650	550	472	410	954	806	682	584	506
		6.5	707	589	499	429	N/A	779	650	550	472	410	849	806	682	584	506
	>45-60	1	698	583	495	425	N/A	768	642	545	468	407	952	794	673	578	502
		2	698	583	495	425	N/A	768	642	545	468	407	952	794	673	578	502
		3	698	583	495	425	N/A	768	642	545	468	407	952	794	673	578	502
		4	698	583	495	425	N/A	768	642	545	468	407	952	794	673	578	502
		6.5	698	583	495	425	N/A	768	642	545	468	407	952	794	673	578	502

Duo-Pitch Roof

Table 7.E Big Foot Max. Spacing, Landscape Orientation

Roof Zone	Roof Pitch	Terrain Category	All terrain categories less than 5km from shoreline					All terrain categories more than 5km from shoreline; less than 5km inside town terrain (only III+IV)					Terrain Categories III+IV more than 10km from Shoreline; more than 5km inside town terrain				
		Wind Speed	22	24	26	28	30	22	24	26	28	30	22	24	26	28	30
		Snow Zone															
G _{verge}	5-15	1	567	473	401	N/A	N/A	626	522	441	N/A	N/A	779	648	547	469	406
		2	567	473	401	N/A	N/A	626	522	441	N/A	N/A	779	648	547	469	406
		3	567	473	401	N/A	N/A	626	522	441	N/A	N/A	779	648	547	469	406
		4	567	473	401	N/A	N/A	626	522	441	N/A	N/A	779	648	547	469	406
		5	567	473	401	N/A	N/A	626	522	441	N/A	N/A	779	648	547	469	406
		6.5	567	473	401	N/A	N/A	626	522	441	N/A	N/A	779	648	547	469	406
	>15-30	1	578	482	408	N/A	N/A	638	531	450	N/A	N/A	794	660	558	478	414
		2	578	482	408	N/A	N/A	638	531	450	N/A	N/A	794	660	558	478	414
		3	578	482	408	N/A	N/A	638	531	450	N/A	N/A	794	660	558	478	414
		4	578	482	408	N/A	N/A	638	531	450	N/A	N/A	794	660	558	478	414
		5	578	482	408	N/A	N/A	638	531	450	N/A	N/A	794	660	558	478	414
		6.5	578	482	408	N/A	N/A	638	531	450	N/A	N/A	723	660	558	478	414
	>30-45	1	707	589	499	429	N/A	779	650	550	472	410	968	806	682	584	506
		2	707	589	499	429	N/A	779	650	550	472	410	968	806	682	584	506
		3	707	589	499	429	N/A	779	650	550	472	410	968	806	682	584	506
		4	707	589	499	429	N/A	779	650	550	472	410	954	806	682	584	506
		5	707	589	499	429	N/A	779	650	550	472	410	849	806	682	584	506
		6.5	707	589	499	429	N/A	730	650	550	472	410	730	730	682	584	506
	>45-60	1	698	583	495	425	N/A	768	642	545	468	407	952	794	673	578	502
		2	698	583	495	425	N/A	768	642	545	468	407	952	794	673	578	502
		3	698	583	495	425	N/A	768	642	545	468	407	952	794	673	578	502
		4	698	583	495	425	N/A	768	642	545	468	407	952	794	673	578	502
		5	698	583	495	425	N/A	768	642	545	468	407	952	794	673	578	502
		6.5	698	583	495	425	N/A	768	642	545	468	407	952	794	673	578	502
G _{eave}	5-15	1	719	598	506	433	N/A	795	661	558	478	414	993	823	694	593	513
		2	719	598	506	433	N/A	795	661	558	478	414	993	823	694	593	513
		3	719	598	506	433	N/A	795	661	558	478	414	993	823	694	593	513
		4	719	598	506	433	N/A	795	661	558	478	414	993	823	694	593	513
		5	719	598	506	433	N/A	795	661	558	478	414	993	823	694	593	513
		6.5	719	598	506	433	N/A	795	661	558	478	414	993	823	694	593	513
	>15-30	1	1142	945	796	680	588	1266	1046	880	751	649	1505	1312	1100	936	807
		2	1142	945	796	680	588	1257	1046	880	751	649	1257	1257	1100	936	807
		3	1080	945	796	680	588	1080	1046	880	751	649	1080	1080	1080	936	807
		4	946	945	796	680	588	946	946	880	751	649	946	946	946	936	807
		5	842	842	796	680	588	842	842	842	751	649	842	842	842	842	807
		6.5	723	723	723	680	588	723	723	723	723	649	723	723	723	723	723
	>30-45	1	1271	1110	975	862	767	1365	1195	1052	932	830	1511	1398	1238	1102	986
		2	1226	1075	948	841	750	1265	1154	1021	907	811	1265	1265	1195	1068	958
		3	1088	1042	923	821	734	1088	1088	991	884	792	1088	1088	1088	1036	932
		4	954	954	898	802	718	954	954	954	862	774	954	954	954	954	908
		5	849	849	849	783	704	849	849	849	841	757	849	849	849	849	849
		6.5	730	730	730	730	683	730	730	730	730	730	730	730	730	730	730
	>45-60	1	1440	1236	1071	936	825	1560	1342	1165	1020	899	1800	1604	1397	1227	1084
		2	1421	1222	1061	928	819	1538	1326	1153	1010	892	1781	1580	1379	1213	1073
		3	1402	1208	1050	920	812	1517	1310	1140	1001	884	1582	1558	1362	1199	1063
		4	1384	1195	1040	913	806	1424	1294	1128	991	877	1424	1424	1345	1186	1053
		5	1294	1182	1030	905	800	1294	1279	1117	982	870	1294	1294	1294	1173	1042
		6.5	1138	1138	1016	894	792	1138	1138	1100	969	860	1138	1138	1138	1138	1028

Duo-Pitch Roof

Table 7.F Big Foot Max. Spacing, Landscape Orientation

Roof Zone	Roof Pitch	Terrain Category	All terrain categories less than 5km from shoreline					All terrain categories more than 5km from shoreline; less than 5km inside town terrain (only III+IV)					Terrain Categories III+IV more than 10km from Shoreline; more than 5km inside town terrain				
		Wind Speed	22	24	26	28	30	22	24	26	28	30	22	24	26	28	30
		Snow Zone															
J	5-15	1	660	549	465	N/A	N/A	728	606	512	439	N/A	908	754	636	544	471
		2	660	549	465	N/A	N/A	728	606	512	439	N/A	908	754	636	544	471
		3	660	549	465	N/A	N/A	728	606	512	439	N/A	908	754	636	544	471
		4	660	549	465	N/A	N/A	728	606	512	439	N/A	908	754	636	544	471
		5	660	549	465	N/A	N/A	728	606	512	439	N/A	908	754	636	544	471
		6.5	660	549	465	N/A	N/A	728	606	512	439	N/A	908	754	636	544	471
	>15-30	1	674	561	475	407	N/A	744	619	523	449	N/A	928	770	650	556	482
		2	674	561	475	407	N/A	744	619	523	449	N/A	928	770	650	556	482
		3	674	561	475	407	N/A	744	619	523	449	N/A	928	770	650	556	482
		4	674	561	475	407	N/A	744	619	523	449	N/A	928	770	650	556	482
		5	674	561	475	407	N/A	744	619	523	449	N/A	842	770	650	556	482
		6.5	674	561	475	407	N/A	723	619	523	449	N/A	723	723	650	556	482
	>30-45	1	976	811	684	586	507	1080	896	755	646	559	1352	1118	941	803	694
		2	976	811	684	586	507	1080	896	755	646	559	1265	1118	941	803	694
		3	976	811	684	586	507	1080	896	755	646	559	1088	1088	941	803	694
		4	954	811	684	586	507	954	896	755	646	559	954	954	941	803	694
		5	849	811	684	586	507	849	849	755	646	559	849	849	849	803	694
		6.5	730	730	684	586	507	730	730	730	646	559	730	730	730	730	694
	>45-60	1	1063	886	751	644	559	1172	977	827	710	616	1458	1213	1025	878	761
		2	1063	886	751	644	559	1172	977	827	710	616	1458	1213	1025	878	761
		3	1063	886	751	644	559	1172	977	827	710	616	1458	1213	1025	878	761
		4	1063	886	751	644	559	1172	977	827	710	616	1424	1213	1025	878	761
		5	1063	886	751	644	559	1172	977	827	710	616	1294	1213	1025	878	761
		6.5	1063	886	751	644	559	1138	977	827	710	616	1138	1138	1025	878	761

Flat or Mono-pitch Roof

Table 8.A Big Foot Max. Spacing, Portrait Orientation

Roof Zone	Roof Pitch	Terrain Category	All terrain categories less than 5km from shoreline					All terrain categories more than 5km from shoreline; less than 5km inside town terrain (only III+IV)					Terrain Categories III+IV more than 10km from Shoreline; more than 5km inside town terrain				
			Wind Speed	22	24	26	28	30	22	24	26	28	30	22	24	26	28
		Snow Zone															
H	0-15	1	1644	1364	1150	984	851	1800	1507	1270	1085	939	1800	1800	1584	1351	1167
		2	1644	1364	1150	984	851	1800	1507	1270	1085	939	1800	1800	1584	1351	1167
		3	1644	1364	1150	984	851	1800	1507	1270	1085	939	1800	1800	1584	1351	1167
		4	1644	1364	1150	984	851	1800	1507	1270	1085	939	1800	1800	1584	1351	1167
		5	1644	1364	1150	984	851	1800	1507	1270	1085	939	1800	1800	1584	1351	1167
		6.5	1644	1364	1150	984	851	1800	1507	1270	1085	939	1800	1800	1584	1351	1167
	>15-30	1	1456	1211	1023	877	760	1610	1337	1129	967	837	1800	1666	1404	1200	1038
		2	1456	1211	1023	877	760	1610	1337	1129	967	837	1800	1666	1404	1200	1038
		3	1456	1211	1023	877	760	1610	1337	1129	967	837	1800	1666	1404	1200	1038
		4	1456	1211	1023	877	760	1610	1337	1129	967	837	1800	1666	1404	1200	1038
		5	1456	1211	1023	877	760	1610	1337	1129	967	837	1800	1666	1404	1200	1038
		6.5	1456	1211	1023	877	760	1610	1337	1129	967	837	1731	1666	1404	1200	1038
	>30-45	1	1439	1199	1015	870	755	1588	1322	1119	959	831	1800	1643	1388	1188	1029
		2	1439	1199	1015	870	755	1588	1322	1119	959	831	1800	1643	1388	1188	1029
		3	1439	1199	1015	870	755	1588	1322	1119	959	831	1800	1643	1388	1188	1029
		4	1439	1199	1015	870	755	1588	1322	1119	959	831	1800	1643	1388	1188	1029
		5	1439	1199	1015	870	755	1588	1322	1119	959	831	1800	1643	1388	1188	1029
		6.5	1439	1199	1015	870	755	1588	1322	1119	959	831	1744	1643	1388	1188	1029
	>45-60	1	1501	1250	1058	907	787	1657	1379	1166	1000	867	1800	1714	1447	1239	1073
		2	1501	1250	1058	907	787	1657	1379	1166	1000	867	1800	1714	1447	1239	1073
		3	1501	1250	1058	907	787	1657	1379	1166	1000	867	1800	1714	1447	1239	1073
		4	1501	1250	1058	907	787	1657	1379	1166	1000	867	1800	1714	1447	1239	1073
		5	1501	1250	1058	907	787	1657	1379	1166	1000	867	1800	1714	1447	1239	1073
		6.5	1501	1250	1058	907	787	1657	1379	1166	1000	867	1800	1714	1447	1239	1073
F _{up}	0-15	1	540	451	N/A	N/A	N/A	594	497	422	N/A	N/A	735	614	521	447	N/A
		2	540	451	N/A	N/A	N/A	594	497	422	N/A	N/A	735	614	521	447	N/A
		3	540	451	N/A	N/A	N/A	594	497	422	N/A	N/A	735	614	521	447	N/A
		4	540	451	N/A	N/A	N/A	594	497	422	N/A	N/A	735	614	521	447	N/A
		5	540	451	N/A	N/A	N/A	594	497	422	N/A	N/A	735	614	521	447	N/A
		6.5	540	451	N/A	N/A	N/A	594	497	422	N/A	N/A	735	614	521	447	N/A
	>15-30	1	553	462	N/A	N/A	N/A	608	509	432	N/A	N/A	753	629	533	458	N/A
		2	553	462	N/A	N/A	N/A	608	509	432	N/A	N/A	753	629	533	458	N/A
		3	553	462	N/A	N/A	N/A	608	509	432	N/A	N/A	753	629	533	458	N/A
		4	553	462	N/A	N/A	N/A	608	509	432	N/A	N/A	753	629	533	458	N/A
		5	553	462	N/A	N/A	N/A	608	509	432	N/A	N/A	753	629	533	458	N/A
		6.5	553	462	N/A	N/A	N/A	608	509	432	N/A	N/A	753	629	533	458	N/A
	>30-45	1	840	702	595	511	444	926	773	655	563	489	1149	958	811	696	603
		2	840	702	595	511	444	926	773	655	563	489	1149	958	811	696	603
		3	840	702	595	511	444	926	773	655	563	489	1149	958	811	696	603
		4	840	702	595	511	444	926	773	655	563	489	1149	958	811	696	603
		5	840	702	595	511	444	926	773	655	563	489	1149	958	811	696	603
		6.5	840	702	595	511	444	926	773	655	563	489	1149	958	811	696	603
	>45-60	1	955	798	677	582	505	1052	879	745	640	556	1305	1088	922	791	686
		2	955	798	677	582	505	1052	879	745	640	556	1305	1088	922	791	686
		3	955	798	677	582	505	1052	879	745	640	556	1305	1088	922	791	686
		4	955	798	677	582	505	1052	879	745	640	556	1305	1088	922	791	686
		5	955	798	677	582	505	1052	879	745	640	556	1305	1088	922	791	686
		6.5	955	798	677	582	505	1052	879	745	640	556	1305	1088	922	791	686

Flat or Mono-pitch Roof

Table 8.B Big Foot Max. Spacing, Portrait Orientation

Roof Zone	Roof Pitch	Terrain Category	All terrain categories less than 5km from shoreline					All terrain categories more than 5km from shoreline; less than 5km inside town terrain (only III+IV)					Terrain Categories III+IV more than 10km from Shoreline; more than 5km inside town terrain					
		Wind Speed	22	24	26	28	30	22	24	26	28	30	22	24	26	28	30	
		Snow Zone																
F _{low}	0-15	1	708	592	502	431	N/A	781	652	552	474	412	968	807	683	586	509	
		2	708	592	502	431	N/A	781	652	552	474	412	968	807	683	586	509	
		3	708	592	502	431	N/A	781	652	552	474	412	968	807	683	586	509	
		4	708	592	502	431	N/A	781	652	552	474	412	968	807	683	586	509	
		6.5	708	592	502	431	N/A	781	652	552	474	412	968	807	683	586	509	
	>15-30	1	904	754	639	548	476	997	831	704	604	524	1240	1031	872	747	648	
		2	904	754	639	548	476	997	831	704	604	524	1240	1031	872	747	648	
		3	904	754	639	548	476	997	831	704	604	524	1240	1031	872	747	648	
		4	904	754	639	548	476	997	831	704	604	524	1240	1031	872	747	648	
		6.5	904	754	639	548	476	997	831	704	604	524	1240	1031	872	747	648	
	>30-45	1	1093	913	774	665	577	1205	1006	852	732	635	1497	1247	1055	905	785	
		2	1093	913	774	665	577	1205	1006	852	732	635	1497	1247	1055	905	785	
		3	1093	913	774	665	577	1205	1006	852	732	635	1497	1247	1055	905	785	
		4	1093	913	774	665	577	1205	1006	852	732	635	1497	1247	1055	905	785	
		6.5	1093	913	774	665	577	1205	1006	852	732	635	1497	1247	1055	905	785	
	>45-60	1	1099	917	778	668	580	1211	1010	856	735	638	1503	1252	1060	909	788	
		2	1099	917	778	668	580	1211	1010	856	735	638	1503	1252	1060	909	788	
		3	1099	917	778	668	580	1211	1010	856	735	638	1503	1252	1060	909	788	
		4	1099	917	778	668	580	1211	1010	856	735	638	1503	1252	1060	909	788	
		6.5	1099	917	778	668	580	1211	1010	856	735	638	1503	1252	1060	909	788	
	G@0	0-15	1	1028	857	725	622	539	1135	945	799	685	594	1414	1174	992	849	735
			2	1028	857	725	622	539	1135	945	799	685	594	1414	1174	992	849	735
			3	1028	857	725	622	539	1135	945	799	685	594	1414	1174	992	849	735
			4	1028	857	725	622	539	1135	945	799	685	594	1414	1174	992	849	735
6.5			1028	857	725	622	539	1135	945	799	685	594	1414	1174	992	849	735	
>15-30		1	1800	1590	1339	1143	989	1800	1759	1480	1263	1091	1800	1800	1800	1575	1358	
		2	1800	1590	1339	1143	989	1800	1759	1480	1263	1091	1800	1800	1800	1575	1358	
		3	1800	1590	1339	1143	989	1800	1759	1480	1263	1091	1800	1800	1800	1575	1358	
		4	1800	1590	1339	1143	989	1800	1759	1480	1263	1091	1800	1800	1800	1575	1358	
		6.5	1731	1590	1339	1143	989	1731	1731	1480	1263	1091	1731	1731	1731	1575	1358	
>30-45		1	1800	1800	1704	1500	1329	1800	1800	1800	1626	1443	1800	1800	1800	1800	1724	
		2	1800	1800	1671	1474	1309	1800	1800	1800	1596	1419	1800	1800	1800	1800	1690	
		3	1800	1800	1640	1450	1289	1800	1800	1769	1567	1396	1800	1800	1800	1800	1658	
		4	1800	1800	1609	1426	1270	1800	1800	1734	1539	1374	1800	1800	1800	1800	1627	
		6.5	1800	1789	1580	1403	1252	1800	1800	1700	1513	1353	1800	1800	1800	1777	1597	
>45-60		1	1800	1800	1800	1593	1402	1800	1800	1800	1737	1529	1800	1800	1800	1800	1800	
		2	1800	1800	1800	1584	1395	1800	1800	1800	1726	1521	1800	1800	1800	1800	1800	
		3	1800	1800	1800	1575	1387	1800	1800	1800	1715	1512	1800	1800	1800	1800	1800	
		4	1800	1800	1790	1566	1380	1800	1800	1800	1704	1504	1800	1800	1800	1800	1800	
		6.5	1800	1800	1778	1557	1373	1800	1800	1800	1693	1496	1800	1800	1800	1800	1800	
			6.5	1800	1800	1761	1544	1363	1800	1800	1800	1678	1483	1800	1800	1800	1800	1782

Flat or Mono-pitch Roof

Table 8.C Big Foot Max. Spacing, Portrait Orientation

Roof Zone	Roof Pitch	Terrain Category	All terrain categories less than 5km from shoreline					All terrain categories more than 5km from shoreline; less than 5km inside town terrain (only III+IV)					Terrain Categories III+IV more than 10km from Shoreline; more than 5km inside town terrain				
		Wind Speed	22	24	26	28	30	22	24	26	28	30	22	24	26	28	30
		Snow Zone															
G@90	0-15	1	1028	857	725	622	539	1135	945	799	685	594	1414	1174	992	849	735
		2	1028	857	725	622	539	1135	945	799	685	594	1414	1174	992	849	735
		3	1028	857	725	622	539	1135	945	799	685	594	1414	1174	992	849	735
		4	1028	857	725	622	539	1135	945	799	685	594	1414	1174	992	849	735
		5	1028	857	725	622	539	1135	945	799	685	594	1414	1174	992	849	735
		6.5	1028	857	725	622	539	1135	945	799	685	594	1414	1174	992	849	735
	>15-30	1	1200	1000	846	726	630	1325	1103	933	800	693	1651	1371	1158	991	858
		2	1200	1000	846	726	630	1325	1103	933	800	693	1651	1371	1158	991	858
		3	1200	1000	846	726	630	1325	1103	933	800	693	1651	1371	1158	991	858
		4	1200	1000	846	726	630	1325	1103	933	800	693	1651	1371	1158	991	858
		5	1200	1000	846	726	630	1325	1103	933	800	693	1651	1371	1158	991	858
		6.5	1200	1000	846	726	630	1325	1103	933	800	693	1651	1371	1158	991	858
	>30-45	1	1189	992	840	721	626	1311	1093	926	794	689	1629	1356	1147	983	852
		2	1189	992	840	721	626	1311	1093	926	794	689	1629	1356	1147	983	852
		3	1189	992	840	721	626	1311	1093	926	794	689	1629	1356	1147	983	852
		4	1189	992	840	721	626	1311	1093	926	794	689	1629	1356	1147	983	852
		5	1189	992	840	721	626	1311	1093	926	794	689	1629	1356	1147	983	852
		6.5	1189	992	840	721	626	1311	1093	926	794	689	1629	1356	1147	983	852
	>45-60	1	1173	981	833	716	622	1292	1080	916	788	684	1601	1336	1133	972	844
		2	1173	981	833	716	622	1292	1080	916	788	684	1601	1336	1133	972	844
		3	1173	981	833	716	622	1292	1080	916	788	684	1601	1336	1133	972	844
		4	1173	981	833	716	622	1292	1080	916	788	684	1601	1336	1133	972	844
		5	1173	981	833	716	622	1292	1080	916	788	684	1601	1336	1133	972	844
		6.5	1173	981	833	716	622	1292	1080	916	788	684	1601	1336	1133	972	844
G@180	0-15	1	1028	857	725	622	539	1135	945	799	685	594	1414	1174	992	849	735
		2	1028	857	725	622	539	1135	945	799	685	594	1414	1174	992	849	735
		3	1028	857	725	622	539	1135	945	799	685	594	1414	1174	992	849	735
		4	1028	857	725	622	539	1135	945	799	685	594	1414	1174	992	849	735
		5	1028	857	725	622	539	1135	945	799	685	594	1414	1174	992	849	735
		6.5	1028	857	725	622	539	1135	945	799	685	594	1414	1174	992	849	735
	>15-30	1	1456	1211	1023	877	760	1610	1337	1129	967	837	1800	1666	1404	1200	1038
		2	1456	1211	1023	877	760	1610	1337	1129	967	837	1800	1666	1404	1200	1038
		3	1456	1211	1023	877	760	1610	1337	1129	967	837	1800	1666	1404	1200	1038
		4	1456	1211	1023	877	760	1610	1337	1129	967	837	1800	1666	1404	1200	1038
		5	1456	1211	1023	877	760	1610	1337	1129	967	837	1800	1666	1404	1200	1038
		6.5	1456	1211	1023	877	760	1610	1337	1129	967	837	1731	1666	1404	1200	1038
	>30-45	1	1476	1228	1037	889	770	1632	1355	1144	980	849	1800	1689	1423	1216	1052
		2	1476	1228	1037	889	770	1632	1355	1144	980	849	1800	1689	1423	1216	1052
		3	1476	1228	1037	889	770	1632	1355	1144	980	849	1800	1689	1423	1216	1052
		4	1476	1228	1037	889	770	1632	1355	1144	980	849	1800	1689	1423	1216	1052
		5	1476	1228	1037	889	770	1632	1355	1144	980	849	1800	1689	1423	1216	1052
		6.5	1476	1228	1037	889	770	1632	1355	1144	980	849	1744	1689	1423	1216	1052
	>45-60	1	1800	1528	1291	1106	958	1800	1687	1424	1219	1056	1800	1800	1771	1514	1309
		2	1800	1528	1291	1106	958	1800	1687	1424	1219	1056	1800	1800	1771	1514	1309
		3	1800	1528	1291	1106	958	1800	1687	1424	1219	1056	1800	1800	1771	1514	1309
		4	1800	1528	1291	1106	958	1800	1687	1424	1219	1056	1800	1800	1771	1514	1309
		5	1800	1528	1291	1106	958	1800	1687	1424	1219	1056	1800	1800	1771	1514	1309
		6.5	1800	1528	1291	1106	958	1800	1687	1424	1219	1056	1800	1800	1771	1514	1309

Duo-Pitch Roof

Table 8.D Big Foot Max. Spacing, Portrait Orientation

Roof Zone	Roof Pitch	Terrain Category	All terrain categories less than 5km from shoreline					All terrain categories more than 5km from shoreline; less than 5km inside town terrain (only III+IV)					Terrain Categories III+IV more than 10km from Shoreline; more than 5km inside town terrain				
			Wind Speed	22	24	26	28	30	22	24	26	28	30	22	24	26	28
		Snow Zone															
H	5-15	1	1800	1800	1777	1513	1305	1800	1800	1800	1674	1443	1800	1800	1800	1800	1800
		2	1800	1800	1777	1513	1305	1800	1800	1800	1674	1443	1800	1800	1800	1800	1800
		3	1800	1800	1777	1513	1305	1800	1800	1800	1674	1443	1800	1800	1800	1800	1800
		4	1800	1800	1777	1513	1305	1800	1800	1800	1674	1443	1800	1800	1800	1800	1800
		6.5	1800	1800	1777	1513	1305	1800	1800	1800	1674	1443	1800	1800	1800	1800	1800
	>15-30	1	1800	1800	1629	1441	1283	1800	1800	1757	1558	1389	1800	1800	1800	1800	1647
		2	1800	1791	1582	1404	1253	1800	1800	1702	1514	1354	1800	1800	1800	1780	1599
		3	1800	1734	1537	1369	1225	1800	1800	1650	1473	1321	1800	1800	1800	1723	1553
		4	1591	1591	1495	1335	1198	1591	1591	1591	1435	1290	1591	1591	1591	1591	1510
		6.5	1416	1416	1416	1304	1172	1416	1416	1416	1398	1260	1416	1416	1416	1416	1416
	>30-45	1	1800	1800	1640	1450	1283	1800	1800	1770	1568	1397	1800	1800	1800	1800	1659
		2	1800	1800	1595	1415	1262	1800	1800	1717	1527	1364	1800	1800	1800	1796	1612
		3	1800	1753	1552	1381	1234	1800	1800	1668	1487	1332	1800	1800	1800	1742	1568
		4	1605	1605	1511	1348	1209	1605	1605	1605	1450	1302	1605	1605	1605	1605	1527
		6.5	1429	1429	1429	1318	1184	1429	1429	1429	1414	1273	1429	1429	1429	1429	1429
	>45-60	1	1800	1714	1451	1244	1079	1800	1800	1599	1371	1188	1800	1800	1800	1698	1471
		2	1800	1714	1451	1244	1079	1800	1800	1599	1371	1188	1800	1800	1800	1698	1471
		3	1800	1714	1451	1244	1079	1800	1800	1599	1371	1188	1800	1800	1800	1698	1471
		4	1800	1714	1451	1244	1079	1800	1800	1599	1371	1188	1800	1800	1800	1698	1471
		6.5	1800	1714	1451	1244	1079	1800	1800	1599	1371	1188	1800	1800	1800	1698	1471
	F	5-15	1	708	591	502	431	N/A	780	651	552	474	412	968	807	683	586
2			708	591	502	431	N/A	780	651	552	474	412	968	807	683	586	509
3			708	591	502	431	N/A	780	651	552	474	412	968	807	683	586	509
4			708	591	502	431	N/A	780	651	552	474	412	968	807	683	586	509
6.5			708	591	502	431	N/A	780	651	552	474	412	968	807	683	586	509
>15-30		1	908	757	642	551	478	1001	835	707	606	526	1245	1036	876	751	651
		2	908	757	642	551	478	1001	835	707	606	526	1245	1036	876	751	651
		3	908	757	642	551	478	1001	835	707	606	526	1245	1036	876	751	651
		4	908	757	642	551	478	1001	835	707	606	526	1245	1036	876	751	651
		6.5	908	757	642	551	478	1001	835	707	606	526	1215	1036	876	751	651
>30-45		1	1189	992	840	721	626	1311	1093	926	794	689	1629	1356	1147	983	852
		2	1189	992	840	721	626	1311	1093	926	794	689	1629	1356	1147	983	852
		3	1189	992	840	721	626	1311	1093	926	794	689	1629	1356	1147	983	852
		4	1189	992	840	721	626	1311	1093	926	794	689	1605	1356	1147	983	852
		6.5	1189	992	840	721	626	1227	1093	926	794	689	1227	1227	1147	983	852
>45-60		1	1173	981	833	716	622	1292	1080	916	788	684	1601	1336	1133	972	844
		2	1173	981	833	716	622	1292	1080	916	788	684	1601	1336	1133	972	844
		3	1173	981	833	716	622	1292	1080	916	788	684	1601	1336	1133	972	844
		4	1173	981	833	716	622	1292	1080	916	788	684	1601	1336	1133	972	844
		6.5	1173	981	833	716	622	1292	1080	916	788	684	1601	1336	1133	972	844

Duo-Pitch Roof

Table 8.E Big Foot Max. Spacing, Portrait Orientation

Roof Zone	Roof Pitch	Terrain Category	All terrain categories less than 5km from shoreline					All terrain categories more than 5km from shoreline; less than 5km inside town terrain (only III+IV)					Terrain Categories III+IV more than 10km from Shoreline; more than 5km inside town terrain					
		Wind Speed	22	24	26	28	30	22	24	26	28	30	22	24	26	28	30	
		Snow Zone																
G _{verge}	5-15	1	955	796	674	578	502	1053	878	743	637	553	1310	1090	921	789	684	
		2	955	796	674	578	502	1053	878	743	637	553	1310	1090	921	789	684	
		3	955	796	674	578	502	1053	878	743	637	553	1310	1090	921	789	684	
		4	955	796	674	578	502	1053	878	743	637	553	1310	1090	921	789	684	
		6.5	955	796	674	578	502	1053	878	743	637	553	1310	1090	921	789	684	
	>15-30	1	973	811	687	589	511	1073	894	757	649	563	1335	1110	938	804	696	
		2	973	811	687	589	511	1073	894	757	649	563	1335	1110	938	804	696	
		3	973	811	687	589	511	1073	894	757	649	563	1335	1110	938	804	696	
		4	973	811	687	589	511	1073	894	757	649	563	1335	1110	938	804	696	
		6.5	973	811	687	589	511	1073	894	757	649	563	1335	1110	938	804	696	
	>30-45	1	1189	992	840	721	626	1311	1093	926	794	689	1629	1356	1147	983	852	
		2	1189	992	840	721	626	1311	1093	926	794	689	1629	1356	1147	983	852	
		3	1189	992	840	721	626	1311	1093	926	794	689	1629	1356	1147	983	852	
		4	1189	992	840	721	626	1311	1093	926	794	689	1605	1356	1147	983	852	
		6.5	1189	992	840	721	626	1227	1093	926	794	689	1227	1227	1147	983	852	
	>45-60	1	1173	981	833	716	622	1292	1080	916	788	684	1601	1336	1133	972	844	
		2	1173	981	833	716	622	1292	1080	916	788	684	1601	1336	1133	972	844	
		3	1173	981	833	716	622	1292	1080	916	788	684	1601	1336	1133	972	844	
		4	1173	981	833	716	622	1292	1080	916	788	684	1601	1336	1133	972	844	
		6.5	1173	981	833	716	622	1292	1080	916	788	684	1601	1336	1133	972	844	
	G _{eave}	5-15	1	1210	1007	851	729	632	1337	1111	939	804	697	1670	1384	1167	998	863
			2	1210	1007	851	729	632	1337	1111	939	804	697	1670	1384	1167	998	863
			3	1210	1007	851	729	632	1337	1111	939	804	697	1670	1384	1167	998	863
			4	1210	1007	851	729	632	1337	1111	939	804	697	1670	1384	1167	998	863
6.5			1210	1007	851	729	632	1337	1111	939	804	697	1670	1384	1167	998	863	
>15-30		1	1800	1590	1339	1143	989	1800	1759	1480	1263	1091	1800	1800	1800	1575	1358	
		2	1800	1590	1339	1143	989	1800	1759	1480	1263	1091	1800	1800	1800	1575	1358	
		3	1800	1590	1339	1143	989	1800	1759	1480	1263	1091	1800	1800	1800	1575	1358	
		4	1591	1590	1339	1143	989	1591	1591	1480	1263	1091	1591	1591	1591	1575	1358	
		6.5	1416	1416	1339	1143	989	1416	1416	1416	1263	1091	1416	1416	1416	1416	1358	
>30-45		1	1800	1800	1640	1450	1290	1800	1800	1770	1568	1397	1800	1800	1800	1800	1659	
		2	1800	1800	1595	1415	1262	1800	1800	1717	1527	1364	1800	1800	1800	1796	1612	
		3	1800	1753	1552	1381	1234	1800	1800	1668	1487	1332	1800	1800	1800	1742	1568	
		4	1605	1605	1511	1348	1209	1605	1605	1605	1450	1302	1605	1605	1605	1605	1527	
		6.5	1429	1429	1429	1318	1184	1429	1429	1429	1414	1273	1429	1429	1429	1429	1429	
>45-60		1	1800	1800	1800	1575	1388	1800	1800	1800	1715	1512	1800	1800	1800	1800	1800	
		2	1800	1800	1784	1562	1377	1800	1800	1800	1699	1500	1800	1800	1800	1800	1800	
		3	1800	1800	1767	1548	1367	1800	1800	1800	1683	1488	1800	1800	1800	1800	1788	
		4	1800	1800	1750	1535	1356	1800	1800	1800	1668	1475	1800	1800	1800	1800	1771	
		6.5	1800	1800	1733	1522	1346	1800	1800	1800	1653	1464	1800	1800	1800	1800	1753	
			6.5	1800	1800	1709	1503	1332	1800	1800	1800	1630	1446	1800	1800	1800	1800	1728

Duo-Pitch Roof

Table 8.F Big Foot Max. Spacing, Portrait Orientation

Roof Zone	Roof Pitch	Terrain Category	All terrain categories less than 5km from shoreline					All terrain categories more than 5km from shoreline; less than 5km inside town terrain (only III+IV)					Terrain Categories III+IV more than 10km from Shoreline; more than 5km inside town terrain				
		Wind Speed	22	24	26	28	30	22	24	26	28	30	22	24	26	28	30
		Snow Zone															
J	5-15	1	1110	924	782	671	582	1225	1020	862	739	640	1528	1268	1070	916	793
		2	1110	924	782	671	582	1225	1020	862	739	640	1528	1268	1070	916	793
		3	1110	924	782	671	582	1225	1020	862	739	640	1528	1268	1070	916	793
		4	1110	924	782	671	582	1225	1020	862	739	640	1528	1268	1070	916	793
		5	1110	924	782	671	582	1225	1020	862	739	640	1528	1268	1070	916	793
	6.5	1110	924	782	671	582	1225	1020	862	739	640	1528	1268	1070	916	793	
	>15-30	1	1134	944	799	685	594	1252	1042	881	755	654	1562	1296	1094	936	810
		2	1134	944	799	685	594	1252	1042	881	755	654	1562	1296	1094	936	810
		3	1134	944	799	685	594	1252	1042	881	755	654	1562	1296	1094	936	810
		4	1134	944	799	685	594	1252	1042	881	755	654	1562	1296	1094	936	810
		5	1134	944	799	685	594	1252	1042	881	755	654	1416	1296	1094	936	810
	6.5	1134	944	799	685	594	1215	1042	881	755	654	1215	1215	1094	936	810	
	>30-45	1	1642	1364	1152	986	854	1800	1507	1271	1087	941	1800	1800	1583	1351	1168
		2	1642	1364	1152	986	854	1800	1507	1271	1087	941	1800	1800	1583	1351	1168
		3	1642	1364	1152	986	854	1800	1507	1271	1087	941	1800	1800	1583	1351	1168
		4	1605	1364	1152	986	854	1605	1507	1271	1087	941	1605	1605	1583	1351	1168
		5	1429	1364	1152	986	854	1429	1429	1271	1087	941	1429	1429	1429	1351	1168
	6.5	1227	1227	1152	986	854	1227	1227	1227	1087	941	1227	1227	1227	1227	1168	
	>45-60	1	1788	1491	1263	1084	941	1800	1644	1392	1194	1036	1800	1800	1725	1478	1281
		2	1788	1491	1263	1084	941	1800	1644	1392	1194	1036	1800	1800	1725	1478	1281
		3	1788	1491	1263	1084	941	1800	1644	1392	1194	1036	1800	1800	1725	1478	1281
		4	1788	1491	1263	1084	941	1800	1644	1392	1194	1036	1800	1800	1725	1478	1281
		5	1788	1491	1263	1084	941	1800	1644	1392	1194	1036	1800	1800	1725	1478	1281
	6.5	1788	1491	1263	1084	941	1800	1644	1392	1194	1036	1800	1800	1725	1478	1281	

Flat or Mono-pitch Roof

Table 9.A Leveling Foot Max. Spacing, Landscape Orientation, Quick Mount New Roof Comp

Roof Zone	Roof Pitch	Terrain Category	All terrain categories less than 5km					All terrain categories more than 5km					Terrain Categories III+IV more than				
		Wind Speed	22	24	26	28	30	22	24	26	28	30	22	24	26	28	30
		Snow Zone															
H	0-15	1	1800	1800	1764	1508	1306	1800	1800	1800	1664	1440	1800	1800	1800	1800	1789
		2	1800	1800	1764	1508	1306	1800	1800	1800	1664	1440	1800	1800	1800	1800	1789
		3	1800	1800	1764	1508	1306	1800	1800	1800	1664	1440	1800	1800	1800	1800	1789
		4	1800	1800	1764	1508	1306	1800	1800	1800	1664	1440	1800	1800	1800	1800	1789
		5	1800	1800	1764	1508	1306	1800	1800	1800	1664	1440	1800	1800	1800	1800	1789
		6.5	1800	1800	1764	1508	1306	1800	1800	1800	1664	1440	1800	1800	1800	1800	1789
	>15-30	1	1800	1800	1570	1345	1165	1800	1800	1731	1482	1284	1800	1800	1800	1800	1592
		2	1800	1800	1570	1345	1165	1800	1800	1731	1482	1284	1800	1800	1800	1800	1592
		3	1800	1800	1570	1345	1165	1800	1800	1731	1482	1284	1800	1800	1800	1800	1592
		4	1800	1800	1570	1345	1165	1800	1800	1731	1482	1284	1800	1800	1800	1800	1592
		5	1800	1800	1570	1345	1165	1800	1800	1731	1482	1284	1800	1800	1800	1800	1592
		6.5	1784	1784	1570	1345	1165	1784	1784	1731	1482	1284	1784	1784	1784	1784	1592
	>30-45	1	1800	1800	1556	1335	1158	1800	1800	1715	1470	1275	1800	1800	1800	1800	1578
		2	1800	1800	1556	1335	1158	1800	1800	1715	1470	1275	1800	1800	1800	1800	1578
		3	1800	1800	1556	1335	1158	1800	1800	1715	1470	1275	1800	1800	1800	1800	1578
		4	1800	1800	1556	1335	1158	1800	1800	1715	1470	1275	1800	1800	1800	1800	1578
		5	1800	1800	1556	1335	1158	1800	1800	1715	1470	1275	1800	1800	1800	1800	1578
		6.5	1798	1798	1556	1335	1158	1798	1798	1715	1470	1275	1798	1798	1798	1798	1578
	>45-60	1	1800	1800	1623	1392	1207	1800	1800	1788	1533	1329	1800	1800	1800	1800	1645
		2	1800	1800	1623	1392	1207	1800	1800	1788	1533	1329	1800	1800	1800	1800	1645
		3	1800	1800	1623	1392	1207	1800	1800	1788	1533	1329	1800	1800	1800	1800	1645
		4	1800	1800	1623	1392	1207	1800	1800	1788	1533	1329	1800	1800	1800	1800	1645
		5	1800	1800	1623	1392	1207	1800	1800	1788	1533	1329	1800	1800	1800	1800	1645
		6.5	1800	1800	1623	1392	1207	1800	1800	1788	1533	1329	1800	1800	1800	1800	1645
F _{up}	0-15	1	828	692	588	500	N/A	911	762	647	556	410	1128	942	799	686	596
		2	828	692	588	500	N/A	911	762	647	556	410	1128	942	799	686	596
		3	828	692	588	500	N/A	911	762	647	556	410	1128	942	799	686	596
		4	828	692	588	500	N/A	911	762	647	556	410	1128	942	799	686	596
		5	828	692	588	500	N/A	911	762	647	556	410	1128	942	799	686	596
		6.5	828	692	588	500	N/A	911	762	647	556	410	1128	942	799	686	596
	>15-30	1	847	709	602	518	N/A	933	780	662	569	460	1155	965	818	703	610
		2	847	709	602	518	N/A	933	780	662	569	460	1155	965	818	703	610
		3	847	709	602	518	N/A	933	780	662	569	460	1155	965	818	703	610
		4	847	709	602	518	N/A	933	780	662	569	460	1155	965	818	703	610
		5	847	709	602	518	N/A	933	780	662	569	460	1155	965	818	703	610
		6.5	847	709	602	518	N/A	933	780	662	569	460	1155	965	818	703	610
	>30-45	1	1289	1076	913	784	681	1420	1186	1005	863	749	1762	1469	1244	1067	926
		2	1289	1076	913	784	681	1420	1186	1005	863	749	1762	1469	1244	1067	926
		3	1289	1076	913	784	681	1420	1186	1005	863	749	1762	1469	1244	1067	926
		4	1289	1076	913	784	681	1420	1186	1005	863	749	1762	1469	1244	1067	926
		5	1289	1076	913	784	681	1420	1186	1005	863	749	1762	1469	1244	1067	926
		6.5	1289	1076	913	784	681	1420	1186	1005	863	749	1762	1469	1244	1067	926
	>45-60	1	1465	1224	1038	892	775	1614	1348	1143	982	853	1800	1669	1413	1213	1053
		2	1465	1224	1038	892	775	1614	1348	1143	982	853	1800	1669	1413	1213	1053
		3	1465	1224	1038	892	775	1614	1348	1143	982	853	1800	1669	1413	1213	1053
		4	1465	1224	1038	892	775	1614	1348	1143	982	853	1800	1669	1413	1213	1053
		5	1465	1224	1038	892	775	1614	1348	1143	982	853	1800	1669	1413	1213	1053
		6.5	1465	1224	1038	892	775	1614	1348	1143	982	853	1800	1669	1413	1213	1053

Flat or Mono-pitch Roof

Table 9.C Leveling Foot Max. Spacing, Landscape Orientation, Quick Mount New Roof Comp

Roof Zone	Roof Pitch	Terrain Category	All terrain categories less than 5km					All terrain categories more than 5km					Terrain Categories III+IV more than				
		Wind Speed	22	24	26	28	30	22	24	26	28	30	22	24	26	28	30
		Snow Zone															
G@90	0-15	1	1577	1314	1112	954	827	1741	1449	1226	1051	911	1800	1800	1521	1302	1128
		2	1577	1314	1112	954	827	1741	1449	1226	1051	911	1800	1800	1521	1302	1128
		3	1577	1314	1112	954	827	1741	1449	1226	1051	911	1800	1800	1521	1302	1128
		4	1577	1314	1112	954	827	1741	1449	1226	1051	911	1800	1800	1521	1302	1128
		5	1577	1314	1112	954	827	1741	1449	1226	1051	911	1800	1800	1521	1302	1128
		6.5	1577	1314	1112	954	827	1741	1449	1226	1051	911	1800	1800	1521	1302	1128
	>15-30	1	1800	1533	1298	1113	965	1800	1691	1430	1226	1063	1800	1800	1775	1520	1316
		2	1800	1533	1298	1113	965	1800	1691	1430	1226	1063	1800	1800	1775	1520	1316
		3	1800	1533	1298	1113	965	1800	1691	1430	1226	1063	1800	1800	1775	1520	1316
		4	1800	1533	1298	1113	965	1800	1691	1430	1226	1063	1800	1800	1775	1520	1316
		5	1800	1533	1298	1113	965	1800	1691	1430	1226	1063	1800	1800	1775	1520	1316
		6.5	1784	1533	1298	1113	965	1784	1691	1430	1226	1063	1784	1784	1775	1520	1316
	>30-45	1	1800	1521	1289	1106	960	1800	1676	1419	1218	1057	1800	1800	1758	1507	1307
		2	1800	1521	1289	1106	960	1800	1676	1419	1218	1057	1800	1800	1758	1507	1307
		3	1800	1521	1289	1106	960	1800	1676	1419	1218	1057	1800	1800	1758	1507	1307
		4	1800	1521	1289	1106	960	1800	1676	1419	1218	1057	1800	1800	1758	1507	1307
		5	1800	1521	1289	1106	960	1800	1676	1419	1218	1057	1800	1800	1758	1507	1307
		6.5	1798	1521	1289	1106	960	1798	1676	1419	1218	1057	1798	1798	1758	1507	1307
	>45-60	1	1799	1505	1277	1098	954	1800	1656	1405	1208	1049	1800	1800	1737	1491	1295
		2	1799	1505	1277	1098	954	1800	1656	1405	1208	1049	1800	1800	1737	1491	1295
		3	1799	1505	1277	1098	954	1800	1656	1405	1208	1049	1800	1800	1737	1491	1295
		4	1799	1505	1277	1098	954	1800	1656	1405	1208	1049	1800	1800	1737	1491	1295
		5	1799	1505	1277	1098	954	1800	1656	1405	1208	1049	1800	1800	1737	1491	1295
		6.5	1799	1505	1277	1098	954	1800	1656	1405	1208	1049	1800	1800	1737	1491	1295
G@180	0-15	1	1577	1314	1112	954	827	1741	1449	1226	1051	911	1800	1800	1521	1302	1128
		2	1577	1314	1112	954	827	1741	1449	1226	1051	911	1800	1800	1521	1302	1128
		3	1577	1314	1112	954	827	1741	1449	1226	1051	911	1800	1800	1521	1302	1128
		4	1577	1314	1112	954	827	1741	1449	1226	1051	911	1800	1800	1521	1302	1128
		5	1577	1314	1112	954	827	1741	1449	1226	1051	911	1800	1800	1521	1302	1128
		6.5	1577	1314	1112	954	827	1741	1449	1226	1051	911	1800	1800	1521	1302	1128
	>15-30	1	1800	1800	1570	1345	1165	1800	1800	1731	1482	1284	1800	1800	1800	1800	1592
		2	1800	1800	1570	1345	1165	1800	1800	1731	1482	1284	1800	1800	1800	1800	1592
		3	1800	1800	1570	1345	1165	1800	1800	1731	1482	1284	1800	1800	1800	1800	1592
		4	1800	1800	1570	1345	1165	1800	1800	1731	1482	1284	1800	1800	1800	1800	1592
		5	1800	1800	1570	1345	1165	1800	1800	1731	1482	1284	1800	1800	1800	1800	1592
		6.5	1784	1784	1570	1345	1165	1784	1784	1731	1482	1284	1784	1784	1784	1784	1592
	>30-45	1	1800	1800	1591	1363	1181	1800	1800	1755	1503	1301	1800	1800	1800	1800	1614
		2	1800	1800	1591	1363	1181	1800	1800	1755	1503	1301	1800	1800	1800	1800	1614
		3	1800	1800	1591	1363	1181	1800	1800	1755	1503	1301	1800	1800	1800	1800	1614
		4	1800	1800	1591	1363	1181	1800	1800	1755	1503	1301	1800	1800	1800	1800	1614
		5	1800	1800	1591	1363	1181	1800	1800	1755	1503	1301	1800	1800	1800	1800	1614
		6.5	1798	1798	1591	1363	1181	1798	1798	1755	1503	1301	1798	1798	1798	1798	1614
	>45-60	1	1800	1800	1800	1696	1470	1800	1800	1800	1800	1619	1800	1800	1800	1800	1800
		2	1800	1800	1800	1696	1470	1800	1800	1800	1800	1619	1800	1800	1800	1800	1800
		3	1800	1800	1800	1696	1470	1800	1800	1800	1800	1619	1800	1800	1800	1800	1800
		4	1800	1800	1800	1696	1470	1800	1800	1800	1800	1619	1800	1800	1800	1800	1800
		5	1800	1800	1800	1696	1470	1800	1800	1800	1800	1619	1800	1800	1800	1800	1800
		6.5	1800	1800	1800	1696	1470	1800	1800	1800	1800	1619	1800	1800	1800	1800	1800

Duo-Pitch Roof

Table 9.D Leveling Foot Max. Spacing, Landscape Orientation, Quick Mount New Roof Comp

Roof Zone	Roof Pitch	Terrain Category	All terrain categories less than 5km					All terrain categories more than 5km					Terrain Categories III+IV more than				
		Wind Speed	22	24	26	28	30	22	24	26	28	30	22	24	26	28	30
		Snow Zone															
H	5-15	1	1800	1800	1800	1800	1800	1800	1800	1800	1800	1800	1800	1800	1800	1800	1800
		2	1800	1800	1800	1800	1800	1800	1800	1800	1800	1800	1800	1800	1800	1800	1800
		3	1800	1800	1800	1800	1800	1800	1800	1800	1800	1800	1800	1800	1800	1800	1800
		4	1800	1800	1800	1800	1800	1800	1800	1800	1800	1800	1800	1800	1800	1800	1800
		5	1800	1800	1800	1800	1800	1800	1800	1800	1800	1800	1800	1800	1800	1800	1800
		6.5	1800	1800	1800	1800	1800	1800	1800	1800	1800	1800	1800	1800	1800	1800	1800
	>15-30	1	1800	1800	1800	1770	1680	1800	1800	1800	1800	1740	1800	1800	1800	1800	1800
		2	1800	1800	1800	1750	1660	1800	1800	1800	1800	1720	1800	1800	1800	1800	1800
		3	1800	1800	1800	1730	1640	1800	1800	1800	1790	1700	1800	1800	1800	1800	1800
		4	1641	1641	1641	1641	1620	1641	1641	1641	1641	1641	1641	1641	1641	1641	1641
		5	1460	1460	1460	1460	1460	1460	1460	1460	1460	1460	1460	1460	1460	1460	1460
		6.5	1253	1253	1253	1253	1253	1253	1253	1253	1253	1253	1253	1253	1253	1253	1253
	>30-45	1	1800	1800	1800	1780	1680	1800	1800	1800	1800	1750	1800	1800	1800	1800	1800
		2	1800	1800	1800	1760	1660	1800	1800	1800	1800	1730	1800	1800	1800	1800	1800
		3	1800	1800	1800	1740	1640	1800	1800	1800	1800	1710	1800	1800	1800	1800	1800
		4	1654	1654	1654	1654	1620	1654	1654	1654	1654	1654	1654	1654	1654	1654	1654
		5	1473	1473	1473	1473	1473	1473	1473	1473	1473	1473	1473	1473	1473	1473	1473
		6.5	1265	1265	1265	1265	1265	1265	1265	1265	1265	1265	1265	1265	1265	1265	1265
	>45-60	1	1800	1800	1800	1800	1655	1800	1800	1800	1800	1800	1800	1800	1800	1800	1800
		2	1800	1800	1800	1800	1655	1800	1800	1800	1800	1800	1800	1800	1800	1800	1800
		3	1800	1800	1800	1800	1655	1800	1800	1800	1800	1800	1800	1800	1800	1800	1800
		4	1800	1800	1800	1800	1655	1800	1800	1800	1800	1790	1800	1800	1800	1800	1800
		5	1800	1800	1800	1800	1655	1800	1800	1800	1800	1790	1800	1800	1800	1800	1800
		6.5	1800	1800	1800	1800	1655	1800	1800	1800	1800	1780	1800	1800	1800	1800	1800
F	5-15	1	1086	907	769	661	574	1197	999	847	727	632	1485	1238	1048	899	780
		2	1086	907	769	661	574	1197	999	847	727	632	1485	1238	1048	899	780
		3	1086	907	769	661	574	1197	999	847	727	632	1485	1238	1048	899	780
		4	1086	907	769	661	574	1197	999	847	727	632	1485	1238	1048	899	780
		5	1086	907	769	661	574	1197	999	847	727	632	1485	1238	1048	899	780
		6.5	1086	907	769	661	574	1197	999	847	727	632	1485	1238	1048	899	780
	>15-30	1	1392	1161	984	845	733	1536	1280	1084	930	807	1800	1588	1343	1151	998
		2	1392	1161	984	845	733	1536	1280	1084	930	807	1800	1588	1343	1151	998
		3	1392	1161	984	845	733	1536	1280	1084	930	807	1800	1588	1343	1151	998
		4	1392	1161	984	845	733	1536	1280	1084	930	807	1641	1588	1343	1151	998
		5	1392	1161	984	845	733	1460	1280	1084	930	807	1460	1460	1343	1151	998
		6.5	1253	1161	984	845	733	1253	1253	1084	930	807	1253	1253	1253	1151	998
	>30-45	1	1800	1521	1289	1106	960	1800	1676	1419	1218	1057	1800	1800	1758	1507	1307
		2	1800	1521	1289	1106	960	1800	1676	1419	1218	1057	1800	1800	1758	1507	1307
		3	1800	1521	1289	1106	960	1800	1676	1419	1218	1057	1800	1800	1758	1507	1307
		4	1654	1521	1289	1106	960	1654	1654	1419	1218	1057	1654	1654	1654	1507	1307
		5	1473	1473	1289	1106	960	1473	1473	1419	1218	1057	1473	1473	1473	1473	1307
		6.5	1265	1265	1265	1106	960	1265	1265	1265	1218	1057	1265	1265	1265	1265	1265
	>45-60	1	1799	1505	1277	1098	954	1800	1656	1405	1208	1049	1800	1800	1737	1491	1295
		2	1799	1505	1277	1098	954	1800	1656	1405	1208	1049	1800	1800	1737	1491	1295
		3	1799	1505	1277	1098	954	1800	1656	1405	1208	1049	1800	1800	1737	1491	1295
		4	1799	1505	1277	1098	954	1800	1656	1405	1208	1049	1800	1800	1737	1491	1295
		5	1799	1505	1277	1098	954	1800	1656	1405	1208	1049	1800	1800	1737	1491	1295
		6.5	1799	1505	1277	1098	954	1800	1656	1405	1208	1049	1800	1800	1737	1491	1295

Duo-Pitch Roof

Table 9.E Leveling Foot Max. Spacing, Landscape Orientation, Quick Mount New Roof Comp

Roof Zone	Roof Pitch	Terrain Category	All terrain categories less than 5km					All terrain categories more than 5km					Terrain Categories III+IV more than				
		Wind Speed	22	24	26	28	30	22	24	26	28	30	22	24	26	28	30
		Snow Zone															
G _{verge}	5-15	1	1464	1221	1034	887	770	1615	1346	1139	977	848	1800	1671	1412	1210	1048
		2	1464	1221	1034	887	770	1615	1346	1139	977	848	1800	1671	1412	1210	1048
		3	1464	1221	1034	887	770	1615	1346	1139	977	848	1800	1671	1412	1210	1048
		4	1464	1221	1034	887	770	1615	1346	1139	977	848	1800	1671	1412	1210	1048
		5	1464	1221	1034	887	770	1615	1346	1139	977	848	1800	1671	1412	1210	1048
		6.5	1464	1221	1034	887	770	1615	1346	1139	977	848	1800	1671	1412	1210	1048
	>15-30	1	1491	1243	1053	904	784	1646	1371	1160	995	863	1800	1702	1439	1232	1068
		2	1491	1243	1053	904	784	1646	1371	1160	995	863	1800	1702	1439	1232	1068
		3	1491	1243	1053	904	784	1646	1371	1160	995	863	1800	1702	1439	1232	1068
		4	1491	1243	1053	904	784	1641	1371	1160	995	863	1641	1641	1439	1232	1068
		5	1460	1243	1053	904	784	1460	1371	1160	995	863	1460	1460	1439	1232	1068
		6.5	1253	1243	1053	904	784	1253	1253	1160	995	863	1253	1253	1253	1232	1068
	>30-45	1	1800	1521	1289	1106	960	1800	1676	1419	1218	1057	1800	1800	1758	1507	1307
		2	1800	1521	1289	1106	960	1800	1676	1419	1218	1057	1800	1800	1758	1507	1307
		3	1800	1521	1289	1106	960	1800	1676	1419	1218	1057	1800	1800	1758	1507	1307
		4	1654	1521	1289	1106	960	1654	1654	1419	1218	1057	1654	1654	1654	1507	1307
		5	1473	1473	1289	1106	960	1473	1473	1419	1218	1057	1473	1473	1473	1473	1307
		6.5	1265	1265	1265	1106	960	1265	1265	1265	1218	1057	1265	1265	1265	1265	1265
	>45-60	1	1799	1505	1277	1098	954	1800	1656	1405	1208	1049	1800	1800	1737	1491	1295
		2	1799	1505	1277	1098	954	1800	1656	1405	1208	1049	1800	1800	1737	1491	1295
		3	1799	1505	1277	1098	954	1800	1656	1405	1208	1049	1800	1800	1737	1491	1295
		4	1799	1505	1277	1098	954	1800	1656	1405	1208	1049	1800	1800	1737	1491	1295
		5	1799	1505	1277	1098	954	1800	1656	1405	1208	1049	1800	1800	1737	1491	1295
		6.5	1799	1505	1277	1098	954	1800	1656	1405	1208	1049	1800	1800	1737	1491	1295
G _{eave}	5-15	1	1800	1544	1305	1119	970	1800	1704	1440	1233	1068	1800	1800	1789	1530	1324
		2	1800	1544	1305	1119	970	1800	1704	1440	1233	1068	1800	1800	1789	1530	1324
		3	1800	1544	1305	1119	970	1800	1704	1440	1233	1068	1800	1800	1789	1530	1324
		4	1800	1544	1305	1119	970	1800	1704	1440	1233	1068	1800	1800	1789	1530	1324
		5	1800	1544	1305	1119	970	1800	1704	1440	1233	1068	1800	1800	1789	1530	1324
		6.5	1800	1544	1305	1119	970	1800	1704	1440	1233	1068	1800	1800	1789	1530	1324
	>15-30	1	1800	1800	1800	1754	1516	1800	1800	1800	1800	1673	1800	1800	1800	1800	1800
		2	1800	1800	1800	1750	1516	1800	1800	1800	1800	1673	1800	1800	1800	1800	1800
		3	1800	1800	1800	1730	1516	1800	1800	1800	1790	1673	1800	1800	1800	1800	1800
		4	1641	1641	1641	1641	1516	1641	1641	1641	1641	1641	1641	1641	1641	1641	1641
		5	1460	1460	1460	1460	1460	1460	1460	1460	1460	1460	1460	1460	1460	1460	1460
		6.5	1253	1253	1253	1253	1253	1253	1253	1253	1253	1253	1253	1253	1253	1253	1253
	>30-45	1	1800	1800	1800	1780	1680	1800	1800	1800	1800	1750	1800	1800	1800	1800	1800
		2	1800	1800	1800	1760	1660	1800	1800	1800	1800	1730	1800	1800	1800	1800	1800
		3	1800	1800	1800	1740	1640	1800	1800	1800	1800	1710	1800	1800	1800	1800	1800
		4	1654	1654	1654	1654	1620	1654	1654	1654	1654	1654	1654	1654	1654	1654	1654
		5	1473	1473	1473	1473	1473	1473	1473	1473	1473	1473	1473	1473	1473	1473	1473
		6.5	1265	1265	1265	1265	1265	1265	1265	1265	1265	1265	1265	1265	1265	1265	1265
	>45-60	1	1800	1800	1800	1800	1740	1800	1800	1800	1800	1800	1800	1800	1800	1800	1800
		2	1800	1800	1800	1800	1740	1800	1800	1800	1800	1800	1800	1800	1800	1800	1800
		3	1800	1800	1800	1800	1730	1800	1800	1800	1800	1800	1800	1800	1800	1800	1800
		4	1800	1800	1800	1800	1730	1800	1800	1800	1800	1790	1800	1800	1800	1800	1800
		5	1800	1800	1800	1800	1720	1800	1800	1800	1800	1790	1800	1800	1800	1800	1800
		6.5	1800	1800	1800	1800	1710	1800	1800	1800	1800	1780	1800	1800	1800	1800	1800

Duo-Pitch Roof

Table 9.F Leveling Foot Max. Spacing, Landscape Orientation, Quick Mount New Roof Comp

Roof Zone	Roof Pitch	Terrain Category	All terrain categories less than 5km					All terrain categories more than 5km					Terrain Categories III+IV more than				
		Wind Speed	22	24	26	28	30	22	24	26	28	30	22	24	26	28	30
		Snow Zone															
J	5-15	1	1702	1417	1199	1028	892	1800	1563	1322	1133	982	1800	1800	1641	1405	1216
		2	1702	1417	1199	1028	892	1800	1563	1322	1133	982	1800	1800	1641	1405	1216
		3	1702	1417	1199	1028	892	1800	1563	1322	1133	982	1800	1800	1641	1405	1216
		4	1702	1417	1199	1028	892	1800	1563	1322	1133	982	1800	1800	1641	1405	1216
		5	1702	1417	1199	1028	892	1800	1563	1322	1133	982	1800	1800	1641	1405	1216
		6.5	1702	1417	1199	1028	892	1800	1563	1322	1133	982	1800	1800	1641	1405	1216
	>15-30	1	1739	1448	1225	1051	911	1800	1598	1351	1157	1003	1800	1800	1677	1435	1242
		2	1739	1448	1225	1051	911	1800	1598	1351	1157	1003	1800	1800	1677	1435	1242
		3	1739	1448	1225	1051	911	1800	1598	1351	1157	1003	1800	1800	1677	1435	1242
		4	1641	1448	1225	1051	911	1641	1598	1351	1157	1003	1641	1641	1641	1435	1242
		5	1460	1448	1225	1051	911	1460	1460	1351	1157	1003	1460	1460	1460	1435	1242
		6.5	1253	1253	1225	1051	911	1253	1253	1253	1157	1003	1253	1253	1253	1253	1242
	>30-45	1	1800	1800	1766	1512	1309	1800	1800	1800	1667	1443	1800	1800	1800	1800	1791
		2	1800	1800	1766	1512	1309	1800	1800	1800	1667	1443	1800	1800	1800	1800	1791
		3	1800	1800	1766	1512	1309	1800	1800	1800	1667	1443	1800	1800	1800	1800	1791
		4	1654	1654	1654	1512	1309	1654	1654	1654	1654	1443	1654	1654	1654	1654	1654
		5	1473	1473	1473	1473	1309	1473	1473	1473	1473	1443	1473	1473	1473	1473	1473
		6.5	1265	1265	1265	1265	1265	1265	1265	1265	1265	1265	1265	1265	1265	1265	1265
	>45-60	1	1800	1800	1800	1663	1443	1800	1800	1800	1800	1588	1800	1800	1800	1800	1800
		2	1800	1800	1800	1663	1443	1800	1800	1800	1800	1588	1800	1800	1800	1800	1800
		3	1800	1800	1800	1663	1443	1800	1800	1800	1800	1588	1800	1800	1800	1800	1800
		4	1800	1800	1800	1663	1443	1800	1800	1800	1800	1588	1800	1800	1800	1800	1800
		5	1800	1800	1800	1663	1443	1800	1800	1800	1800	1588	1800	1800	1800	1800	1800
		6.5	1800	1800	1800	1663	1443	1800	1800	1800	1800	1588	1800	1800	1800	1800	1800

Flat or Mono-pitch Roof

Table 10.A Leveling Foot Max. Spacing, Portrait Orientation, Quick Mount New Roof Comp

Roof Zone	Roof Pitch	Terrain Category	All terrain categories less than 5km					All terrain categories more than 5km					Terrain Categories III+IV more than				
		Wind Speed	22	24	26	28	30	22	24	26	28	30	22	24	26	28	30
		Snow Zone															
H	0-15	1	1499	1243	1048	897	776	1660	1374	1158	989	856	1800	1719	1444	1232	1063
		2	1499	1243	1048	897	776	1660	1374	1158	989	856	1800	1719	1444	1232	1063
		3	1499	1243	1048	897	776	1660	1374	1158	989	856	1800	1719	1444	1232	1063
		4	1499	1243	1048	897	776	1660	1374	1158	989	856	1800	1719	1444	1232	1063
		5	1499	1243	1048	897	776	1660	1374	1158	989	856	1800	1719	1444	1232	1063
		6.5	1499	1243	1048	897	776	1660	1374	1158	989	856	1800	1719	1444	1232	1063
	>15-30	1	1328	1104	933	799	693	1467	1219	1029	881	763	1800	1519	1280	1094	946
		2	1328	1104	933	799	693	1467	1219	1029	881	763	1779	1519	1280	1094	946
		3	1328	1104	933	799	693	1467	1219	1029	881	763	1546	1519	1280	1094	946
		4	1328	1104	933	799	693	1367	1219	1029	881	763	1367	1367	1280	1094	946
		5	1226	1104	933	799	693	1226	1219	1029	881	763	1226	1226	1226	1094	946
		6.5	1061	1061	933	799	693	1061	1061	1029	881	763	1061	1061	1061	1061	946
	>30-45	1	1312	1093	925	794	688	1448	1205	1020	874	758	1800	1498	1265	1083	938
		2	1312	1093	925	794	688	1448	1205	1020	874	758	1784	1498	1265	1083	938
		3	1312	1093	925	794	688	1448	1205	1020	874	758	1553	1498	1265	1083	938
		4	1312	1093	925	794	688	1375	1205	1020	874	758	1375	1375	1265	1083	938
		5	1234	1093	925	794	688	1234	1205	1020	874	758	1234	1234	1234	1083	938
		6.5	1069	1069	925	794	688	1069	1069	1020	874	758	1069	1069	1069	1069	938
	>45-60	1	1368	1140	965	827	717	1511	1257	1063	911	790	1800	1563	1319	1129	978
		2	1368	1140	965	827	717	1511	1257	1063	911	790	1800	1563	1319	1129	978
		3	1368	1140	965	827	717	1511	1257	1063	911	790	1800	1563	1319	1129	978
		4	1368	1140	965	827	717	1511	1257	1063	911	790	1800	1563	1319	1129	978
		5	1368	1140	965	827	717	1511	1257	1063	911	790	1759	1563	1319	1129	978
		6.5	1368	1140	965	827	717	1511	1257	1063	911	790	1570	1563	1319	1129	978
F _{up}	0-15	1	492	N/A	N/A	N/A	N/A	542	N/A	N/A	N/A	N/A	670	560	460	N/A	N/A
		2	492	N/A	N/A	N/A	N/A	542	N/A	N/A	N/A	N/A	670	560	460	N/A	N/A
		3	492	N/A	N/A	N/A	N/A	542	N/A	N/A	N/A	N/A	670	560	460	N/A	N/A
		4	492	N/A	N/A	N/A	N/A	542	N/A	N/A	N/A	N/A	670	560	460	N/A	N/A
		5	492	N/A	N/A	N/A	N/A	542	N/A	N/A	N/A	N/A	670	560	460	N/A	N/A
		6.5	492	N/A	N/A	N/A	N/A	542	N/A	N/A	N/A	N/A	670	560	460	N/A	N/A
	>15-30	1	504	N/A	N/A	N/A	N/A	555	400	N/A	N/A	N/A	687	573	486	N/A	N/A
		2	504	N/A	N/A	N/A	N/A	555	400	N/A	N/A	N/A	687	573	486	N/A	N/A
		3	504	N/A	N/A	N/A	N/A	555	400	N/A	N/A	N/A	687	573	486	N/A	N/A
		4	504	N/A	N/A	N/A	N/A	555	400	N/A	N/A	N/A	687	573	486	N/A	N/A
		5	504	N/A	N/A	N/A	N/A	555	400	N/A	N/A	N/A	687	573	486	N/A	N/A
		6.5	504	N/A	N/A	N/A	N/A	555	400	N/A	N/A	N/A	687	573	486	N/A	N/A
	>30-45	1	766	640	543	410	N/A	844	705	597	513	N/A	1048	873	739	634	550
		2	766	640	543	410	N/A	844	705	597	513	N/A	1048	873	739	634	550
		3	766	640	543	410	N/A	844	705	597	513	N/A	1048	873	739	634	550
		4	766	640	543	410	N/A	844	705	597	513	N/A	1048	873	739	634	550
		5	766	640	543	410	N/A	844	705	597	513	N/A	1048	873	739	634	550
		6.5	766	640	543	410	N/A	844	705	597	513	N/A	1048	873	739	634	550
	>45-60	1	871	727	617	530	N/A	959	801	679	584	507	1189	992	840	721	626
		2	871	727	617	530	N/A	959	801	679	584	507	1189	992	840	721	626
		3	871	727	617	530	N/A	959	801	679	584	507	1189	992	840	721	626
		4	871	727	617	530	N/A	959	801	679	584	507	1189	992	840	721	626
		5	871	727	617	530	N/A	959	801	679	584	507	1189	992	840	721	626
		6.5	871	727	617	530	N/A	959	801	679	584	507	1189	992	840	721	626

Flat or Mono-pitch Roof

Table 10.B Leveling Foot Max. Spacing, Portrait Orientation, Quick Mount New Roof Comp

Roof Zone	Roof Pitch	Terrain Category	All terrain categories less than 5km					All terrain categories more than 5km					Terrain Categories III+IV more than				
		Wind Speed	22	24	26	28	30	22	24	26	28	30	22	24	26	28	30
		Snow Zone															
F _{low}	0-15	1	646	539	N/A	N/A	N/A	712	594	503	N/A	N/A	883	736	623	534	400
		2	646	539	N/A	N/A	N/A	712	594	503	N/A	N/A	883	736	623	534	400
		3	646	539	N/A	N/A	N/A	712	594	503	N/A	N/A	883	736	623	534	400
		4	646	539	N/A	N/A	N/A	712	594	503	N/A	N/A	883	736	623	534	400
		5	646	539	N/A	N/A	N/A	712	594	503	N/A	N/A	883	736	623	534	400
		6.5	646	539	N/A	N/A	N/A	712	594	503	N/A	N/A	883	736	623	534	400
	>15-30	1	824	687	582	500	N/A	909	758	641	550	470	1130	940	795	681	590
		2	824	687	582	500	N/A	909	758	641	550	470	1130	940	795	681	590
		3	824	687	582	500	N/A	909	758	641	550	470	1130	940	795	681	590
		4	824	687	582	500	N/A	909	758	641	550	470	1130	940	795	681	590
		5	824	687	582	500	N/A	909	758	641	550	470	1130	940	795	681	590
		6.5	824	687	582	500	N/A	909	758	641	550	470	1061	940	795	681	590
	>30-45	1	997	832	705	606	526	1099	917	777	667	579	1365	1136	962	825	715
		2	997	832	705	606	526	1099	917	777	667	579	1365	1136	962	825	715
		3	997	832	705	606	526	1099	917	777	667	579	1365	1136	962	825	715
		4	997	832	705	606	526	1099	917	777	667	579	1365	1136	962	825	715
		5	997	832	705	606	526	1099	917	777	667	579	1234	1136	962	825	715
		6.5	997	832	705	606	526	1069	917	777	667	579	1069	1069	962	825	715
	>45-60	1	1001	836	709	609	529	1104	921	781	670	582	1371	1142	966	829	719
		2	1001	836	709	609	529	1104	921	781	670	582	1371	1142	966	829	719
		3	1001	836	709	609	529	1104	921	781	670	582	1371	1142	966	829	719
		4	1001	836	709	609	529	1104	921	781	670	582	1371	1142	966	829	719
		5	1001	836	709	609	529	1104	921	781	670	582	1371	1142	966	829	719
		6.5	1001	836	709	609	529	1104	921	781	670	582	1371	1142	966	829	719
G@0	0-15	1	937	781	661	567	492	1035	861	728	624	541	1289	1071	904	774	670
		2	937	781	661	567	492	1035	861	728	624	541	1289	1071	904	774	670
		3	937	781	661	567	492	1035	861	728	624	541	1289	1071	904	774	670
		4	937	781	661	567	492	1035	861	728	624	541	1289	1071	904	774	670
		5	937	781	661	567	492	1035	861	728	624	541	1289	1071	904	774	670
		6.5	937	781	661	567	492	1035	861	728	624	541	1289	1071	904	774	670
	>15-30	1	1751	1449	1220	1042	901	1800	1604	1349	1151	995	1800	1800	1686	1436	1238
		2	1751	1449	1220	1042	901	1779	1604	1349	1151	995	1779	1779	1686	1436	1238
		3	1546	1449	1220	1042	901	1546	1546	1349	1151	995	1546	1546	1546	1436	1238
		4	1367	1367	1220	1042	901	1367	1367	1349	1151	995	1367	1367	1367	1367	1238
		5	1226	1226	1220	1042	901	1226	1226	1226	1151	995	1226	1226	1226	1226	1226
		6.5	1061	1061	1061	1042	901	1061	1061	1061	1061	995	1061	1061	1061	1061	1061
	>30-45	1	1800	1770	1620	1450	1280	1800	1800	1710	1560	1400	1800	1800	1800	1760	1630
		2	1784	1750	1590	1430	1260	1784	1784	1690	1540	1380	1784	1784	1784	1740	1610
		3	1553	1553	1553	1410	1230	1553	1553	1553	1510	1350	1553	1553	1553	1553	1553
		4	1375	1375	1375	1375	1210	1375	1375	1375	1375	1330	1375	1375	1375	1375	1375
		5	1234	1234	1234	1234	1180	1234	1234	1234	1234	1234	1234	1234	1234	1234	1234
		6.5	1069	1069	1069	1069	1069	1069	1069	1069	1069	1069	1069	1069	1069	1069	1069
	>45-60	1	1800	1800	1700	1540	1360	1800	1800	1790	1640	1480	1800	1800	1800	1800	1710
		2	1800	1800	1690	1530	1350	1800	1800	1780	1630	1470	1800	1800	1800	1800	1710
		3	1800	1800	1680	1520	1350	1800	1800	1780	1630	1470	1800	1800	1800	1800	1700
		4	1800	1800	1680	1510	1340	1800	1800	1770	1620	1460	1800	1800	1800	1800	1690
		5	1759	1759	1670	1510	1330	1759	1759	1759	1610	1450	1759	1759	1759	1759	1680
		6.5	1570	1570	1570	1490	1320	1570	1570	1570	1570	1440	1570	1570	1570	1570	1570

Flat or Mono-pitch Roof

Table 10.C Leveling Foot Max. Spacing, Portrait Orientation, Quick Mount New Roof Comp

Roof Zone	Roof Pitch	Terrain Category	All terrain categories less than 5km					All terrain categories more than 5km					Terrain Categories III+IV more than				
		Wind Speed	22	24	26	28	30	22	24	26	28	30	22	24	26	28	30
		Snow Zone															
G@90	0-15	1	937	781	661	567	492	1035	861	728	624	541	1289	1071	904	774	670
		2	937	781	661	567	492	1035	861	728	624	541	1289	1071	904	774	670
		3	937	781	661	567	492	1035	861	728	624	541	1289	1071	904	774	670
		4	937	781	661	567	492	1035	861	728	624	541	1289	1071	904	774	670
		5	937	781	661	567	492	1035	861	728	624	541	1289	1071	904	774	670
		6.5	937	781	661	567	492	1035	861	728	624	541	1289	1071	904	774	670
	>15-30	1	1094	912	771	662	574	1208	1005	850	729	632	1505	1250	1055	903	782
		2	1094	912	771	662	574	1208	1005	850	729	632	1505	1250	1055	903	782
		3	1094	912	771	662	574	1208	1005	850	729	632	1505	1250	1055	903	782
		4	1094	912	771	662	574	1208	1005	850	729	632	1367	1250	1055	903	782
		5	1094	912	771	662	574	1208	1005	850	729	632	1226	1226	1055	903	782
		6.5	1061	912	771	662	574	1061	1005	850	729	632	1061	1061	1055	903	782
	>30-45	1	1084	904	766	658	571	1195	996	844	724	628	1485	1236	1045	896	777
		2	1084	904	766	658	571	1195	996	844	724	628	1485	1236	1045	896	777
		3	1084	904	766	658	571	1195	996	844	724	628	1485	1236	1045	896	777
		4	1084	904	766	658	571	1195	996	844	724	628	1375	1236	1045	896	777
		5	1084	904	766	658	571	1195	996	844	724	628	1234	1234	1045	896	777
		6.5	1069	904	766	658	571	1069	996	844	724	628	1069	1069	1045	896	777
	>45-60	1	1070	894	759	653	567	1178	985	835	718	624	1459	1218	1032	887	770
		2	1070	894	759	653	567	1178	985	835	718	624	1459	1218	1032	887	770
		3	1070	894	759	653	567	1178	985	835	718	624	1459	1218	1032	887	770
		4	1070	894	759	653	567	1178	985	835	718	624	1459	1218	1032	887	770
		5	1070	894	759	653	567	1178	985	835	718	624	1459	1218	1032	887	770
		6.5	1070	894	759	653	567	1178	985	835	718	624	1459	1218	1032	887	770
G@180	0-15	1	937	781	661	567	492	1035	861	728	624	541	1289	1071	904	774	670
		2	937	781	661	567	492	1035	861	728	624	541	1289	1071	904	774	670
		3	937	781	661	567	492	1035	861	728	624	541	1289	1071	904	774	670
		4	937	781	661	567	492	1035	861	728	624	541	1289	1071	904	774	670
		5	937	781	661	567	492	1035	861	728	624	541	1289	1071	904	774	670
		6.5	937	781	661	567	492	1035	861	728	624	541	1289	1071	904	774	670
	>15-30	1	1328	1104	933	799	693	1467	1219	1029	881	763	1800	1519	1280	1094	946
		2	1328	1104	933	799	693	1467	1219	1029	881	763	1779	1519	1280	1094	946
		3	1328	1104	933	799	693	1467	1219	1029	881	763	1546	1519	1280	1094	946
		4	1328	1104	933	799	693	1367	1219	1029	881	763	1367	1367	1280	1094	946
		5	1226	1104	933	799	693	1226	1219	1029	881	763	1226	1226	1226	1094	946
		6.5	1061	1061	933	799	693	1061	1061	1029	881	763	1061	1061	1061	1061	946
	>30-45	1	1346	1119	946	810	702	1488	1236	1043	893	774	1800	1540	1297	1109	959
		2	1346	1119	946	810	702	1488	1236	1043	893	774	1784	1540	1297	1109	959
		3	1346	1119	946	810	702	1488	1236	1043	893	774	1553	1540	1297	1109	959
		4	1346	1119	946	810	702	1375	1236	1043	893	774	1375	1375	1297	1109	959
		5	1234	1119	946	810	702	1234	1234	1043	893	774	1234	1234	1234	1109	959
		6.5	1069	1069	946	810	702	1069	1069	1043	893	774	1069	1069	1069	1069	959
	>45-60	1	1675	1393	1177	1008	874	1800	1537	1298	1111	963	1800	1800	1615	1380	1194
		2	1675	1393	1177	1008	874	1800	1537	1298	1111	963	1800	1800	1615	1380	1194
		3	1675	1393	1177	1008	874	1800	1537	1298	1111	963	1800	1800	1615	1380	1194
		4	1675	1393	1177	1008	874	1800	1537	1298	1111	963	1800	1800	1615	1380	1194
		5	1675	1393	1177	1008	874	1759	1537	1298	1111	963	1759	1759	1615	1380	1194
		6.5	1570	1393	1177	1008	874	1570	1537	1298	1111	963	1570	1570	1570	1380	1194

Duo-Pitch Roof

Table 10.D Leveling Foot Max. Spacing, Portrait Orientation, Quick Mount New Roof Comp

Roof Zone	Roof Pitch	Terrain Category	All terrain categories less than 5km					All terrain categories more than 5km					Terrain Categories III+IV more than				
		Wind Speed	22	24	26	28	30	22	24	26	28	30	22	24	26	28	30
		Snow Zone															
H	5-15	1	1800	1800	1620	1380	1190	1800	1800	1795	1526	1315	1800	1800	1800	1800	1644
		2	1800	1800	1620	1380	1190	1800	1800	1795	1526	1315	1800	1800	1800	1800	1644
		3	1800	1800	1620	1380	1190	1800	1800	1795	1526	1315	1800	1800	1800	1800	1644
		4	1800	1800	1620	1380	1190	1800	1800	1795	1526	1315	1800	1800	1800	1800	1644
		5	1800	1800	1620	1380	1190	1800	1800	1795	1526	1315	1800	1800	1800	1800	1644
		6.5	1800	1800	1620	1380	1190	1800	1800	1795	1526	1315	1800	1800	1800	1800	1644
	>15-30	1	1551	1551	1551	1369	1182	1551	1551	1551	1500	1305	1551	1551	1551	1551	1551
		2	1296	1296	1296	1296	1182	1296	1296	1296	1296	1296	1296	1296	1296	1296	1296
		3	1113	1113	1113	1113	1113	1113	1113	1113	1113	1113	1113	1113	1113	1113	1113
		4	975	975	975	975	975	975	975	975	975	975	975	975	975	975	975
		5	868	868	868	868	868	868	868	868	868	868	868	868	868	868	868
		6.5	745	745	745	745	745	745	745	745	745	745	745	745	745	745	745
	>30-45	1	1558	1558	1558	1352	1169	1558	1558	1558	1493	1290	1558	1558	1558	1558	1558
		2	1304	1304	1304	1304	1169	1304	1304	1304	1304	1290	1304	1304	1304	1304	1304
		3	1121	1121	1121	1121	1121	1121	1121	1121	1121	1121	1121	1121	1121	1121	1121
		4	983	983	983	983	983	983	983	983	983	983	983	983	983	983	983
		5	876	876	876	876	876	876	876	876	876	876	876	876	876	876	876
		6.5	752	752	752	752	752	752	752	752	752	752	752	752	752	752	752
	>45-60	1	1800	1562	1322	1134	984	1800	1723	1457	1249	1083	1800	1800	1800	1548	1341
		2	1800	1562	1322	1134	984	1800	1723	1457	1249	1083	1800	1800	1800	1548	1341
		3	1631	1562	1322	1134	984	1631	1631	1457	1249	1083	1631	1631	1631	1548	1341
		4	1468	1468	1322	1134	984	1468	1468	1457	1249	1083	1468	1468	1468	1468	1341
		5	1334	1334	1322	1134	984	1334	1334	1334	1249	1083	1334	1334	1334	1334	1334
		6.5	1173	1173	1173	1134	984	1173	1173	1173	1173	1083	1173	1173	1173	1173	1173
F	5-15	1	646	539	N/A	N/A	N/A	711	594	503	N/A	N/A	883	736	623	534	400
		2	646	539	N/A	N/A	N/A	711	594	503	N/A	N/A	883	736	623	534	400
		3	646	539	N/A	N/A	N/A	711	594	503	N/A	N/A	883	736	623	534	400
		4	646	539	N/A	N/A	N/A	711	594	503	N/A	N/A	883	736	623	534	400
		5	646	539	N/A	N/A	N/A	711	594	503	N/A	N/A	883	736	623	534	400
		6.5	646	539	N/A	N/A	N/A	711	594	503	N/A	N/A	883	736	623	534	400
	>15-30	1	828	690	585	502	N/A	913	761	644	553	480	1135	944	798	684	593
		2	828	690	585	502	N/A	913	761	644	553	480	1135	944	798	684	593
		3	828	690	585	502	N/A	913	761	644	553	480	1113	944	798	684	593
		4	828	690	585	502	N/A	913	761	644	553	480	975	944	798	684	593
		5	828	690	585	502	N/A	868	761	644	553	480	868	868	798	684	593
		6.5	745	690	585	502	N/A	745	745	644	553	480	745	745	745	684	593
	>30-45	1	1084	904	766	658	571	1195	996	844	724	628	1485	1236	1045	896	777
		2	1084	904	766	658	571	1195	996	844	724	628	1304	1236	1045	896	777
		3	1084	904	766	658	571	1121	996	844	724	628	1121	1121	1045	896	777
		4	983	904	766	658	571	983	983	844	724	628	983	983	983	896	777
		5	876	876	766	658	571	876	876	844	724	628	876	876	876	876	777
		6.5	752	752	752	658	571	752	752	752	724	628	752	752	752	752	752
	>45-60	1	1070	894	759	653	567	1178	985	835	718	624	1459	1218	1032	887	770
		2	1070	894	759	653	567	1178	985	835	718	624	1459	1218	1032	887	770
		3	1070	894	759	653	567	1178	985	835	718	624	1459	1218	1032	887	770
		4	1070	894	759	653	567	1178	985	835	718	624	1459	1218	1032	887	770
		5	1070	894	759	653	567	1178	985	835	718	624	1334	1218	1032	887	770
		6.5	1070	894	759	653	567	1173	985	835	718	624	1173	1173	1032	887	770

Duo-Pitch Roof

Table 10.F Leveling Foot Max. Spacing, Portrait Orientation, Quick Mount New Roof Comp

Roof Zone	Roof Pitch	Terrain Category	All terrain categories less than 5km					All terrain categories more than 5km					Terrain Categories III+IV more than				
		Wind Speed	22	24	26	28	30	22	24	26	28	30	22	24	26	28	30
		Snow Zone															
J	5-15	1	1012	843	713	611	530	1117	929	786	674	584	1393	1156	976	835	723
		2	1012	843	713	611	530	1117	929	786	674	584	1393	1156	976	835	723
		3	1012	843	713	611	530	1117	929	786	674	584	1393	1156	976	835	723
		4	1012	843	713	611	530	1117	929	786	674	584	1393	1156	976	835	723
		5	1012	843	713	611	530	1117	929	786	674	584	1393	1156	976	835	723
		6.5	1012	843	713	611	530	1117	929	786	674	584	1393	1156	976	835	723
	>15-30	1	1034	861	728	624	541	1142	950	803	688	596	1424	1181	997	853	739
		2	1034	861	728	624	541	1142	950	803	688	596	1296	1181	997	853	739
		3	1034	861	728	624	541	1113	950	803	688	596	1113	1113	997	853	739
		4	975	861	728	624	541	975	950	803	688	596	975	975	975	853	739
		5	868	861	728	624	541	868	868	803	688	596	868	868	868	853	739
		6.5	745	745	728	624	541	745	745	745	688	596	745	745	745	745	739
	>30-45	1	1497	1243	1050	899	778	1558	1373	1159	991	858	1558	1558	1443	1232	1065
		2	1304	1243	1050	899	778	1304	1304	1159	991	858	1304	1304	1304	1232	1065
		3	1121	1121	1050	899	778	1121	1121	1121	991	858	1121	1121	1121	1121	1065
		4	983	983	983	899	778	983	983	983	983	858	983	983	983	983	983
		5	876	876	876	876	778	876	876	876	876	858	876	876	876	876	876
		6.5	752	752	752	752	752	752	752	752	752	752	752	752	752	752	752
	>45-60	1	1630	1359	1152	988	858	1798	1498	1269	1088	944	1800	1800	1572	1347	1168
		2	1630	1359	1152	988	858	1798	1498	1269	1088	944	1800	1800	1572	1347	1168
		3	1630	1359	1152	988	858	1631	1498	1269	1088	944	1631	1631	1572	1347	1168
		4	1468	1359	1152	988	858	1468	1468	1269	1088	944	1468	1468	1468	1347	1168
		5	1334	1334	1152	988	858	1334	1334	1269	1088	944	1334	1334	1334	1334	1168
		6.5	1173	1173	1152	988	858	1173	1173	1173	1088	944	1173	1173	1173	1173	1168